

# Direct drive gear pump-motor units DGD09 series



Find out more

The DGD09 series direct drive gear pumps derive from the well established mag drive MG200 series.

Built to handle clean water and relatively viscous fluids at low pressure, the DGD09 series pump-motor unit has low pulsation and is capable of handling fluids at a maximum temperature of 70 °C (158 F). The extreme compactness of its design makes it the preferred choice where space is limited. Suction/discharge ports are 8 mm barbed end.

Motor version (brush type):

- 1550 rpm, 24 V DC
- 3200 rpm, 24 V DC
- 3900 rpm, 24 V DC



## MAIN APPLICATIONS

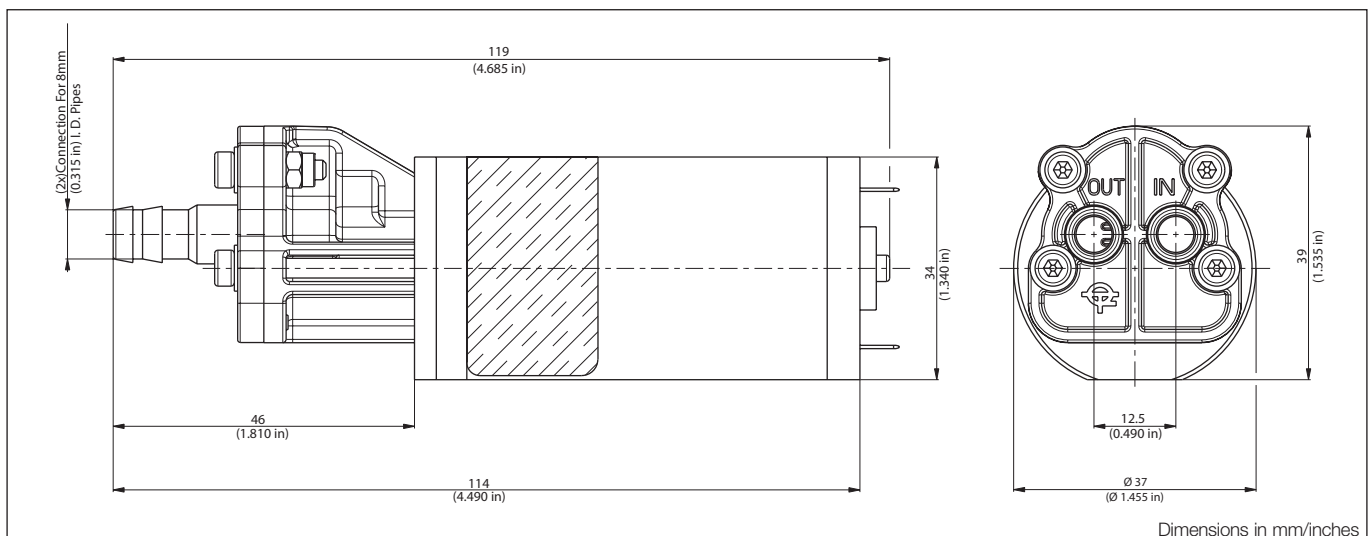
- Water purification
- Laser cooling
- Spraying
- Water recirculation
- Condensation removal
- Syrup dispensing
- Vending machines
- Food processing
- Digital macro printing



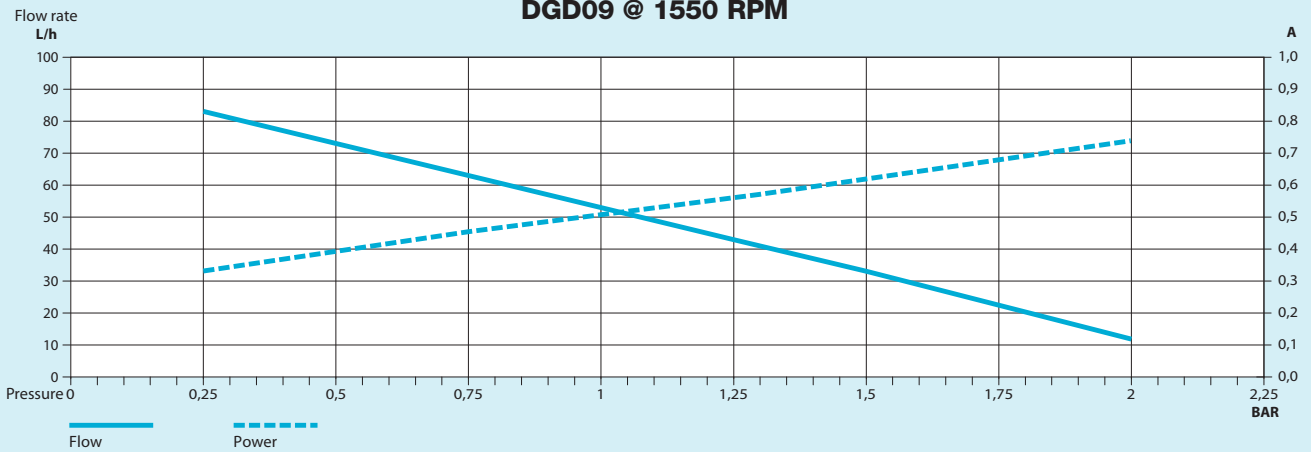
## MODEL NUMBER MATRIX

MODEL NUMBER MATRIX					POS	DESCRIPTION	CODE	
<b>Position</b>	<b>1</b>	<b>2</b>	<b>3</b>	<b>4</b>	<b>Customiz.</b>	<b>1</b>	Pump series	<b>DGD</b> = direct drive
<b>Code</b>	<b>DGD</b>	<b>09</b>	<b>N</b>	<b>A01</b>	<b>0000</b>	<b>2</b>	Gears width	<b>09</b> = 9 mm *
						<b>3</b>	Elastic material	<b>N</b> = NBR <b>V</b> = VITON
						<b>4</b>	Motor	<b>A01</b> = 1550 rpm <b>A02</b> = 3200 rpm <b>A03</b> = 3900 rpm

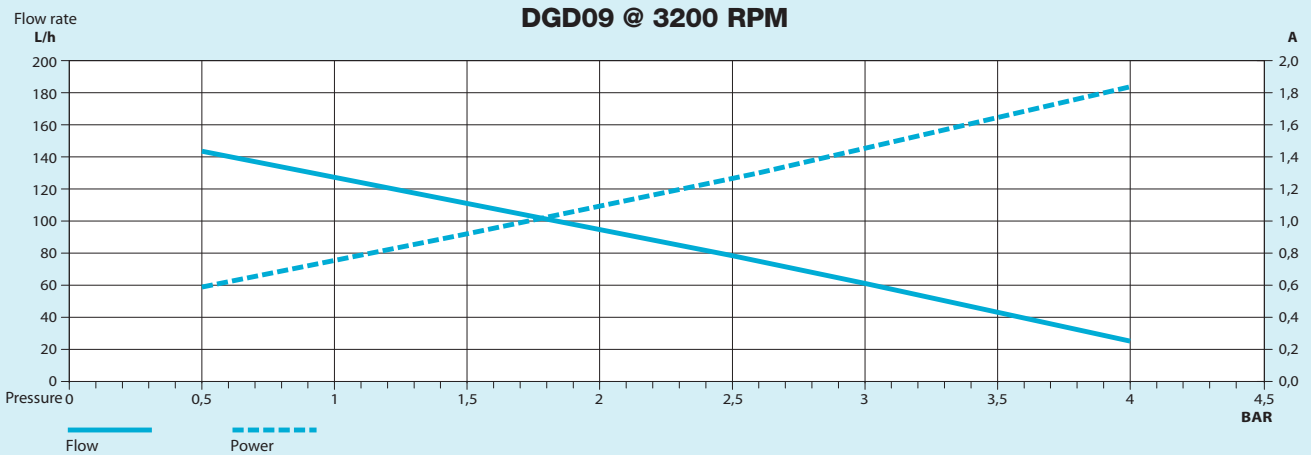
\* 4 mm gears version available upon request



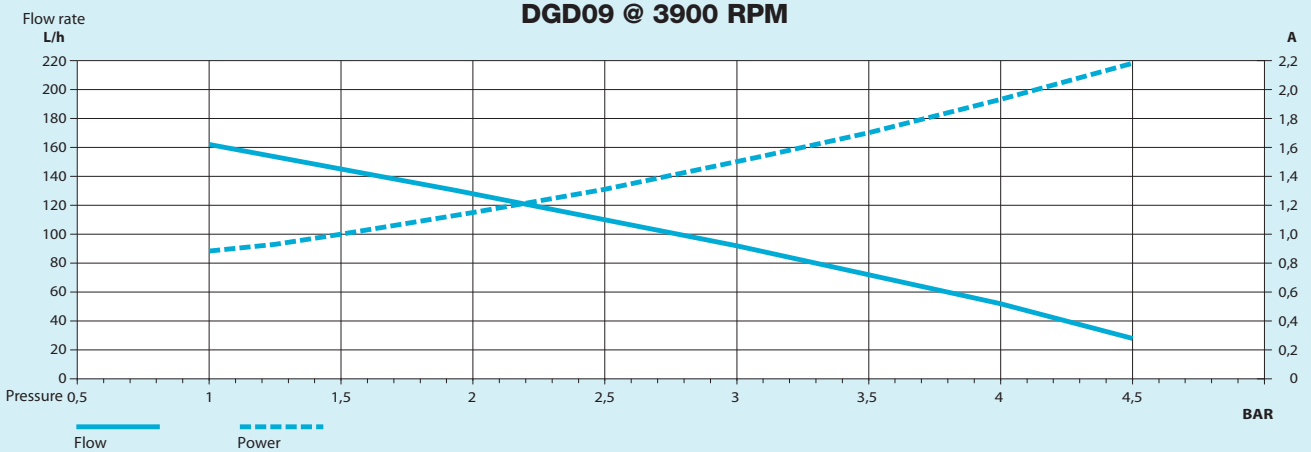
**DGD09 @ 1550 RPM**



**DGD09 @ 3200 RPM**



**DGD09 @ 3900 RPM**



Note: Characteristics with water at 20 °C (68 F). Weight: 0,36 kg (0,79 Lb).  
For applications involving other fluids, high temperatures or unusual processing conditions, please consult the factory or an authorized Fluid-o-Tech distributor.

Fluid-o-Tech reserves the right to alter the specifications indicated in this catalogue at any time and without prior notice.

**Fluid-o-Tech srl**  
Via Leonardo da Vinci, 40  
20094 Corsico, Milano, Italy  
Tel. +39 02 8917071  
Fax +39 02 89170799  
info@fluidotech.it

**Fluid-o-Tech Int'l Inc.**  
161 Atwater St.,  
06479 Plantsville CT (USA)  
Tel. +1 (860) 276-9270  
Fax +1 (860) 620-0193  
info@fluid-o-tech.com

**Fluid-o-Tech Int'l Inc. Japan**  
203, 2-17-19, Ebara, Shinagawa  
Tokyo 142-0063, Japan  
Tel. +81 (0) (3) 3783-9660  
Fax +81 (0) (3) 3783-9661  
k.kato@fluidotech.com

**Fluid-o-Tech Asia (Beijing) Co., Ltd**  
Jingwei Industrial Zone,  
Beifang Huairou, Beijing, 101400, PRC  
Tel. +86 (0) (10) 61684650  
Fax +86 (0) (10) 61684651  
info@fluidotech-asia.com