

Fluid-o-Tech stainless steel rotary vane pumps



Inlet and outlet ports are 3/8" GAS or NPT threaded.

A built-in adjustable bypass to protect the pump and the system from unexpected pressure spikes is also available upon request. The pump can be connected to direct coupling motors with a stainless steel clamp or to M71 and M80 UNELMEC or NEMA 56C frame motors with the Fluid-o-Tech coupling and adapter set.

Maximum operative temperature: 70 °C (158 °F).

Available upon request:

- Viton®/EPDM seals (suffix - V/E)



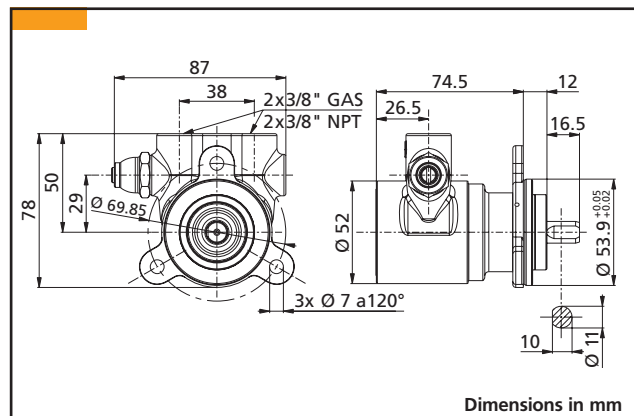
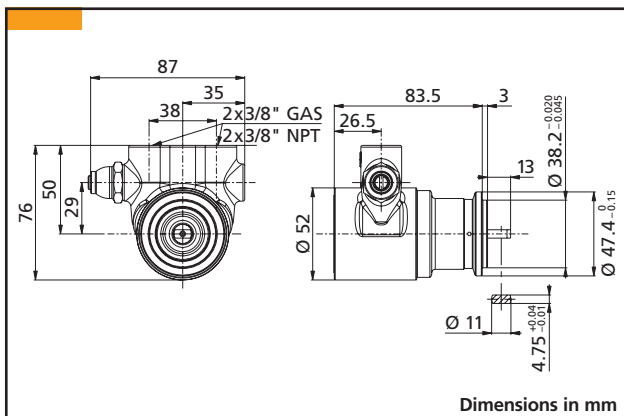
The rotary vane pumps, manufactured by Fluid-o-Tech and sold worldwide under the trademark Rotoflow, are volumetric pumps designed for pumping water and aggressive liquids with low flow at high pressure.

Technical features and manufacturing characteristics

The housing and the rotor are in stainless steel AISI 303, while the pumping chamber and the vanes are in graphitic carbon.

Main applications

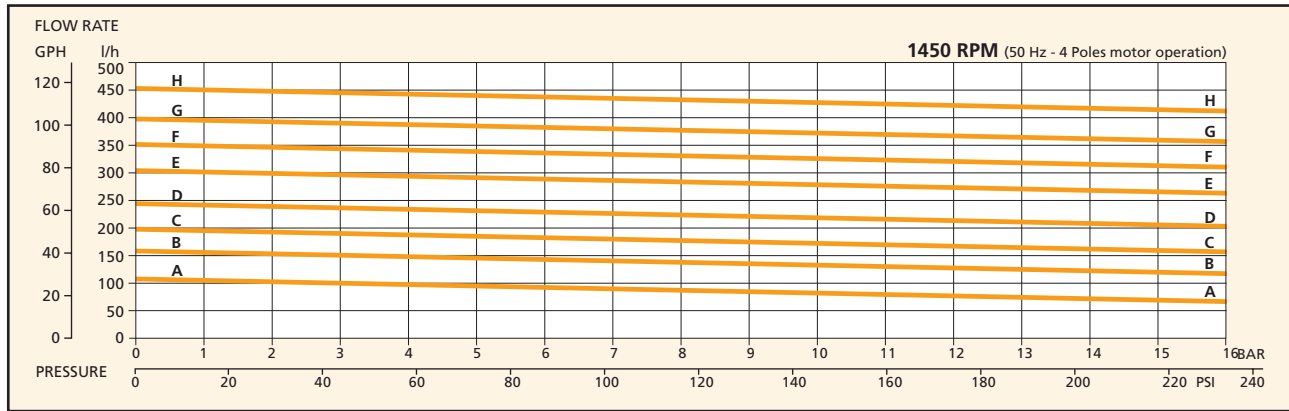
- Soda circulation in post-mix drink dispensers
- Cooling systems
- Reverse osmosis
- Ultra-filtration
- Booster systems



Fluid-o-Tech stainless steel rotary vane pumps

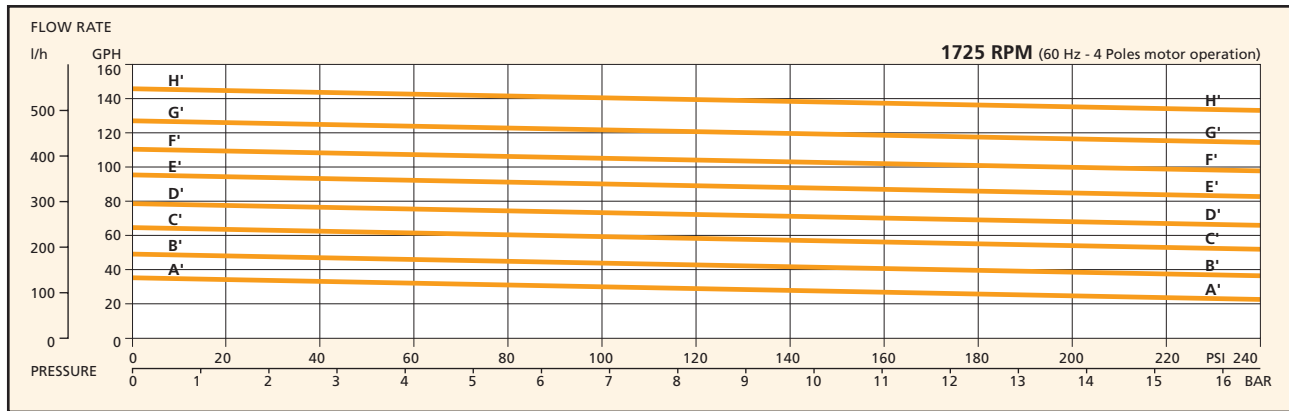
MODEL PO/PA	0710	0711	0711F	110	111	111F	1510	1511	1511F	210	211	211F	
Flow (l/h) at 2 BAR		100			150			190			236		
Flow (l/h) at 7 BAR		89			139			179			225		
Flow (l/h) at 14 BAR		70			120			160			206		
Figure		A-A			B-B			C-C			D-D		
Mount	Clamp	Clamp	Flange	Clamp	Clamp	Flange	Clamp	Clamp	Flange	Clamp	Clamp	Flange	
Bypass	NO	YES	YES	NO	YES	YES	NO	YES	YES	NO	YES	YES	

MODEL PO/PA	2510	2511	2511F	310	311	311F	3500	3501	3511F	410	411	411F	
Flow (l/h) at 2 BAR		295			345			390			445		
Flow (l/h) at 7 BAR		284			334			379			434		
Flow (l/h) at 14 BAR		265			315			360			415		
Figure		E-E			F-F			G-G			H-H		



<MODEL PO/PA	0710	0711	0711F	110	111	111F	1510	1511	1511F	210	211	211F	
Flow (GPH) at 20 PSI		34			49			64			78		
Flow (GPH) at 100 PSI		30			45			60			74		
Flow (GPH) at 200 PSI		24			39			54			68		
Figure		A'-A'			B'-B'			C'-C'			D'-D'		
Mount	Clamp	Clamp	Flange	Clamp	Clamp	Flange	Clamp	Clamp	Flange	Clamp	Clamp	Flange	
Bypass	NO	YES	YES	NO	YES	YES	NO	YES	YES	NO	YES	YES	

MODEL PO/PA	2510	2511	2511F	310	311	311F	3500	3501	3511F	410	411	411F	
Flow (GPH) at 20 PSI		95			111			127			144		
Flow (GPH) at 100 PSI		91			107			123			140		
Flow (GPH) at 200 PSI		85			101			117			134		
Figure		E'-E'			F'-F'			G'-G'			H'-H'		



Pump weight: 1,1 kg / 2,5 Lbs (clamp mount) 1,2 kg / 2,7 Lbs (flange mount) - Characteristics at constant motor speed, water at 20 °C (68 °F) and bypass blocked.
 For applications involving other fluids, high temperatures or unusual processing conditions, please consult the factory or an authorized distributor.

Fluid-o-Tech reserves the right to alter the specifications indicated in this catalogue at any time and without prior notice.

PO-S - 03/09 Ed.

Fluid-o-Tech srl
 Via Leonardo da Vinci, 40
 20094 Corsico, Milano, Italy
 Tel. +39 02 8917071
 Fax +39 02 89170799

Fluid-o-Tech Int'l Inc.
 161 Atwater St.,
 Plantsville CT (USA) 06479
 Tel. +1 (860) 276-9270
 Fax +1 (860) 620-0193

Fluid-o-Tech Int'l Inc. Japan
 203, 2-17-19, Ebara, Shinagawa
 Tokyo 142-0063, Japan
 Tel. +81 (0) (3) 3783-9660
 Fax +81 (0) (3) 3783-9661

Fluid-o-Tech Asia (Beijing) Co., Ltd
 Jingwei Industrial Zone,
 Beifang Huairou, Beijing, 101400, PRC
 Tel. +86 (0) (10) 61684650
 Fax +86 (0) (10) 61684651