

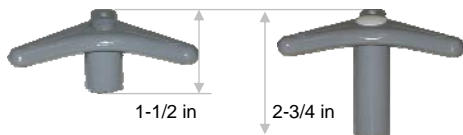


Sea-Lect® Y-Valve YV-095D-B

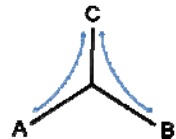
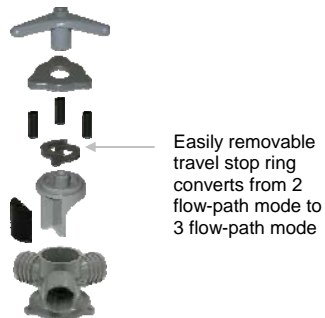


- Durable, lightweight Delrin® plastic
- Accommodates 1" to 1-1/2" hose
- Easy turning handle made from durable, epoxy-coated aluminum
- Base mounting plate
- Full port opening
- Locking tab on handle
- Arrows on handle indicate flow path
- Supports either 2 or 3 flow-path mode

Optional Long Handle

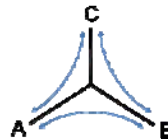


Optional 2-Way or 3-Way Flow Mode



2 Flow-Path Mode

Flow path A-to-C or B-to-C



3 Flow-Path Mode

Flow path A-to-C, B-to-C or A-to-B

Performance

Max Pressure	40 psi (2.8 kg/cm ²)
Max Service Temp	150°F (66°C)

Available Ports

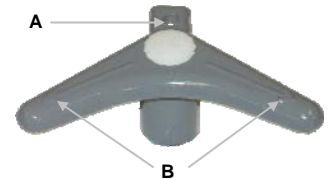
	in	1	1-1/2
	cm	1.27	1.6
	Barbed		S
	NPT Female (Tapped)	•	

S Standard • Optional

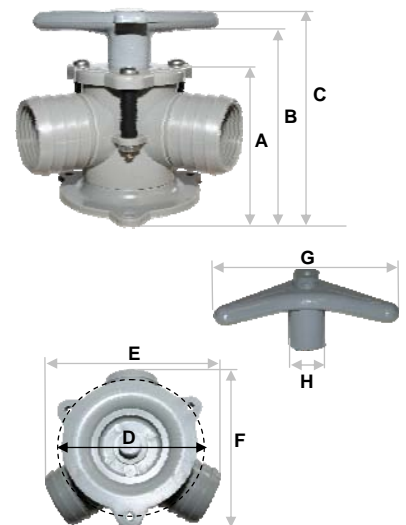
Materials

Body & Ports*	Delrin / Gray
Handle	Epoxy-coated Aluminum / Gray
Seat*	Santoprene
Fasteners	Stainless Steel
Spacers	Polypropylene / Black
Lubricant*	Dow Corning Silicone Grease #44

* In contact with fluid



All-aluminum Y-Valve handle features lockable tab (A) and arrows (B) to indicate direction of flow.



	in	cm
A	2-11/16	6.8
B	3-3/8	8.6
C	3-13/16	9.7
(Bolt Circle Diam) D	2-3/4	7.0
E	4-1/2	11.4
F	4-3/16	10.6
G	4-1/8	10.5
(Ctr Shaft Diam) H	13/16	2.1
Mounting Holes	3/16	0.5
Weight	0.65 lb	0.29 kg

Sea-Lect® Y-Valve YV-095D-B



Example: YV-095D-B-30-838383

- Sea-Lect Y-Valve
- Model style 95 (Delrin/Gray)
- Base mount
- Epoxy-coated Aluminum V-Shaped Handle
- No Trim Ring
- 1-1/2" Barbed Hose Connections



Sea-Lect Product	
Option	Code
Y-Valve	YV

Family	
Option	Code
1-1/2" Nominal Port Size	095D

Mounting Style	
Option	Code
Base Mount	B

YV - 095D - B - 3 0 - 83 83 83

Activation	
Option	Code
Straight Handle (Delrin)	2
V-Handle (Aluminum)	3
Long V-Handle (Alum)	4

Trim Ring (Face Plate)	
Option	Code
None	0

Option	Code		
	Port 1	Port 2	Port 3
1" NPT Tapped	51	51	51
1-1/2" Barbed	83	83	83