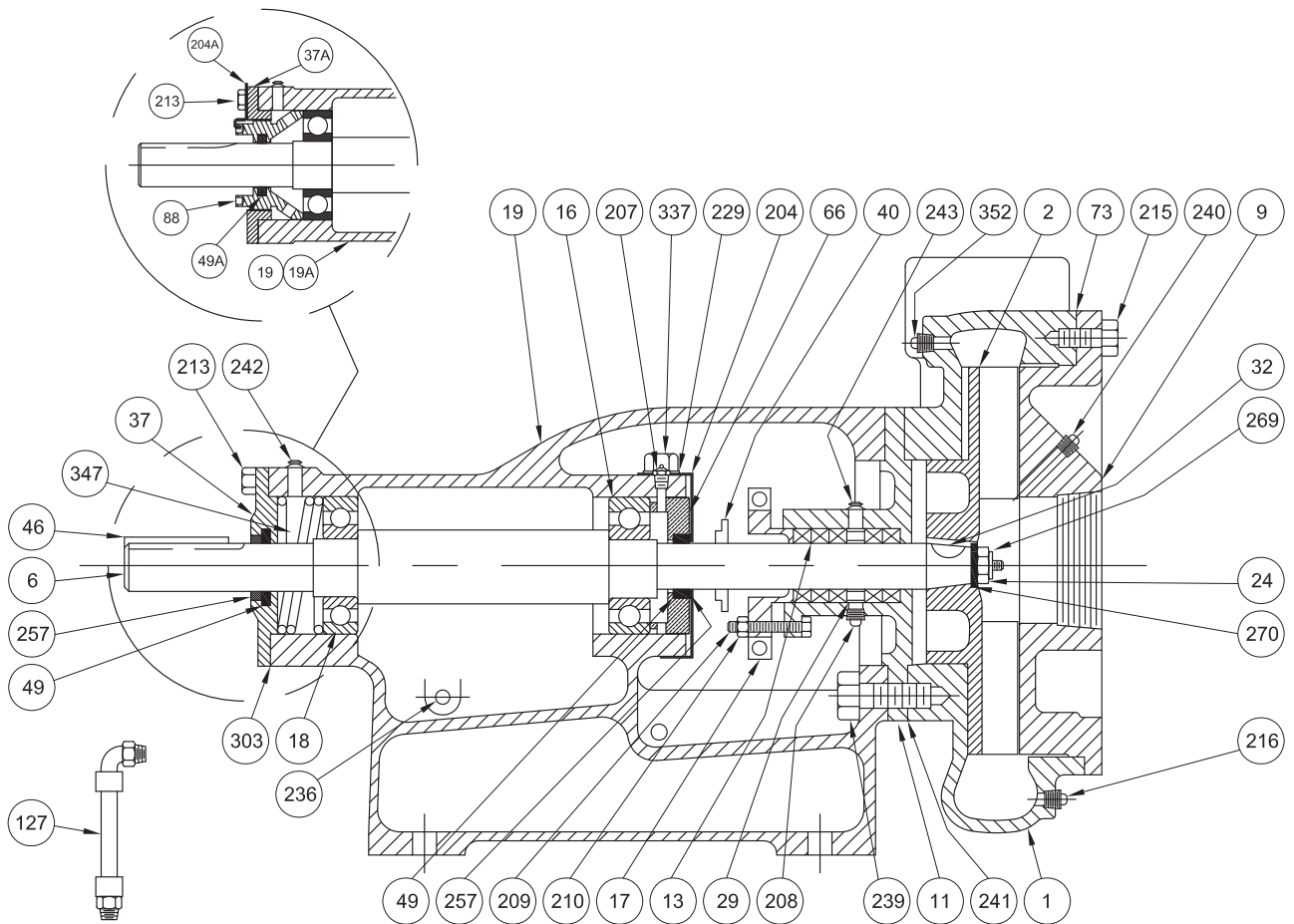


LOCKED BEARING CONSTRUCTION



WARNING:

CANCER AND REPRODUCTIVE HARM -
WWW.P65WARNINGS.CA.GOV

| Item No. | Name of Part | Item No. | Name of Part | Item No. | Name of Part |
|----------|--------------------------|----------|----------------------------------|----------|----------------------|
| 1 | Casing | *49 | Bearing Cover Seal (Felt Ring) | 236 | Pipe Plug |
| 2 | Impeller | 66 | Shaft Adjusting Unit | 239 | Cap Screws |
| 6 | Pump Shaft | *73 | Casing Gasket | 240 | Pipe Plug |
| 9 | Suction Cover | 88 | Shaft Adjusting Nut | *241 | Stuffing Box Gasket |
| 11 | Packing Box Cover | 127 | Tubing Assembly with Connectors | 242 | Grease Fitting |
| *13 | Packing | 203 | Name Plate | 243 | Grease Fitting |
| *16 | Ball Bearing (Inboard) | 204 | Adjusting Lock Nut | 257 | Clamping Ring |
| 17 | Split Gland | 207 | Grease Fitting | | |
| *18 | Ball Bearing (Outboard) | 208 | Pipe Plug | *269 | Cotter Pin |
| 19 | Frame | 209 | Cap Screw, Machine Bolt, or Stud | 270 | Impeller Washer |
| 24 | Impeller Nut | 210 | Hex Nut | | |
| *29 | Lantern Ring | 213 | Cap Screw | *303 | Bearing Cover Gasket |
| 32 | Impeller Key | 214 | Drive Screw | 337 | Cap Screw |
| 37 | Bearing Cover (Outboard) | 215 | Cap Screws | 347 | Spring |
| 40 | Deflector | 216 | Pipe Plug | 352 | Pipe Plug |
| 46 | Coupling Key | 229 | Lockwasher | | |

* Recommended spare parts

Parts for Fig. 4001

Industrial Section 14
Bulletin 95

DEMING®

www.cranepumps.com

Repair Parts

Item 1 - Casing With Pipe Plugs, Studs And Nuts When Used

Please Order by the Part No.

| Rotation | Material | Discharge | 1" Pump | | 1½" Pump | | 2½" Pump | |
|----------|-----------|-----------|----------|---------|----------|---------|----------|---------|
| | | | Part No. | Drawing | Part No. | Drawing | Part No. | Drawing |
| R.H. | Iron | Threaded | 0034085 | 32308 | 0034086 | 4849 | 0034087 | 4845 |
| R.H. | Bronze | Threaded | 0034090 | 32308 | 0034091 | 4849 | 0034092 | 4845 |
| R.H. | Iron | Flanged | 0034134 | 32342 | 0034135 | 4867 | - | - |
| R.H. | Bronze | Flanged | 0034142 | 32342 | 0034143 | 4867 | - | - |
| R.H. | Alloy 316 | Flanged | 0034108 | 32309 | 0034109 | 4850 | - | - |
| R.H. | Alloy 20 | Flanged | 0034117 | 32309 | 0034118 | 4850 | - | - |
| L.H. | Iron | Threaded | 0034161 | 32307 | 0034162 | 4848 | 0034163 | 4967 |
| L.H. | Bronze | Threaded | 0034172 | 32307 | 0034173 | 4848 | 0034174 | 4967 |

Item 2 - Impellers

Part No. shown is for any diameter shown in that pump size. Order as follows, i.e. (1 Cast Iron Impeller Fig. 4001 - 1" Unit 505, Part No. 0009997, except 4½" diameter.)

All Impellers are standard with wiping vanes.

| Pump Size | Unit No. | Imp. Dia. | Right Hand | | | Left Hand | | | Right Hand - Alloy | |
|-----------|----------|-----------|------------|----------|---------|-----------|----------|---------|--------------------|---------|
| | | | Cast Iron | Bronze | Drawing | Cast Iron | Bronze | Drawing | Alloy 316 | Drawing |
| | | | Part No. | Part No. | No. | Part No. | Part No. | No. | Part No. | No. |
| 1" | 405 | 4¾" | 0009997 | 0010627 | 25060 | 0010006 | 0010679 | 25061 | 0010651 | 24877 |
| | 406 | 5½" | | | | | | | | |
| | 407 | 5½" | | | | | | | | |
| | 408 | 6" | | | | | | | | |
| | 505 | 4½" | | | | | | | | |
| | 506 | 4¼" | | | | | | | | |
| | 507 | 4⅝" | | | | | | | | |
| | 508 | 5½" | | | | | | | | |
| 509 | 6" | | | | | | | | | |
| 1½" | 412 | 5½" | 0010690 | 0010702 | 25063 | 0010788 | 0010800 | 25062 | 0010758 | 24864 |
| | 413 | 5⅝" | | | | | | | | |
| | 414 | 6" | | | | | | | | |
| | 512 | 5" | | | | | | | | |
| | 513 | 5⅝" | | | | | | | | |
| | 514 | 6" | | | | | | | | |
| 2½" | 415 | 5⅝" | 0010812 | 0010828 | 25055 | 0010889 | 0010905 | 25660 | Not Available | |
| | 416 | 5" | | | | | | | | |
| | 417 | 6⅝" | | | | | | | | |
| | 418 | 6⅝" | | | | | | | | |
| | 516 | 4¾" | | | | | | | | |
| | 517 | 5¼" | | | | | | | | |
| | 518 | 5" | | | | | | | | |
| | 519 | 6" | | | | | | | | |

Part No.

Item 6 - Shaft Assembly With Trim - Items 24, 32, 269 And 270

Drawing No.

| | | |
|---------|---|-------|
| 0073804 | Type 416 S.S. Shaft - Standard with 316 S.S. Trim Parts | 26729 |
| 0027497 | Type 316 S.S. Shaft - Standard with 316 S.S. Trim Parts | 24882 |
| 0027498 | Cap. 20 S.S. Shaft - Standard with C-20 S.S. Trim Parts | 24882 |

Type 302 stainless steel shaft discontinued - for replacement, type 416 stainless steel will be furnished unless type 316 stainless steel is specified for #5 bronze pump or for sea water application.

Shaft Trim Parts

| | | |
|-----|---------|--|
| 24 | 0065010 | Impeller Nut - Type 316 S.S. - Castellated |
| | 0016262 | Impeller Nut - C-20 S.S. - Castellated |
| 32 | 0065013 | Impeller Key - Type 316 S.S. - Woodruff |
| | 0012456 | Impeller Key - C-20 S.S. - Woodruff |
| 269 | 0065016 | Cotter Pin - Type 316 S.S. |
| | 0016313 | Cotter Pin - C-20 S.S. |
| 270 | 0065019 | Impeller Washer - Type 316 S.S. |
| | 0012469 | Impeller Washer - C-20 S.S. |

* Recommended spare parts

SECTION 95
PAGE 96
DATE 7/08

CRANE®

PUMPS & SYSTEMS

A Crane Co. Company

USA: (937) 778-8947 • Canada: (905) 457-6223 • International: (937) 615-3598

Repair Parts

| Item 9 - Suction Heads With Pipe Plugs When Used | | | | | | | |
|--|----------|----------|---------|----------|---------|----------|---------|
| Material | Suction | 1" Pump | | 1½" Pump | | 2½" Pump | |
| | | Part No. | Drawing | Part No. | Drawing | Part No. | Drawing |
| Iron | Threaded | 0030076 | 24804 | 0030077 | 24891 | 0030078 | 25056 |
| Bronze | Threaded | 0034200 | 24804 | 0034201 | 24891 | 0034202 | 25056 |
| Iron | Flanged | 0034224 | 25121 | 0034225 | 25128 | - | - |
| Bronze | Flanged | 0034231 | 25121 | 0034232 | 25128 | - | - |
| Alloy 316 | Flanged | 0010637 | 24878 | 0010750 | 24801 | - | - |
| Alloy 20 | Flanged | 0010639 | 24878 | 0010752 | 24801 | - | - |

| Item No. | Part No. | Name and Description | Drawing No. |
|---|--|---|--|
| * 73 | 0004466 0010641 0004468 0019062 0002009 0000019 | Gasket - Vellutex - Suction Head to Casing - 1" and 1½" Pumps Gasket - Garlock 7705 - Suction Head to Casing - 1" and 1½" Alloy Pumps Gasket - Vellutex - Suction Head to Casing - 2½" Pumps Gasket - Garlock 7705 - Suction Head to Casing - 2½" Alloy Pumps Pipe Plug - Cad. Pltd. - ¼" - For Casing and Suction Head Pipe Plug - Brass - ¼" - For Casing and Suction Head | 112-247 112-247 112-509 112-509 |
| 215 | 0003804 0031024 | Cap Screw - Steel - ½" x 1¼" - Suction Head to Casing (6 Req'd) Cap Screw - Everdur - ½" x 1¼" - Suction Head to Casing (6 Req'd) | |
| Power Frame Parts | | | |
| * 16 * 18 | 0003319 0003319 0005274 | Ball Bearing - Inboard Ball Bearing - Outboard Ball Bearing - Outboard - Special - Double Row | |
| 19 | 0009832 0013112 | Frame - Cast Iron - Std. Construction Frame - Cast Iron - For Locked Bearing | 4800 4800 |
| 37 | 0009839 0014773 | Bearing Cover - Cast Iron Bearing Cover - C.I. - For Spec. Brg. 0005274 | 112-171 112-711 |
| 40 | 0000704 | Deflector - Neoprene | 18195 |
| 46 | 0002195 | Coupling Key | 114-932 |
| * 49 | 0009951 | Felt Ring (2 Req'd.) | 112-161 |
| 66 204 | 0034336 0009845 0038606 | Shaft Adjusting Nut - Bronze - with Items 49, 204, 257 Adj. Nut Clip - Brass Adj. Nut Clip Assy. - with Items 204, 229, 337 | 111-693 111-750 |
| 207 213 229 236 239 | 0002640 0000342 0002588 0002009 0000019 0000402 | Grease Fitting - ¼" Cap Screw - ¼" x ½" (4 Req'd.) Lock Washer - For Item 337 Pipe Plug - ¼" Sq. Hd. - Cad. Plt'd. Pipe Plug - ¼" Sq. Hd. - Brass Cap Screw - ¾" x 1¼" - Frame to Casing - 4 Req'd. | |
| 242 257 * 303 337 347 | 0002640 0009846 0009841 0000342 0014745 0009842 | Grease Fitting - ¼" Clamping Ring - Steel - 1" x 1½" - for Item 49 (2) Gasket - for Item 37 Cap Screw - ¼" x ½" - for Item 204 - 4 Req'd. Machine Screw - ¼" x ⅝" Flat Hd. - for 0014773 (4 Req'd.) Shaft Adjusting Spring | 112-159 111-961 16351 |
| For Locked Bearing Construction | | | |
| Delete Items 37, 49 and 204 And Add the following | | | |
| 37A 49A 88 204A | 0004305 0000665 0004303 0004307 | Bearing Cover - C.I. - For Locked Bearing Felt Ring - For Locked Bearing (Add to Above) Shaft Adjusting Nut - Bronze - Outboard Adj. Nut Clip - Brass - Outboard | 115-815 11643 115-814 115-816 |

* Recommended spare parts



A Crane Co. Company

PUMPS & SYSTEMS

USA: (937) 778-8947 • Canada: (905) 457-6223 • International: (937) 615-3598

| | |
|----------------|-------------|
| SECTION | 95 |
| PAGE | 97 |
| DATE | 8/10 |

Repair Parts

Oil Lube Frame Parts

Parts Shown Below Replace Standard Parts In Oil Lubricated Construction

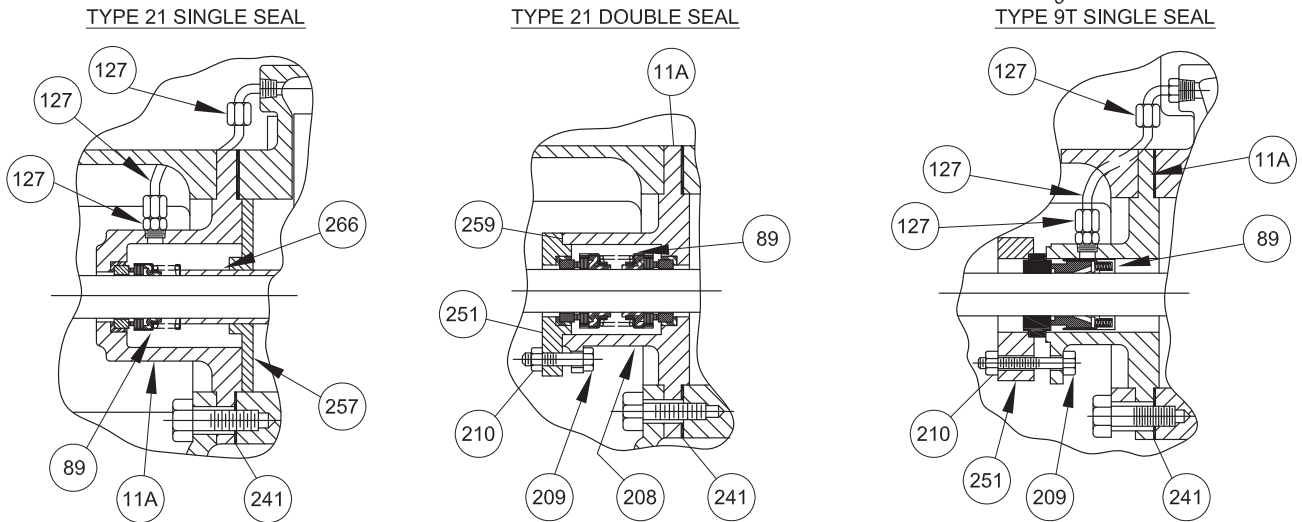
Please Order By The Part No.

| Item No. | Part No. | Name and Description | Drawing No. |
|----------|----------|-----------------------------------|-------------|
| 19A | 0013113 | Frame Only | 4800 |
| * 47 | 0029006 | Lip Seal - Inboard - for Item 66A | |
| * 49 | 0029006 | Lip Seal - Outboard - for Item 37 | |
| 62 | 0032793 | Oil Thrower - Brass | 115-315 |
| 66A | 0032791 | Shaft Adjusting Nut | 115-311 |
| 232 | 0041963 | Quad Ring Gasket - Rubber | |
| 234 | 0057697 | Oiler | |
| 235 | 0039022 | Breather | |
| | 0001576 | Nipple - Galvanized - 1/4" x 3/8" | |
| | 0004081 | Pipe Coupling - 1/4" | |
| | 0005693 | Pipe Bushing - 1/4" x 1/8" | |

Packing Box Cover - Packed Type And Parts

| Item No. | Name and Description | Cast Iron Part No. | #8 Bronze Part No. | 316 SS Part No. | Alloy 20 Part No. | Drawing No. |
|----------|--|--------------------|--------------------|-----------------|-------------------|--------------------|
| 11 | Packing Box Cover with Pipe Plug | 0034247 | 0034284 | 0034320 | 0034328 | 25057 25059 |
| * 13 | Packing - 1/4" x 3 1/2" GAR 8913 (5 Pcs. Req'd) 35% Teflon | 0030715 0034011 | 0030715 0034011 | - 0034011 | - 0034011 | - - |
| 17 | Gland - Split - with Cap Screw & Nuts | 0009851 | 0009972 | 0107737 | 0107739 | 111-697 121-802 |
| 209 | Machine Bolt - 5/16" x 1 1/2" - (2 Req'd) Item 17 to Item 11 | 0003725 | - | - | - | - |
| | Cap Screw - 5/16" x 1 3/4" (2 Req'd) Item 17 to Item 11 | - | 0000385 | 0000386 | 0000387 | - |
| 210 | Hex Nut - 5/16" (2 Req'd) Item 209 | 0000113 | - | - | - | - |
| | Hex Nut - 5/16" (2 Req'd) Item 209 | - | 0002146 | 0006007 | 0006011 | - |
| 29 | Lantern Ring Half - Teflon (2 Req'd) Pumps Originally Furnished with Bushings for Flush Type - 4 Req'd. | 0076637 | 0076637 | 0076637 | 0076637 | 119-511 |
| 208 | Pipe Plug - 1/2" for Item 11 | 0002553 | 0000018 | 0006251 | 0012453 | - |
| * 241 | Gasket - Vellutex - for Between Items 11 & 1 | 0006227 | 0006227 | - | - | 111-962 |
| | Gasket - Gar. #7705 - for Between Items 11 & 1 | - | - | 0012419 | 0012419 | 111-962 |
| 243 | Grease Fitting - 1/8" for Item 11 | 0003131 | 0003131 | 0003131 | 0003131 | - |

* Recommended spare parts



Seal Heads And Mechanical Seals

Please Order By The Part No.

| Item No. | Materials | Crane Type 21 Single Seal | | Crane Type 9 / 9T Single Seal | Crane Type 21 Double Seal | Dura. Type CRO Double Seal |
|----------|--------------------------|---------------------------|---------------------|-------------------------------|---------------------------|----------------------------|
| | | Reg. Constr. | Choker Ring Constr. | | | |
| 11A | Seal Head with Pipe Plug | | | | | |
| | Iron | 0034252 | 0015056 | 0034257 | 0034262 | 0074229 |
| | Bronze | 0034289 | Old Style | 0034293 | 0034297 | 0074230 |
| | Type 316 SS | - | - | - | - | 0034325 |
| | Alloy 20 | - | - | - | - | 0034333 |
| | Drawing No. | 26358 | 113-002 | 113-653 | 25237 | 112-731 |
| 89 | Seals - 5/8" Dia. | | | | | |
| | BF1C1 | 0030876 | - | - | 0030894 | - |
| | BF171 | 0030877 | 0030877 | - | 0030895 | - |
| | XF1C1 | 0084876 | - | - | 121-717 | - |
| | XF171 | 0084877 | - | - | - | - |
| | EX5-TV | - | - | - | - | 0006915 |
| 251 | Seal Gland | | | | | |
| | Iron | None | 0013373 | 0013358 | 0013373 | 0013733 |
| | Bronze | Required | - | 0013361 | 0013375 | 0014848 |
| | Drawing No. | | 112-999 | 113-652 | 112-999 | 112-730 |

Miscellaneous Parts For Pumps With Mechanical Seals

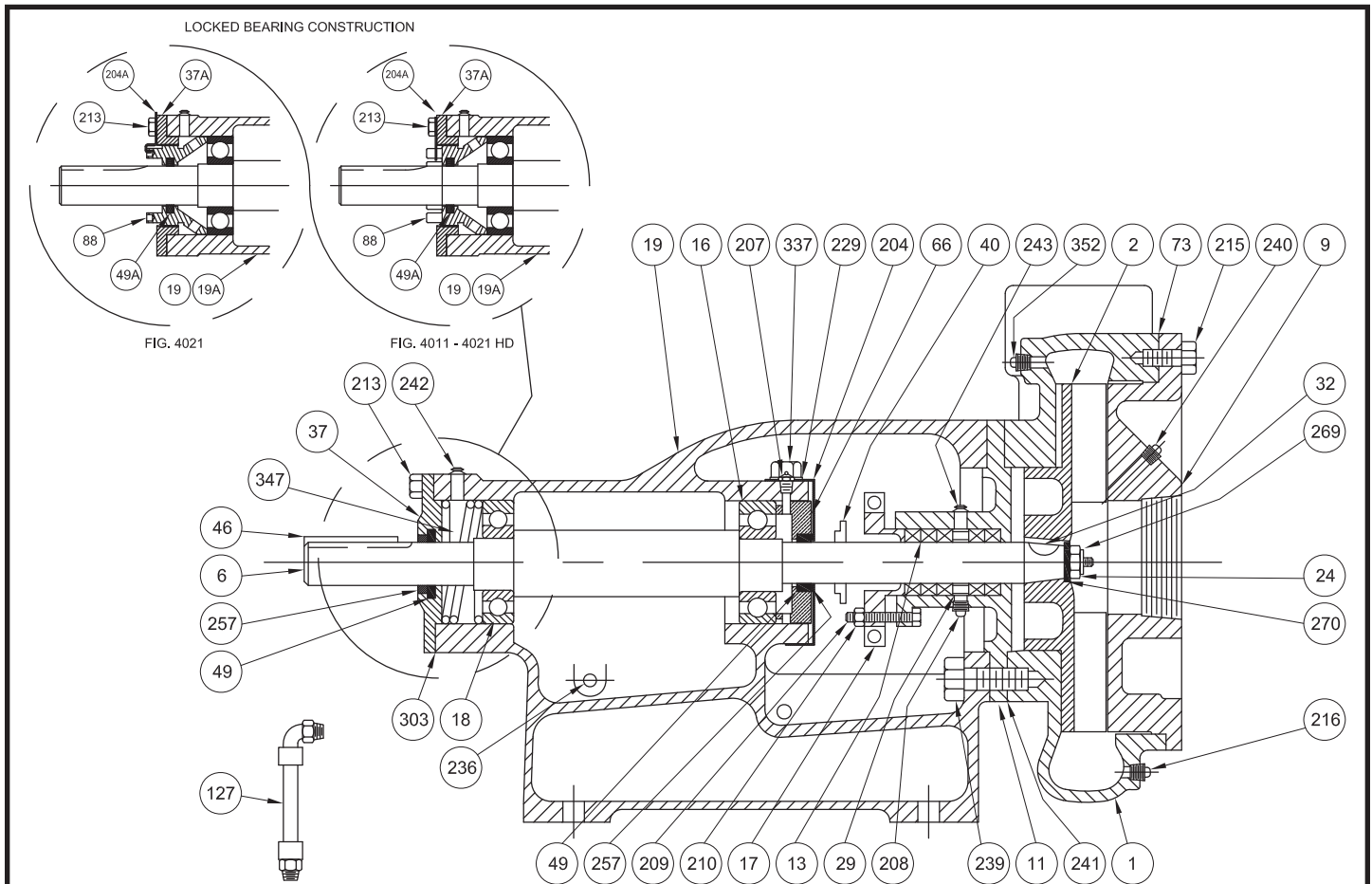
| Item No. | Part No. | Name and Description | Drawing No. |
|----------|---|---|--|
| 209 | 0003280 0000385 0013367 0000377 | Mach. Bolt - Steel 5/16" x 1 1/4" - for Item 251 - for Dura. Type CRO - Double Seal (2 Req'd) Cap Screw - Br. - 5/16" x 1 1/4" - for Item 251 - for All Brz. with Dura. Type CRO Double Seal (2) Mach. Bolt - Steel 5/16" x 1 1/4" - for Item 251 - with Type 21 Double Seal (2 Req'd) Cap Screw - Br. - 5/16" x 1 1/4" - for Item 251 - for All Brz. with Type 21 Double Seal (2 Req'd) | |
| 210 | 0000113 0002146 0000896 0006293 0004159 | Hex Nut - Steel - 5/16" - for Item 209 - 0003280 or 0013367 (2 Req'd) Hex Nut - Br. - 5/16" - for Item 209 - 0000385 or 0000377 (2 Req'd) Nipple - Galv. - 1/8" x 3/4" - for Pump with Item 89 - Double Seal Pipe Reducer - Galv. 1/4" x 1/8" - for Pump with Item 89 - Double Seal Grease Cup - 1/4" - #215-1 - for Pumps with Dura. Type CRO or Type 21 Double Seal | |
| * 259 | 0013369 0013730 0015057 0041752 | Gasket - Vellutex - for Item 251 - Seal Gland 0013373 or 0013375 Gasket - Vellutex - for Item 251 - Seal Gland 0013733 or 0014848 Gasket - Garlock 7705 - for Item 251 - Seal Gland 0013373 - for Alloy Pumps Gasket - Garlock 7705 - for Item 251 - Seal Gland 0013733 or 0014848 - for Alloy Pumps | 116-040 116-040 116-040 116-040 |
| 266 | 0010388 | Spacer Sleeve - 316 SS - for Pumps with Type 21 Single Seal | 19760 |
| 257 | 0043636 0010405 | Choker Ring - Cast Iron - Hot Water - with Seal - for Dwg. No. 26358 Choker Ring - Cast Iron - Old Style - Hot Water - with Seal - for Dwg. No. 113-002 | 117-893 116-175 |

* Recommended spare parts

Repair Parts

| Item 127 - Recirculation Tubing Assemblies And Auto Parts | | |
|---|---|-------------|
| Part No. | Name and Description | Drawing No. |
| 0044072 0039946 0074239 0074240 | Tubing - Copper - 1/4" O.D. - Item 1 - Casing to Item 11 - Pkg. Box Cover Tube Assembly - for Standard Stuffing Box Tube Assembly - Brass - for Seal Tube Assembly - SS - for Seal | 118-112 |
| 0001662 0017076 0017077 0015052 | Tubing - Stainless Steel - 1/4" O.D. - Item 1 - Casing to Item 11A - Seal Head Tubing - Cooper - 3/8" O.D. - Item 1 - Casing to Item 11A - Seal Head Tubing - Stainless Steel - 3/8" O.D. - Item 1 - Casing to Item 11A - Seal Head Tubing - Cooper - 3/8" O.D. x 8ft. - for Choker Ring Type Hot Water Pump | 115-007 |
| 0000030 0001574 0019116 | Connector - with Sleeve and Nut - Br. 90° - 1/4" Tube x 1/4" NPT Connector - with Sleeve and Nut - Br. 90° - 3/8" Tube x 1/4" NPT Connector - with Sleeve and Nut - 316 S.S. - 90° - 1/4" Tube x 1/4" NPT | |
| 0003740 0000118 0020046 | Connector - with Sleeve and Nut - Br. - Straight - 1/4" Tube x 1/8" NPT Connector Only - Br. - Straight - 1/4" Tube x 1/4" NPT Connector - with Sleeve and Nut - 316 S.S. - Straight - 1/4" Tube x 1/4" NPT | |
| 0001570 0013348 0004423 0021973 | Connector - with Sleeve and Nut - Br. - Straight - 3/8" Tube x 1/4" NPT Connector - with Sleeve and Nut - 316 S.S. - Straight - 3/8" Tube x 1/4" NPT Connector - with Sleeve and Nut - 316 S.S. - Straight - 1/4" Tube x 1/8" NPT Connector - with Sleeve and Nut - 316 S.S. - 90° - 1/4" Tube x 1/4" NPT | |
| 0000028 0000029 | Compression Nut - Brass - for 1/4" O.D. Tubing (2 Req'd) Compression Sleeve - Brass - for 1/4" O.D. Tubing (2 Req'd) | |

Repair Parts



WARNING:

CANCER AND REPRODUCTIVE HARM -
WWW.P65WARNINGS.CA.GOV

| Item No. | Name of Part | Item No. | Name of Part | Item No. | Name of Part |
|----------|--------------------------|----------|----------------------------------|----------|----------------------|
| 1 | Casing | 46 | Coupling Key | 216 | Pipe Plug |
| 2 | Impeller | *49 | Bearing Cover Seal (Felt Ring) | 229 | Lockwasher |
| 6 | Pump Shaft | 66 | Shaft Adjusting Unit | 236 | Pipe Plug |
| 9 | Suction Cover | *73 | Casing Gasket | 239 | Cap Screws |
| 11 | Packing Box Cover | 88 | Shaft Adjusting Nut | 240 | Pipe Plug |
| *13 | Packing | 127 | Tubing Assembly with Connectors | *241 | Stuffing Box Gasket |
| *16 | Ball Bearing (Inboard) | 203 | Name Plate | 242 | Grease Fitting |
| 17 | Split Gland | 204 | Adjusting Lock Nut | 243 | Grease Fitting |
| *18 | Ball Bearing (Outboard) | 207 | Grease Fitting | 257 | Clamping Ring |
| 19 | Frame | 208 | Pipe Plug | *269 | Cotter Pin |
| 24 | Impeller Nut | 209 | Cap Screw, Machine Bolt, or Stud | 270 | Impeller Washer |
| *29 | Lantern Ring | 210 | Hex Nut | *303 | Bearing Cover Gasket |
| 32 | Impeller Key | 213 | Cap Screw | 337 | Cap Screw |
| 37 | Bearing Cover (Outboard) | 214 | Drive Screw | 347 | Spring |
| 40 | Deflector | 215 | Cap Screws | 352 | Pipe Plug |

* Recommended spare parts



A Crane Co. Company

PUMPS & SYSTEMS

USA: (937) 778-8947 • Canada: (905) 457-6223 • International: (937) 615-3598

| | |
|---------|-------|
| SECTION | 95 |
| PAGE | 101 |
| DATE | 10/18 |

Parts for Fig. 4011-4021

Industrial Section 14
Bulletin 95

DEMING®

www.cranepumps.com

Repair Parts

Item 1 Casing - Includes Pipe Plugs (216 & 352) On Iron Or Bronze Includes Studs & Nuts (239) On Alloy

Please Order by the PartNo.

| Rotation | Material | Discharge | 4011 and 4021 HD - 1¼ S | | 4011 and 4021 HD - 2 S | | 4011, 4021 & 4021 HD - 2 M | |
|--|-----------|-----------|-------------------------|---------|----------------------------|---------|----------------------------|---------|
| | | | Part No. | Drawing | Part No. | Drawing | Part No. | Drawing |
| R.H. | Iron | Threaded | 0034072 | 4784 | 0034075 | 4711 | 0034076 | 5125 |
| R.H. | Bronze | Threaded | 0034093 | 4784 | 0034096 | 4711 | 0034097 | 5125 |
| R.H. | Iron | Flanged | 0034136 | 4847 | 0034139 | 4863 | 0034140 | 5138 |
| R.H. | Bronze | Flanged | 0034144 | 4847 | 0034147 | 4863 | 0034148 | 5138 |
| R.H. | Alloy 316 | Flanged | * 0034110 | 4841 | 0034111 | 4796 | 0034112 | 4846 |
| L.H. | Iron | Threaded | 0034164 | 4832 | 0034167 | 4833 | 0034168 | 4582 |
| L.H. | Bronze | Threaded | 0034175 | 4832 | 0034178 | 4833 | 0034179 | 4582 |
| * In Alloy This Pump Has 1" Discharge, 1½" Suction | | | | | | | | |
| Rotation | Material | Discharge | 4011 and 4021 HD - 1½ S | | 4011 and 4021 - 1½ M | | 4021 - 1½ L | |
| | | | Part No. | Drawing | Part No. | Drawing | Part No. | Drawing |
| R.H. | Iron | Threaded | 0034073 | 4782 | 0034074 | 4805 | 0034083 | 5130 |
| R.H. | Bronze | Threaded | 0034094 | 4782 | 0034095 | 4805 | 0034104 | 5130 |
| R.H. | Iron | Flanged | 0034137 | 4861 | 0034138 | 4862 | 0034141 | 5141 |
| R.H. | Bronze | Flanged | 0034145 | 4861 | 0034146 | 4862 | 0034149 | 5141 |
| L.H. | Iron | Threaded | 0034165 | 4834 | 0034166 | 4837 | 0011405 | 5135 |
| L.H. | Bronze | Threaded | 0034176 | 4834 | 0034177 | 4837 | 0011407 | 5135 |
| Rotation | Material | Discharge | 4011 - 3 S | | 4011, 4021 & 4021 HD - 3 M | | 4011 - 4 S | |
| | | | Part No. | Drawing | Part No. | Drawing | Part No. | Drawing |
| R.H. | Iron | Flanged | 0034077 | 5137 | 0034078 | 5123 | 0034079 | 41121 |
| R.H. | Bronze | Flanged | 0034098 | 5137 | 0034099 | 5123 | 0034100 | 41121 |
| R.H. | Alloy 316 | Flanged | - | - | DV0079538 | 41440 | - | - |
| L.H. | Iron | Flanged | - | - | 0034169 | 5132 | - | - |
| L.H. | Bronze | Flanged | - | - | 0034180 | 5132 | - | - |
| Rotation | Material | Discharge | 4011 and 4021 - 4 M | | 4021 - 5 M & 5 MS | | 4021 - 6 M & 6 ML | |
| | | | Part No. | Drawing | Part No. | Drawing | Part No. | Drawing |
| R.H. | Iron | Flanged | 0034080 | 4803 | 0034081 | 5101 | 0034082 | 5163 |
| R.H. | Bronze | Flanged | 0034101 | 4803 | 0034102 | 5101 | 0034103 | 5163 |
| R.H. | Alloy 316 | Flanged | DV0079540 | 41441 | DV0079545 | 41442 | DV0079547 | 41408 |
| L.H. | Iron | Flanged | 0034170 | 4838 | 0034171 | 5134 | - | - |
| L.H. | Bronze | Flanged | 0034181 | 4838 | 0034182 | 5134 | - | - |

DV - Double Volute

* Recommended spare parts

SECTION 95
PAGE 102
DATE 7/08

CRANE®

A Crane Co. Company

PUMPS & SYSTEMS

USA: (937) 778-8947 • Canada: (905) 457-6223 • International: (937) 615-3598

Repair Parts

| Item 9 - Suction Cover - With Pipe Plugs - When Used | | | | | | | |
|--|----------|-------------------------|---------|----------------------------|---------|----------------------------|---------|
| Material | Suction | 4011 and 4021 HD - 1½ S | | 4011 and 4021 HD - 2 S | | 4011, 4021 & 4021 HD - 2 M | |
| | | Part No. | Drawing | Part No. | Drawing | Part No. | Drawing |
| Iron | Threaded | 0030079 | 24586 | 0030082 | 24297 | 0030083 | 32146 |
| Bronze | Threaded | 0034203 | 24586 | 0034206 | 24297 | 0034207 | 32146 |
| Iron | Flanged | 0034226 | 25024 | 0034229 | 25115 | 0011293 | 32340 |
| Bronze | Flanged | 0034233 | 25024 | 0034236 | 25115 | 0011295 | 32340 |
| Alloy 316 | Flanged | 0010925 | 25026 | 0011166 | 24796 | 0011301 | 32303 |
| Material | Suction | 4011 and 4021 HD - 1½ S | | 4011 and 4021 - 1½ M | | 4021 - 1½ L | |
| | | Part No. | Drawing | Part No. | Drawing | Part No. | Drawing |
| Iron | Threaded | 0030080 | 24738 | 0030081 | 32188 | 0030090 | 32235 |
| Bronze | Threaded | 0034204 | 24738 | 0034205 | 32188 | 0034214 | 32235 |
| Iron | Flanged | 0034227 | 25113 | 0034228 | 32337 | 0011403 | 32423 |
| Bronze | Flanged | 0039015 | 25113 | 0039016 | 32337 | 0011404 | 32423 |
| Material | Suction | 4011 - 3 S | | 4011, 4021 & 4021 HD - 3 M | | 4011 - 4 S | |
| | | Part No. | Drawing | Part No. | Drawing | Part No. | Drawing |
| Iron | Flanged | 0030084 | 32300 | 0030085 | 32131 | 0030086 | 33038 |
| Bronze | Flanged | 0034208 | 32300 | 0034209 | 32131 | 0034210 | 33038 |
| Alloy 316 | Flanged | - | - | 0011570 | 32211 | - | - |
| Material | Suction | 4011 and 4021 - 4 M | | 4021 - 5 M & 5 MS | | 4021 - 6 M & 6 ML | |
| | | Part No. | Drawing | Part No. | Drawing | Part No. | Drawing |
| Iron | Flanged | 0030087 | 32161 | 0030088 | 32221 | 0030089 | 32638 |
| Bronze | Flanged | 0034211 | 32161 | 0034212 | 32221 | 0034213 | 32638 |
| Alloy 316 | Flanged | 0011718 | 32246 | 0011938 | 32257 | - | - |

* Recommended spare parts



Repair Parts

| Item 2 - Impellers | | | | | | | | | | |
|--|----------|-----------|---------------|----------|---------|---------------|----------|---------|--------------------|---------|
| Part No. shown, is for any diameter shown in that pump size. Order as follows, i.e., (1 Cast Iron Impeller for Fig. 4011 - 1¼", Unit 433, Part No. 0010951 except 7½" Diameter). All Impellers are standard with Wiping Vanes. | | | | | | | | | | |
| Pump Size | Unit No. | Imp. Dia. | Right Hand | | | Left Hand | | | Right Hand - Alloy | |
| | | | Cast Iron | Bronze | Drawing | Cast Iron | Bronze | Drawing | Alloy 316 | Drawing |
| | | | Part No. | Part No. | No. | Part No. | Part No. | No. | Part No. | No. |
| 1 S | 421 | 6" | Not Available | | | Not Available | | | 0010934 | 25025 |
| | 422 | 6⅝" | | | | | | | | |
| | 423 | 7" | | | | | | | | |
| | 424 | 7¾" | | | | | | | | |
| | 521 | 5¼" | | | | | | | | |
| | 522 | 6⅝" | | | | | | | | |
| | 523 | 7¼" | | | | | | | | |
| 524 | 8" | | | | | | | | | |
| 1¼ S | 335 | 6⅞" | 0010951 | 0010960 | 24587 | 0004551 | 0010998 | 24984 | Not Available | |
| | 336 | 7¼" | | | | | | | | |
| | 337 | 8" | | | | | | | | |
| | 432 | 6⅞" | | | | | | | | |
| | 433 | 7⅞" | | | | | | | | |
| | 434 | 8" | | | | | | | | |
| | 534H | 7¼" | | | | | | | | |
| 553H | 8" | | | | | | | | | |
| 1½ S | 338 | 7⅞" | 0011010 | 0011020 | 24737 | 0011063 | 0011073 | 24985 | 0035283 | 24737 |
| | 339 | 8" | | | | | | | | |
| | 437 | 6⅝" | | | | | | | | |
| | 438 | 7⅞" | | | | | | | | |
| | 439 | 8" | | | | | | | | |
| | 538H | 7¼" | | | | | | | | |
| | 539H | 8" | | | | | | | | |
| 1½ M | 348 | 9" | 0011085 | 0011088 | 32189 | 0011109 | 0011113 | 32259 | 0035403 | 32189 |
| | 349 | 10" | | | | | | | | |
| | 441 | 9" | | | | | | | | |
| | 442 | 10" | | | | | | | | |
| 1½ L | 361 | 9⅞" | 0011384 | 0011393 | 32234 | 0011428 | 0011437 | 32281 | 0015158 | 32234 |
| | 362 | 10¼" | | | | | | | | |
| | 363 | 11⅝" | | | | | | | | |
| | 444 | 9⅞" | | | | | | | | |
| | 445 | 10¾" | | | | | | | | |
| | 446 | 11⅝" | | | | | | | | |
| 2 S | 341 | 7⅞" | 0011117 | 0011128 | 110-213 | 0011208 | 0011220 | 24986 | 0011170 | 24789 |
| | 342 | 8" | | | | | | | | |
| | 451 | 5⅞" | | | | | | | | |
| | 452 | 6⅝" | | | | | | | | |
| | 453 | 7⅞" | | | | | | | | |
| | 454 | 8" | | | | | | | | |
| | 550 | 5¼" | | | | | | | | |
| | 551 | 6" | | | | | | | | |
| | 552 | 6½" | | | | | | | | |
| | 553H | 7¼" | | | | | | | | |
| 554H | 8" | | | | | | | | | |
| 2 M | 351 | 9¼" | 0011250 | 0011261 | 32144 | 0011336 | 0011347 | 32182 | 0011308 | 32304 |
| | 352 | 10" | | | | | | | | |
| | 457 | 9¼" | | | | | | | | |
| | 458 | 10" | | | | | | | | |
| | 556 | 6⅝" | | | | | | | | |
| | 557H | 7¼" | | | | | | | | |
| | 558H | 8" | | | | | | | | |

Repair Parts

| Item 2 - Impellers | | | | | | | | | | | |
|---|-------------|-----------|------------|--------------------|--------------|---------------|--------------|-------------|--------------------|-------------|-------|
| Part No. shown, is for any diameter shown in that pump size. Order as follows, i.e., (1 Cast Iron Impeller for Fig. 4011 - 3 M, Unit 354, Part No. 0011525 except 8 7/8" Diameter). | | | | | | | | | | | |
| All Impellers are standard with Wiping Vanes. | | | | | | | | | | | |
| Pump Size | Unit No. | Imp. Dia. | Right Hand | | | Left Hand | | | Right Hand - Alloy | | |
| | | | Cast Iron | Bronze | Drawing No. | Cast Iron | Bronze | Drawing No. | Alloy 316 | Drawing No. | |
| | | | Part No. | Part No. | No. | Part No. | Part No. | No. | Part No. | No. | |
| 3 S | 345 | 7 1/2" | 0011451 | 0011458 | 25054 | Not Available | | | Not Available | | |
| | 346 | 8" | | | | | | | | | |
| | 461 | 6 1/4" | | | | | | | | | |
| | 462 | 6 1/2" | | | | | | | | | |
| | 463 | 7 1/4" | | | | | | | | | |
| | 464 | 8" | | | | | | | | | |
| 3 M | 1 1/4" BORE | 354 | 8 7/8" | 0030781 | 0030785 | 26258 | 0030773 BORE | | 33205 | | |
| | | 355 | 9 1/2" | | | | | | | | |
| | | 356 | 10" | | | | | | | | |
| | 1" BORE | 465 | 7 1/4" | 0011525 BORE | 0011542 BORE | 24758 | 0011621 | 0011638 | 25008 | 0011574 | 32210 |
| | | 466 | 8 1/8" | | | | | | | | |
| | | 467 | 8 7/8" | | | | | | | | |
| | | 468 | 9 1/2" | | | | | | | | |
| | | 469 | 10" | | | | | | | | |
| | | 565 | 6" | | | | | | | | |
| | | 566 | 6 3/4" | | | | | | | | |
| 567H | | 7 1/4" | | | | | | | | | |
| 568H | 7 5/8" | | | | | | | | | | |
| 4 S | 480 | 5 15/16" | 0014994 | 0014996 | 26102 | Not Available | | | 0029574 | 26545 | |
| | 481 | 6 7/16" | | | | | | | | | |
| | 482 | 7 7/8" | | | | | | | | | |
| | 483 | 8" | | | | | | | | | |
| 4 M | 1 1/4" BORE | 357 | 8 3/8" | 0011772 | 0011787 | 32400 | 0011866 | 0011881 | 32301 | 0011804 | |
| | | 358 | 9" | | | | | | | | |
| | | 359 | 10" | | | | | | | | |
| | 1" BORE | 471 | 7 7/8" | 0011694 | 0011700 | 32162 | 0011748 | 0011754 | 32276 | 0011726 | 32247 |
| | | 472 | 8 3/8" | | | | | | | | |
| | 1 1/4" BORE | 473 | 9" | 0011772 | 0011787 | 32400 | 0011866 | 0011881 | 32301 | 0011804 | 32424 |
| 474 | | 10" | | | | | | | | | |
| 5 MS | 381 | 7 3/8" | 0011772 | 0011787 | 32400 | 0011866 | 0011881 | 32301 | 0011804 | 32424 | |
| | 382 | 8" | | | | | | | | | |
| | 383 | 8 1/2" | | | | | | | | | |
| | 384 | 9 3/4" | | | | | | | | | |
| | 490 | 7 1/4" | | | | | | | | | |
| | 491 | 8" | | | | | | | | | |
| | 492 | 8 1/2" | | | | | | | | | |
| 493 | 9 1/4" | | | | | | | | | | |
| 494 | 10" | | | | | | | | | | |
| 5 M | 365 | 8" | 0011914 | 0011924 | 32222 | 0012001 | 0012011 | 32280 | 0011942 | 32258 | |
| | 366 | 9 1/4" | | | | | | | | | |
| | 367 | 10" | | | | | | | | | |
| | 476 | 8" | | | | | | | | | |
| | 477 | 9" | | | | | | | | | |
| | 478 | 9 5/8" | | | | | | | | | |
| 479 | 10" | | | | | | | | | | |
| 6 M | 368 | 9 3/8" | 0012032 | 0012036 | 32639 | Not Available | | | 0039856 | 32639 | |
| | 369 | 10" | | | | | | | | | |
| | 496 | 7 3/4" | | | | | | | | | |
| | 497 | 8 5/8" | | | | | | | | | |
| | 498 | 9 5/8" | | | | | | | | | |
| 499 | 10" | | | | | | | | | | |
| 6 ML | 488H | 9 3/4" | 0094860 | 0103606 0095027 | 42057 | Not Available | | | 0095532 | 42057 | |
| | 489H | 10 7/32" | | | | | | | | | |

Parts for Fig. 4011-4021

Industrial Section 14
Bulletin 95

DEMING®

www.cranepumps.com

Repair Parts

| Please Order By The Part No. | | | |
|------------------------------|--|--|--|
| Item No. | Part No. | Name and Description | Drawing No. |
| * 73 | 0004476 0004474 0004470 0010929 0011307 0024964 | Gaskets - Suction Cover (9) to Casing (1) Vellutex - For "S" Pumps Vellutex - For "M" Pumps Vellutex - For 1½ L Pumps Garlock 7705 - For "S" Alloy and Hot Water Pumps Garlock 7705 - For "M" Alloy and Hot Water Pumps Garlock 7705 - For 1½ L Hot Water Pumps | 111-779 111-780 112-301 111-779 111-780 112-301 |
| 215 | Cap Screws - Suction Cover (9) to Casing (1) | | |
| | For Fig. 4011 All Sizes - For Fig. 4021 - 1½ M - 2 M - 3 M and 4 M For Fig. 4021 HD - 1¼ S - 1½ S - 2 S - 2 M - 3 M - 4 M | | |
| | 0000431 0009986 | Cap Screw - ½" x 1" Steel - (8 Req'd) Cap Screw - ½" x 1" Everdur - (8 Req'd) | |
| | For Fig. 4021 - 5 M - 5 MS - 6 M For Fig. 4021 HD - 5 M - 5 MS - 6 M - 6 ML | | |
| | 0000432 0000433 | Cap Screw - ½" x 1¼" Steel - (8 Req'd) Cap Screw - ½" x 1¼" Everdur - (8 Req'd) | |
| | For Figs. 4021 and 4021 HD - 1½ L | | |
| | 0000432 0000433 | Cap Screw - ½" x 1¼" Steel - (12 Req'd) Cap Screw - ½" x 1¼" Everdur - (12 Req'd) | |
| | Pipe Plugs - For Casing (1) and Suction Cover (9) | | |
| 216 240 352 | 0002009 0000019 | Pipe Plug - ¼" Cad. Plated - (5 Req'd) Pipe Plug - ¼" Brass - (5 Req'd) | |

* Recommended spare parts

SECTION 95
PAGE 106
DATE 7/08

CRANE®

A Crane Co. Company

PUMPS & SYSTEMS

USA: (937) 778-8947 • Canada: (905) 457-6223 • International: (937) 615-3598

Repair Parts

| Please Order by the Part No. | | | | | | | |
|--|---|------------------------------------|------------------------------------|------------------------------------|------------------------------------|------------------------------|--------------------------------------|
| Item No. | Name & Description | Fig. 4011 | | Fig. 4021 | | Fig. 4021 HD | |
| | | Part No. | Drawing No. | Part No. | Drawing No. | Part No. | Drawing No. |
| * 16 | Ball Bearing - Inboard Ball Bearing - Inboard - Double Row Ball Bearing - Inboard - Double Row | 0005265 - - | - - - | - 0005244 - | - - - | - - 0016456 | - - - |
| * 18 | Ball Bearing - Outboard Ball Bearing - Outboard - Double Row Ball Bearing - Outboard - Double Row | 0005265 0005277 - | - - - | 0005225 - - | - - - | - - 0005244 | - - - |
| 19 | Frame Only - C.I. Frame Only - For Locked Brgs. | 0009974 0012761 | 4764 4764 | 0009867 0013228 | 5117 5117 | 0009922 0013118 | 5143 5143 |
| 37 | Bearing Cover - Outboard - St'd. Brg. Cover - Outboard - Locked Brg. Brg. Cover - Outboard (Brg. 0005277) Brg. Cover - Outboard (Brg. 0005244) | 0009976 0004310 0014771 - | 112-170 115-516 112-712 - | 0009869 0004314 - 0009924 | 112-167 115-818 - 112-713 | 0009924 0004319 - - | 112-713 115-820 - - |
| 40 | Deflector Neoprene | 0000705 | 18195 | 0000707 | 18195 | 0000709 | 18195 |
| * 49 | Felt Ring - (2 Req'd) For Items 37 & 66 1 Req'd For item 37 1 Req'd For item 66 | 0009953 - - | 112-161 - - | 0009955 - - | 112-161 - - | - 0009957 0009955 | - 112-161 112-161 |
| 66 | Shaft Adjusting Nut Assy. Brz. Includes Items 49, 204 & 257 | 0034337 | 110-864 | 0034338 | 111-278 | 0034339 | 113-474 |
| 204 | Shaft Adjusting Nut Clip - Brass | 0009981 | 110-867 | 0009981 | 110-867 | 0009981 | 110-867 |
| 207 | Adj. Nut Clip Assy. w/ Items 204, 229, 237 | 0038720 | - | 0038720 | - | 0038720 | - |
| 213 | Grease Fitting - for Item 16 - 1/4" Cap Screw (4 Req'd) for Item 37 Machine Screw (4 Req'd) for item 37 | 0002640 0000715 - | - 5/16 x 5/8 - | 0002640 0000715 - | - 5/16 x 5/8 - | 0002640 - 0014746 | - - 5/16 x 1 |
| 229 | Lock Washer - 1/4" for Item 337 | 0002601 | - | 0002601 | - | 0002601 | - |
| 236 | Pipe Plug - Cad. Pltd. - for Item 19 | 0002009 | 1/4" | 0002009 | 1/4" | 0002009 | 1/4" |
| 239 | Cap Screw - Item 19 to 1 (4 Req'd) | 0000434 | 1/8 x 1 1/2 | 0000434 | 1/8 x 1 1/2 | 0000434 | 1/8 x 1 1/2 |
| 242 | Grease Fitting - for Item 18 - 1/4" | 0002640 | - | 0002640 | - | 0002640 | - |
| 257 | Clamping Ring - Steel - for item 49 (2 Req'd) Use with Felt Ring 0009953 Use with Felt Ring 0009955 Use with Felt Ring 0009957 | 0033823 - - - | 1 1/4 x 1 1/2 - - - | - 0122552 - | - 1 1/2 x 2 1/2 - | - 0122552 0122553 | - 1 1/2 x 2 1/2 1 1/16 x 2 1/2 |
| * 303 | Gasket - Vellutex - for Item 37 | 0009978 | 111-968 | 0009871 | 119-170 | 0009871 | 119-170 |
| 337 | Cap Screw - for item 204 - 1/4 x 1/2 | 0000342 | - | 0000342 | - | 0000342 | - |
| 347 | Shaft Adjusting Spring | 0009982 | 1987 | 0009872 | 11052 | 0009872 | 11052 |
| For Locked Bearing Construction | | | | | | | |
| Delete Items 19, 37, 49 and 204 And Add The Following | | | | | | | |
| 19A | Frame Only - For Locked Bearings | 0012761 | 4764 | 0013228 | 5117 | 0013118 | 5143 |
| 37A | Bearing Cover - Outboard - For Locked Bearings | 0004310 | 115-516 | 0004314 | 115-818 | 0004319 | 115-820 |
| * 49A | Felt Ring - for item 88 | 0009953 | 112-161 | 0000672 | 11643 | 0000672 | 11643 |
| 88 | Shaft Adjusting Nut - Outboard - Brz. | 0004308 | 115-515 | 0004312 | 115-817 | 0004317 | 115-819 |
| 204A | Shaft Adjusting Nut Clip | 0004316 | 115-517 | 0009845 | 111-750 | 0004316 | 115-517 |
| 213 | Cap Screw - for 0004319 (4 Req'd) | - | - | - | - | 0000369 | 5/8 x 1/2 |
| Oil Lubricated Power Frame | | | | | | | |
| The Parts Shown Below Replace Standard Parts For Oil Lubricated Construction | | | | | | | |
| 19A | Frame Only | 0012760 | 4764 | 0013227 | 5117 | 0016387 | 5143 |
| 37A | Bearing Cover - Outboard | 0016978 | 112-170 | 0009869 | 112-167 | 0043010 | 112-713 |
| * 47 | Lip Seal - Inboard - for Item 66A | 0006924 | - | 0006934 | - | 0006934 | - |
| * 49 | Lip Seal - Outboard - for Item 37A | 0006924 | - | 0006934 | - | 0068932 | - |
| 62 | Oil Slinger | 0016381 | - | 0016381 | - | 0016381 | - |
| 66A | Shaft Adjusting Nut - Inboard | 0043012 | 112-677 | 0041959 | 115-008 | 0043011 | 113-474 |
| 232 | Quad Ring - for item 66A (1 Req'd) | 0041964 | - | 0041772 | - | 0043009 | - |
| 234 | Oiler - Trico Assembly #52 | 0057697 | - | 0057697 | - | 0057697 | - |
| 235 | Breather 1/8" Alemite for Item 19 | 0039022 | - | 0039022 | - | 0039022 | - |
| | Nipple - Galv. - 1/4" x 1/8" | 0001576 | | | | | |
| | Pipe Coupling - 1/4" Galv. | 0004081 | | | | | |
| | Bushing - Galv. 1/4" x 1/8" | 0005693 | | | | | |

* Recommended spare parts

Repair Parts

| Item 6 - Shaft Assembly With Items 24, 32, 269 And 270 | | | | | | |
|--|----------------------|-----------------------------|------------------|------------------|--------------------|------------------|
| | Fig. 4011 | "S" & "M" Size 3" & Smaller | | | 1½ L & 4M & Larger | |
| | | Fig. 4021 | Fig. 4021 HD | Fig. 4021 | Fig. 4021 HD | |
| Taper | 1" | 1" | 1" | 1¼" | 1¼" | |
| Type 416 Stainless Steel Std. with 316 S.S. Trim | Part No. Dwg. No. | 0073805 26730 | 0073806 26731 | 0073808 25492 | 0073807 26732 | 0073809 25493 |
| Type 316 Stainless Steel Std. with 316 S.S. Trim | Part No. Dwg. No. | 0027502 25012 | 0027507 25011 | 0027523 25492 | 0027512 25023 | 0027529 25493 |
| Carp. 20 Stainless Steel Std. with C-20 S.S. Trim | Part No. Dwg. No. | 0027503 25012 | 0027508 25011 | 0027524 25492 | 0027513 25023 | 0027530 25493 |
| Chrome Plated Shaft Discontinued - For Replacement Specify Type 416 Stainless Steel | | | | | | |
| Type 302 Stainless Steel Shaft Discontinued - For Replacement, Type 416 Stainless Steel will be furnished unless. Type 316 Stainless is specified for #5 Bronze Pump or for Sea Water Application. | | | | | | |

| Item No. | Name of Part | Fig. 4011 | | Fig. 4021 | | Fig. 4021 HD | | |
|---|--|---------------|---------|-----------|---------|--------------|---------|-------|
| | | Part No. | Dwg. | Part No. | Dwg. | Part No. | Dwg. | |
| 24 | Impeller Nut - Castellated | | | | | | | |
| | Type 316 SS | 0065010 | ½" | 0065011 | ⅝" | 0065011 | ⅝" | |
| | Carp. 20 SS | 0016262 | ½" | 0016258 | ⅝" | 0016258 | ⅝" | |
| | Type 316 SS - 1½ L - 4M & larger | - | - | - | - | 0065012 | ⅞" | |
| 32 | Impeller Key - Woodruff | | | | | | | |
| | Type 316 S.S. "S" & "M" - 3" & smaller | 0030942 | - | 0030942 | - | 0030942 | - | |
| | Carp. 20 S.S. "S" & "M" - 3" & smaller | 0012463 | - | 0012463 | - | 0012463 | - | |
| | Type 316 S.S. - 1½ L - 4M & larger | 0065014 | - | 0065014 | - | 0065014 | - | |
| 46 269 | Coupling Key - ¼" Sq. x 2" | 0002205 | 114-932 | 0002205 | 114-932 | 0002205 | 114-932 | |
| | Cotter Pin - Type 316 S.S. | 0065016 | - | 0065017 | - | 0065017 | - | |
| | Carp 20 | 0016313 | - | 0016315 | - | 0016315 | - | |
| | For Imp. Nut 0065012 - Type 316 S.S. | - | - | - | - | 0065018 | - | |
| 270 | Impeller Washer | | | | | | | |
| | Type 316 SS | 0074626 | 18098 | - | - | - | - | |
| | Carp 20 SS | 0012468 | 18098 | - | - | - | - | |
| | Type 316 S.S. "S" & "M" - 3" & smaller | - | - | 0065020 | 18098 | 0065020 | 18098 | |
| | Carp. 20 S.S. "S" & "M" - 3" & smaller | - | - | 0012476 | 18098 | 0012476 | 18098 | |
| | Type 316 SS - 1½ L - 4M & larger | - | - | 0065021 | 18098 | 0065021 | 18098 | |
| 11 | Packing Box Cover | A.I. & B.F. | 0034248 | 24499 | 0034249 | 24683 | 0034250 | 25938 |
| | | #8 Bronze | 0034285 | 24499 | 0034286 | 24683 | 0034287 | 25938 |
| | | Type 316 S.S. | 0034321 | 24869 | 0034322 | 24907 | 0034323 | 25938 |
| | | C.Iron | - | - | - | - | 0016375 | 26341 |
| * 13 | Packing | JC1335 | 0030711 | - | 0030713 | - | 0072574 | |
| | | Teflon | 0026702 | - | 0034040 | - | 0034044 | |
| | | All Pax | 0043470 | - | - | - | - | |
| | | Garlock 927 | - | - | 0047753 | - | - | |
| Fig. 4011 & 4021 require 5 packing rings; Fig. 4021 HD requires 6 rings GAR 8913 Packing sizes are: Fig. 4011 - 5/16" x 4 1/8"; Fig. 4021 - 5/16" x 4 7/8"; Fig. 4021 HD - 5/16" x 5 1/4" | | | | | | | | |
| 17 Optional | Gland - Split Type w/2 Cap Screws and nuts | A.I. & B.F. | 0003761 | 111-652 | 0017026 | 112-556 | 0013319 | 11966 |
| | | #8 Bronze | 0009985 | 111-652 | 0017027 | 112-556 | 0013318 | 11966 |
| | | Type 316 S.S. | 0012471 | 111-797 | 0012494 | 111-920 | 0014828 | 11966 |

* Recommended spare parts

SECTION 95
PAGE 108
DATE 6/15



PUMPS & SYSTEMS

A Crane Co. Company

USA: (937) 778-8947 • Canada: (905) 457-6223 • International: (937) 615-3598

Repair Parts

| Item No. | Name of Part | Fig. 4011 | | Fig. 4021 | | Fig. 4021 HD | |
|----------|--|---|--|--|--|--|--|
| | | Part No. | Dwg. | Part No. | Dwg. | Part No. | Dwg. |
| 29 | Lantern Ring - Teflon - (2 Req'd) (4 Req'd for flushing bushing) | | | | | | |
| 208 | Pipe Plug - for Item 11 Iron Bronze Type 316 S.S. Carp. 20 | 0076638 0002553 0000018 0006251 0012453 | 119-511 1/8" | 0076639 | 119-511 | 0076640 | 119-511 |
| 209 | Cap Screw, Machine Bolt or Stud - Item 17 to Item 11 (2 Req'd) A.I. & B.F. #8 Bronze Type T8-B S.S. Carp 20 | 0003280 0000385 0000386 0000387 | 5/16" x 1 3/4" 5/16" x 1 3/4" 5/16" x 1 3/4" 5/16" x 1 3/4" | 0003280 0000385 0000386 0000387 | 5/16" x 1 3/4" 5/16" x 1 3/4" 5/16" x 1 3/4" 5/16" x 1 3/4" | 0000524 0012929 0021390 0021390 | 3/8" x 2" 3/8" x 2" 3/8" x 2" 3/8" x 2" |
| 210 | Hex Nut - For Item 209 Steel Brass Type 316 S.S. Carp 20 | 0000113 0002146 0006007 0006011 | 5/16" 5/16" 5/16" 5/16" | 0000113 0002146 0006007 0006011 | 5/16" 5/16" 5/16" 5/16" | 0001168 05536 0006012 0006013 | 3/8" 3/8" 3/8" 3/8" |
| * 241 | Gasket - Item 11 to Item 1 Vellutex Garlock 7705 | 0004553 0012464 | 111-969 111-969 | 0004553 0012464 | 111-969 111-969 | 0004553 0012464 | 111-969 111-969 |
| 243 | Grease Fitting - 1/8" | 0003131 | - | 0003131 | - | 0003131 | - |

| New Style - one piece gland - 4001, 4011, 4021, 4021H | | | | |
|---|-------------|---------|---------|---------|
| *17 | Standard CI | #8 BZ | 316 | Dwg. |
| 4001 Gland | 0107733 | 0107735 | 0107737 | 121-802 |
| 4011 Gland | 0107741 | 0107743 | 0107745 | 121-804 |
| 4021 Gland | 0107757 | 0107759 | 0107761 | 121-803 |
| 4021H Gland Packing | 0107749 | 0107751 | 0107753 | 121-801 |
| 4021H Gland Type 21 Double Seal | 124061 | 132795 | 132796 | 124061 |

NOTE: Above are new style one piece gland for packed pump or by turning gland over, it will work for Type 21 Double Seal.

* Recommended spare parts

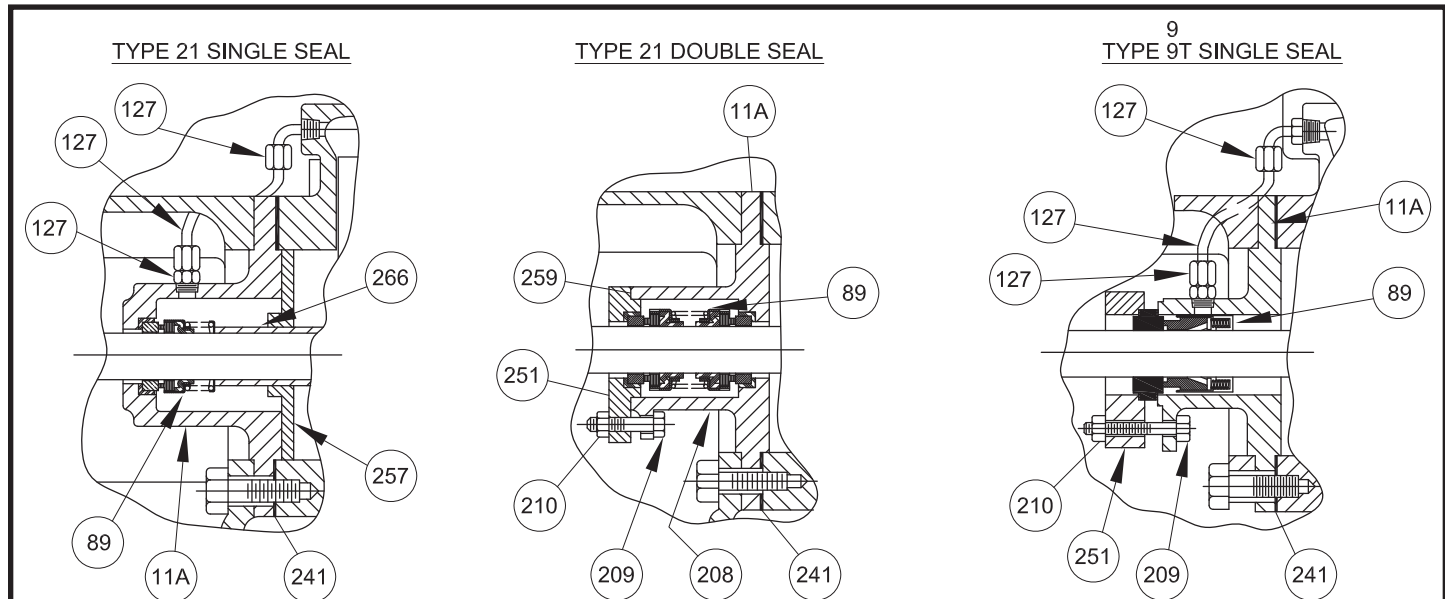
Parts for Fig. 4011-4021

Industrial Section 14
Bulletin 95

DEMING®

www.cranepumps.com

Repair Parts



Seal Head and Mechanical Seals

Please Order By The Part No.

| Item No. | Materials | Crane Type 21 Single Seal | | Crane Type 9 Single Seal | Crane Type 9T Single Seal | Crane Type 21 Double Seal | Dura. Type CRO Double Seal |
|----------------------------|-------------------------------|---------------------------|---------------------|--------------------------|---------------------------|---------------------------|----------------------------|
| | | Reg. Constr. | Choker Ring Constr. | | | | |
| 11A | Seal Head for Fig. 4011 | | | | | | |
| | Cast Iron | 0034253 | 0013443 | 0034258 | - | 0034263 | 0072788 |
| | #8 Bronze | 0034290 | Old Style | 0034294 | - | 0034298 | 0072789 |
| | Type 316 S.S. | - | - | - | - | - | 0034326 |
| | Alloy 20 S.S. | - | - | - | - | - | 0034334 |
| | Drawing No. | 26359 | 113-003 | 113-821 | - | 25238 | 112-733 |
| | Seal Head for Fig. 4021 | | | | | | |
| | Cast Iron | 0034254 | 0013902 | 0034259 | 0034249 | 0034264 | 0072790 |
| | #8 Bronze | 0034291 | Old Style | 0034295 | 0034286 | 0034299 | 0072791 |
| | Drawing No. | 25940 | 113-004 | 113-003 | 24683 | 25239 | 112-910 |
| | Type 316 S.S. | - | - | - | 0034322 | - | 0034327 |
| | Alloy 20 S.S. | - | - | - | 0034330 | - | 0034335 |
| Drawing No. | - | - | - | 24907 | - | 112-910 | |
| Seal Head for Fig. 4021 HD | | | | | | | |
| Cast Iron | 0034255 | 0010407 | 0034260 | - | 0034265 | 0034283 | |
| #8 Bronze | 0034292 | Old Style | 0034296 | - | 0034319 | 0034319 | |
| Drawing No. | 25939 | 26257 | 113-004 | - | 25863 | 25863 | |
| *89 | Seals for Fig. 4011 - 1" dia. | | | | | | |
| | BF1C1 | 0030878 | - | - | - | 0030896 | 0006916 |
| | BF171 | 0030879 | 0030879 | - | - | 0030897 | 0006916 |
| | XF1C1 | 0084878 | - | - | - | - | - |
| | XF171 | 0084879 | 0084879 | - | - | - | - |
| | QF1C1 | - | - | - | POA | - | - |
| | QF171 | - | - | - | POA | - | - |

* Recommended spare parts

SECTION 95
PAGE 110
DATE 4/09

CRANE
A Crane Co. Company

PUMPS & SYSTEMS

USA: (937) 778-8947 • Canada: (905) 457-6223 • International: (937) 615-3598

Repair Parts

| Please Order By The Part No. | | | | | | | |
|-------------------------------|--|---------------------------|---------------------|--------------------------|---------------------------|---------------------------|----------------------------|
| Item No. | Materials | Crane Type 21 Single Seal | | Crane Type 9 Single Seal | Crane Type 9T Single Seal | Crane Type 21 Double Seal | Dura. Type GRO Double Seal |
| | | Reg. Constr. | Choker Ring Constr. | | | | |
| *89 | Seals for Fig. 4021 - 1¼" Dia. | | | | | | |
| | BF1C1 | 0030880 | - | - | - | 0030898 | 0006917 |
| | BF171 | 0030881 | 0030881 | - | - | 0030899 | 0006917 |
| | XF1C1 | 0088459 | - | - | - | - | - |
| | XF171 | 0084881 | 0084881 | - | - | 0118930 | - |
| | QF1C1 | - | - | 0060645 | - | - | - |
| | QF171 | - | - | 0060644 | - | - | - |
| | Seals for Fig. 4021 HD - 1½" Dia. | | | | | | |
| | BF1C1 | 0030884 | - | - | - | 0030900 | 0026799 |
| | BF171 | 0030885 | 0030885 | - | - | 0030901 | 0026799 |
| | XF1C1 | 0084884 | - | - | - | - | - |
| | XF171 | 0084885 | 0084885 | - | - | - | - |
| | QF1C1 | - | - | - | - | - | - |
| | QF171 | - | - | - | - | - | - |
| 251 | Seal Gland for Fig. 4011 | | | | | | |
| | Cast Iron | None | 0013360 | 0013387 | - | 0013360 | 0013761 |
| | #8 Bronze | Required | - | 0013389 | - | 0013363 | 0014896 |
| | Drawing No. | | 113-000 | 113-822 | - | 113-000 | 112-732 |
| | Seal Gland for Fig. 4021 | | | | | | |
| | Cast Iron | None | 0013472 | 0013446 | 0013387 | 0013472 | 0013788 |
| | #8 Bronze | Required | - | 0013447 | 0013389 | 0013474 | 0014898 |
| | Drawing No. | | 113-001 | 114-008 | 113-822 | 113-001 | 112-911 |
| | Seal Gland for Fig. 4021 HD | | | | | | |
| | Cast Iron | None | 0014377 | 0013898 | - | 0014377 | 0014377 |
| | #8 Bronze | Required | - | 0013900 | - | 0014379 | 0014379 |
| | Drawing No. | | 115-121 | 115-197 | - | 115-121 | 115-121 |
| Item No. | Name of Part | Fig. 4011 | | Fig. 4021 | | Fig. 4021 HD | |
| | | Part No. | Dwg. | Part No. | Dwg. | Part No. | Dwg. |
| 209 | Machine Bolts - For Seal Gland (251) Shown (2 Req'd) | | | | | | |
| | Steel - For 0013387 | 0003725 | 5/16" x 1½" | - | - | - | - |
| | Steel - For 0013446 | - | - | 0003280 | 5/16" x 1¼" | - | - |
| | Steel - For 0013898 | - | - | - | - | 0003725 | 5/16" x 1½" |
| | Steel - For 0013360 & 0013761 | 0013367 | 5/16" x 1¼" | - | - | - | - |
| Steel - For 0013472 & 0013788 | - | - | 0013367 | 5/16" x 1¼" | - | - | |
| 209 | Machine Bolts - For Seal Gland (251) Shown (2 Req'd) | | | | | | |
| | Brass - For 0013389 | 0000381 | 5/16" x 1½" | - | - | - | - |
| | Brass - For 0013447 | - | - | 0000385 | 5/16" x 1¼" | - | - |
| | Brass - For 0013900 | - | - | - | - | 0000381 | 5/16" x 1½" |
| | Brass - For 0013363 & 0014896 | 0000377 | 5/16" x 1¼" | - | - | - | - |
| | Brass - For 0013474 & 0014898 | - | - | 0000377 | 5/16" x 1¼" | - | - |
| | Studs - For Seal Gland (251) Shown (2 Req'd) | | | | | | |
| | Steel - For 0014377 | - | - | - | - | 0000520 | 3/8" x 1½" |
| Type 416 S.S. - For 0014397 | - | - | - | - | 0014384 | 3/8" x 1½" | |
| 210 | Hex Nuts - For Item 209 | | | | | | |
| | 5/16 Steel | 0000113 | - | 0000113 | - | - | - |
| | 5/16 Brass | 0002146 | - | 0002146 | - | - | - |
| | ¾ Steel | - | - | - | - | 0001168 | - |
| ¾ Brass | - | - | - | - | 05536 | - | |
| 257 | Choker Ring - C.I. - For Hot Water Service with Seal | | | | | | |
| | For Part No. 0013343 | 0043626 | 117-890 | - | - | - | - |
| | Old Style Insert Ring | 0010404 | 116-174 | - | - | - | - |
| | For Part No. 0013902 | - | - | 0043632 | 117-892 | - | - |
| | Old Style Insert Ring | - | - | 0010403 | 116-173 | - | - |
| | For Part No. 0010407 | - | - | - | - | 0043628 | 117-891 |
| Old Style Insert Ring | - | - | - | - | 0010402 | 116-172 | |

* Recommended spare parts



Repair Parts

| Item No. | Name of Part | Fig. 4011 | | Fig. 4021 | | Fig. 4021 HD | |
|----------|---|-----------------------|---------|-----------|---------|--------------|---------|
| | | Part No. | Dwg. | Part No. | Dwg. | Part No. | Dwg. |
| 259 | Gasket - For Seal Glands Shown | | | | | | |
| | Vellutex | For 0013360 & 0013363 | 0013370 | - | - | - | - |
| | | For 0013761 & 0014896 | 0013731 | - | - | - | - |
| | | For 0013472 & 0013474 | - | - | 0013371 | - | - |
| | | For 0013788 & 0014898 | - | - | 0013732 | - | - |
| | | For 0014377 & 0014379 | - | - | - | - | 0014450 |
| | Garlock 7705 | For 0013360 | 0015135 | - | - | - | - |
| | | For 0013761 | 0043034 | - | - | - | - |
| | | For 0013472 | - | - | 0015138 | - | - |
| | | For 0013788 | - | - | 0074228 | - | - |
| | For 0014377 | - | - | - | - | 0014798 | |
| 266 | Spacer Sleeve Type 316 SS - For Type 21 Single Seal | | | | | | |
| | 1" x 1 1/4" Dia. x 1 13/16" Long | 0010389 | 19760 | - | - | - | - |
| | 1 1/4" x 1 1/2" Dia. x 1 5/16" Long - New Style | - | - | 0010391 | - | - | - |
| | 1 1/4" x 1 1/2" Dia. x 1 3/4" Long - Old Style | - | - | 0010390 | - | - | - |
| | 1 1/2" x 1 1/4" Dia. x 1 5/16" Long - New Style | - | - | - | - | 0014455 | - |
| | 1 1/2" x 1 1/4" Dia. x 1 3/4" Long - Old Style | - | - | - | - | 0010396 | - |

Item 127 - Recirculation Tubing And Parts

| | | |
|---------|---|---------|
| 0044072 | Tube - Copper - 1/4" O.D. - Item 45 Casing to Item 23 Stuff. Box Hd. Figs. 4011 & 4021 | 118-112 |
| 0039946 | Tube Assembly - For Standard Stuffing Box - Figs. 4011 & 4021 | |
| 0074239 | Tube Assembly - Brass - Figs. 4011 & 4021 | |
| 0074240 | Tube Assembly - SS - For Seal - Figs. 4011 & 4021 | |
| 0017076 | Tube - Copper - 3/8" O.D. - Item 45 Casing to Item 52 Seal Hd. Figs. 4011 & 4021 | 115-007 |
| 0001662 | Tube - SS - 1/4" O.D. - Item 45 Casing to Item 52 Seal Hd. - Figs. 4011 & 4021 | 115-007 |
| 0017077 | Tube - SS - 3/8" O.D. - Item 45 Casing to Item 52 Seal Hd. - Figs. 4011 & 4021 | 115-007 |
| 0014799 | Tube - Copper - 3/8" O.D. x 10" - Item 45 Casing to Item 52 Seal Head Figs. 4011 & 4021 - S & M - 3" and Smaller - for Hot Water | 115-007 |
| 0014800 | Tube - Copper - 3/8" O.D. x 12" - Item 45 Casing to Item 52 Seal Head Figs. 4021 & 4021 HD - 1 1/2" L - 4 M and Larger - for Hot Water | 115-007 |
| 0000030 | Connector - with Sleeve and Nut - Br. 90° - 1/4" Tube x 1/4" NPT | |
| 0001574 | Connector - with Sleeve and Nut - Br. 90° - 3/8" Tube x 1/4" NPT | |
| 0019116 | Connector - with Sleeve and Nut - 316 S.S. - 90° - 3/8" Tube x 1/4" NPT | |
| 0003740 | Connector - with Sleeve and Nut - Br. Straight - 1/4" Tube x 1/8" NPT | |
| 0000118 | Connector Only - Br. Straight - 1/4" Tube x 1/4" NPT | |
| 0020046 | Connector - with Sleeve and Nut - 316 S.S. Straight - 1/4" Tube x 1/4" NPT | |
| 0001570 | Connector - with Sleeve and Nut - Br. Straight - 3/8" Tube x 1/4" NPT | |
| 0013348 | Connector - with Sleeve and Nut - 316 S.S. Straight - 3/8" Tube x 1/4" NPT | |
| 0004423 | Connector - with Sleeve and Nut - 316 S.S. Straight - 1/4" Tube x 1/8" NPT | |
| 0021973 | Connector - with Sleeve and Nut - 316 S.S. - 90° - 1/4" Tube x 1/4" NPT | |
| 0000028 | Compression Nut - Brass - For 1/4" O.D. Tubing (2 Req'd) | |
| 0000029 | Compression Sleeve - Brass - For 1/4" O.D. Tubing (2 Req'd) | |

* Recommended spare parts