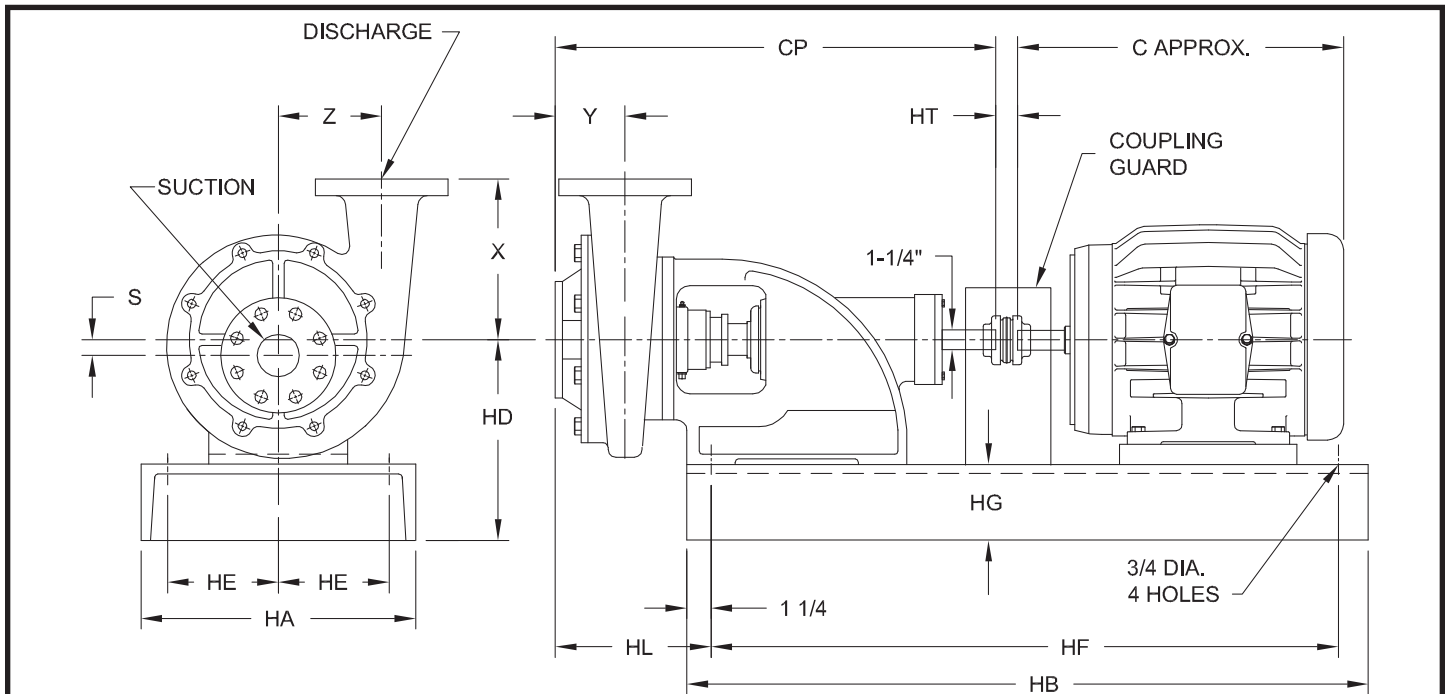
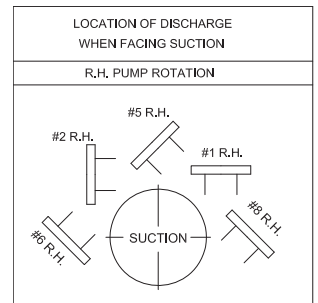


End Suction Centrifugal Pumps - Semi-Open Impeller



DIMENSIONS IN INCHES														
PUMP SIZE	SUCTION 125LB				DISCHARGE 125LB				X	Y	Z	CP	HL	S
	SIZE	DIA. FLG.	BOLTS	BOLT CIRCLE	SIZE	DIA. FLG.	BOLTS	BOLT CIRCLE						
1¼S	1½	5	4 - ½	3¾	1¼	4½	4 - ½	3½	6	3¾	4¾	23⅛	6 ¹³ / ₁₆	---
1½S	2	6	4 - ⅝	4¾	1½	5	4 - ½	3¾	5¼	3¾	4¾	23½	7 ³ / ₁₆	---
1½M	2	6	4 - ⅝	4¾	1½	5	4 - ½	3¾	6½	3¾	5¼	23⅝	7 ⁵ / ₁₆	---
1½L	2	6	4 - ⅝	4¾	1½	5	4 - ½	3¾	7½	3¾	6¾	23⅝	7 ⁵ / ₁₆	---
2S	2½	7	4 - ⅝	5½	2	6	4 - ⅝	4¾	6¼	3¾	4¾	23¾	7 ⁷ / ₁₆	---
2M	3	7½	4 - ⅝	6	2	6	4 - ⅝	4¾	7	3¾	5¼	23⅝	7 ⁹ / ₁₆	---
3S	4	9	8 - ⅝	7½	3	7½	4 - ⅝	6	7	5⅝	5¼	26	9¼	---
3M	4	9	8 - ⅝	7½	3	7½	4 - ⅝	6	8	5⅝	6¼	26	9¼	---
4M	5	10	8 - ¾	8½	4	9	8 - ⅝	7½	9	6⅝	6½	26⅝	10 ⁹ / ₁₆	½
5M, 5MS	6	11	8 - ¾	9½	5	10	8 - ¾	8½	9	6	7⅝	26½	10 ³ / ₁₆	½
6M, 6ML	6	11	8 - ¾	9½	6	11	8 - ¾	9½	9	6¼	8	26⅝	10 ⁹ / ₁₆	---



DISCHARGE POSITIONS SHOWN EACH 45°

BASE DIMENSIONS IN INCHES

FRAME NO	143T	145T	182T	184T	213T	215T	254T	256T	284TS	284T	286TS	286T	324TS	324T	326TS	326T	364TS	364T	365TS	365T
BASE NO.	27501	27502	27502	27503	27503	27503	27504	27505	27504	27505	27505	27505	27507	27507	27507	27507	27507	27507	27507	27508
HA	12	12	12	12	12	12	15	15	15	15	15	15	18	18	18	18	18	18	18	18
HB	28	32	32	36	36	36	40	43	40	43	43	43	46	46	46	46	46	46	46	51
C	13⅝	13⅝	14⅝	15⅝	17¼	19¼	22⅝	24⅝	24½	25⅞	26	27⅝	27¼	28¾	28¾	30¼	31	33⅝	32	34⅝
HD	10	10	10	10	10	10	10 ³ / ₈	10 ⁵ / ₈	10 ⁵ / ₈	10 ⁵ / ₈	10 ⁵ / ₈	10 ⁵ / ₈	12	12	12	12	13	13	13	13
HE	4¾	4¾	4¾	4¾	4¾	4¾	6	6	6	6	6	6	7½	7½	7½	7½	7½	7½	7½	7½
HF	25½	29½	29½	33½	33½	33½	37½	40½	37½	40½	40½	40½	43½	43½	43½	43½	43½	43½	43½	48½
HG	3	3	3	3	3	3	3⅝	3⅝	3⅝	3⅝	3⅝	3⅝	4	4	4	4	4	4	4	4
HT	¾	¾	¾	¾	¾	¾	1	1	1	1	1	1	1	1	1	1	1	1	1	1

Customer				Shop Order No.				Date:				By:			
Pump Data	Fig. No.	Size	Curve No.	GPM	Head	Sp. Gr.	Temp.	Rotation	Packing/Seal						
Motor Data	MFGR	Hp	RPM	Phase-Cycle Voltage			Frame	Enclosure	Insulation	Furnished by		Mounted			

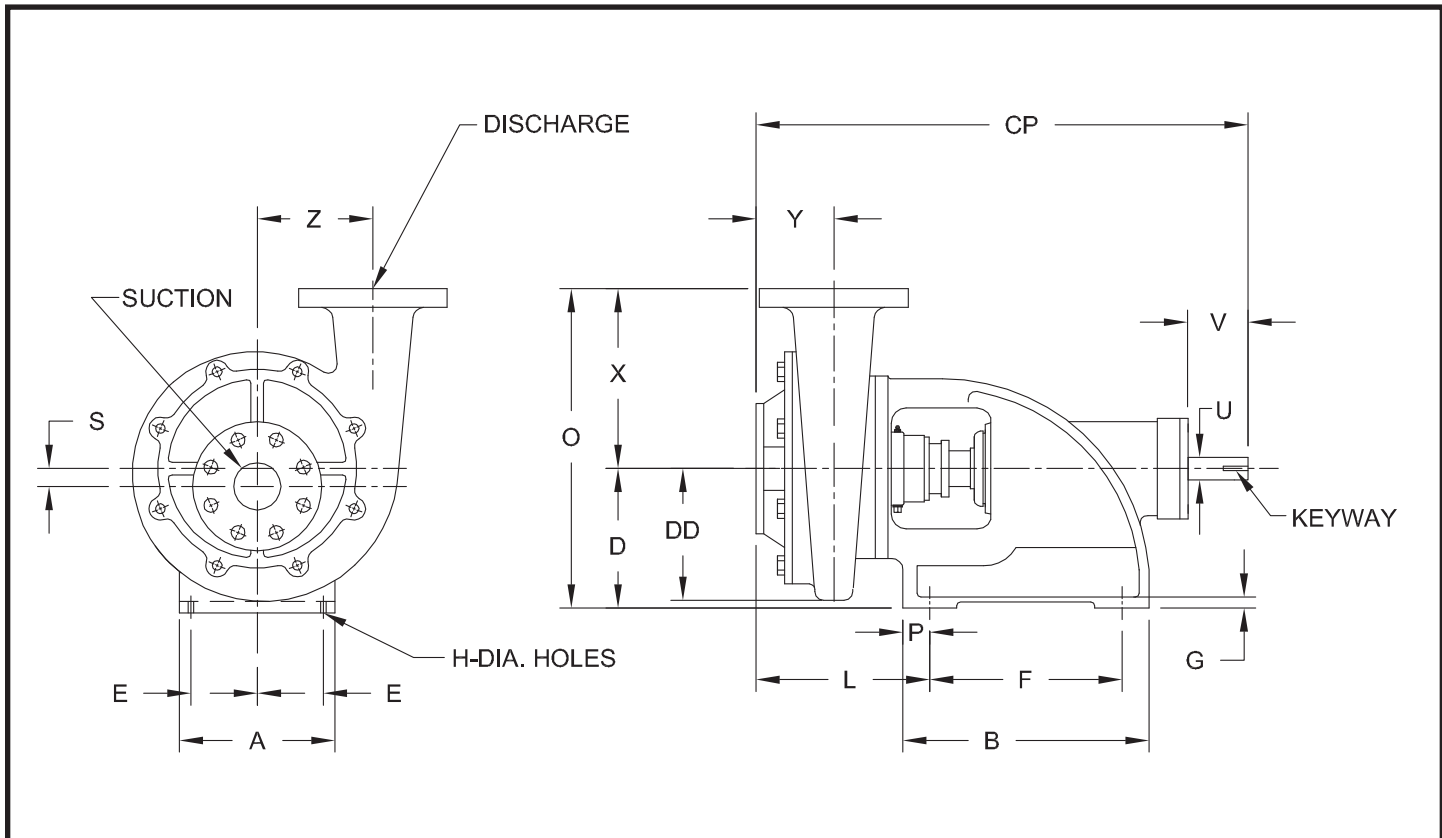
Fig. 4021 (or 4021H) - Sizes 3S, 3M, 4M, 5M, 5MS, 6M & 6ML
Sizes 1½S, 1½M, 1½L, 2S & 2M (Special Flanged)

Basic Pump
 Bulletin 4011

DEMING®

www.cranepumps.com

End Suction Centrifugal Pumps - Semi-Open Impeller



DIMENSIONS IN INCHES - FLANGES ARE 125LB A.S.A STD.

SIZE	SUCT.	DISCH.	A	B	CP	D	DD	E	F	G	H	L	O	P	S	U	V	X	Y	Z	KEYWAY
3S	4	3	8	11 ¹¹ / ₁₆	26	7	6	3 ³ / ₈	8 ¹ / ₂	1/2	5/8	10 ³ / ₁₆	14	1 ¹¹ / ₁₆	---	1/4	2 ³ / ₄	7	5 ⁷ / ₈	5 ¹ / ₄	1/4 x 1/8 x 2 1/4
3M	4	3	8	11 ¹¹ / ₁₆	26	7	7	3 ³ / ₈	8 ¹ / ₂	1/2	5/8	10 ³ / ₁₆	15	1 ¹¹ / ₁₆	---	1/4	2 ³ / ₄	8	5 ⁷ / ₈	6 ¹ / ₄	
4M	5	4	8	11 ¹¹ / ₁₆	26 ⁵ / ₈	7	7 ¹ / ₂	3 ³ / ₈	8 ¹ / ₂	1/2	5/8	10 ³ / ₄	16	1 ¹¹ / ₁₆	1/2	1/4	2 ³ / ₄	9	6 ³ / ₈	6 ¹ / ₂	
5M	6	5	8	11 ¹¹ / ₁₆	26 ¹ / ₂	7	8 ³ / ₈	3 ³ / ₈	8 ¹ / ₂	1/2	5/8	10 ⁵ / ₈	16	1 ¹¹ / ₁₆	1/2	1/4	2 ³ / ₄	9	6	7 ¹ / ₈	
5MS	6	5	8	11 ¹¹ / ₁₆	26 ¹ / ₂	7	8 ³ / ₈	3 ³ / ₈	8 ¹ / ₂	1/2	5/8	10 ⁵ / ₈	16	1 ¹¹ / ₁₆	1/2	1/4	2 ³ / ₄	9	6	7 ¹ / ₈	
6M	6	6	8	11 ¹¹ / ₁₆	26 ⁷ / ₈	*7	10	3 ³ / ₈	8 ¹ / ₂	1/2	5/8	11	16	1 ¹¹ / ₁₆	---	1/4	2 ³ / ₄	9	6 ¹ / ₄	8	
1½S	1½	1¼	8	11 ¹¹ / ₁₆	23 ³ / ₈	7	5 ⁵ / ₈	3 ³ / ₈	8 ¹ / ₂	1/2	5/8	7 ¹ / ₄	13	1 ¹¹ / ₁₆	---	1/4	2 ³ / ₄	6	3 ³ / ₈	4 ³ / ₄	1/4 x 1/8 x 2 1/4
1½S	2	1½	8	11 ¹¹ / ₁₆	23 ¹ / ₂	7	5 ⁵ / ₈	3 ³ / ₈	8 ¹ / ₂	1/2	5/8	7 ⁵ / ₈	12 ³ / ₄	1 ¹¹ / ₁₆	---	1/4	2 ³ / ₄	5 ³ / ₄	3 ³ / ₄	4 ³ / ₄	
1½M	2	1½	8	11 ¹¹ / ₁₆	23 ³ / ₈	7	6 ³ / ₈	3 ³ / ₈	8 ¹ / ₂	1/2	5/8	7 ³ / ₄	13 ¹ / ₂	1 ¹¹ / ₁₆	---	1/4	2 ³ / ₄	6 ¹ / ₂	3 ³ / ₄	5 ³ / ₄	
1½L	2	1½	8	11 ¹¹ / ₁₆	23 ³ / ₈	7	7 ³ / ₈	3 ³ / ₈	8 ¹ / ₂	1/2	5/8	7 ³ / ₄	14 ¹ / ₂	1 ¹¹ / ₁₆	---	1/4	2 ³ / ₄	7 ¹ / ₂	3 ³ / ₄	6 ³ / ₄	
2S	2½	2	8	11 ¹¹ / ₁₆	23 ³ / ₄	7	5 ³ / ₄	3 ³ / ₈	8 ¹ / ₂	1/2	5/8	7 ⁷ / ₈	13 ³ / ₄	1 ¹¹ / ₁₆	---	1/4	2 ³ / ₄	6 ¹ / ₄	3 ⁷ / ₈	4 ³ / ₄	
2M	3	2	8	11 ¹¹ / ₁₆	23 ³ / ₈	7	6 ¹ / ₂	3 ³ / ₈	8 ¹ / ₂	1/2	5/8	8	14	1 ¹¹ / ₁₆	---	1/4	2 ³ / ₄	7	3 ⁷ / ₈	5 ³ / ₄	

(*) Sufficient shims must be added for volute to clear floor
 NOTE: Flanged Connectors are special on size 2M and smaller.

Customer				Shop Order No.			Date:		By:	
Pump Data	Fig. No.	Size	Curve No.	GPM	Head	Sp. Gr.	Temp.	Rotation	Packing/Seal	
Motor Data	MFGR	Hp	RPM	Phase-Cycle Voltage		Frame	Enclosure	Insulation	Furnished by	Mounted

SECTION 14
 PAGE 22
 DATE 10/18



PUMPS & SYSTEMS

A Crane Co. Company

USA: (937) 778-8947 • Canada: (905) 457-6223 • International: (937) 615-3598