

DISCONTINUED



WARNING:
 CANCER AND REPRODUCTIVE HARM -
 WWW.P65WARNINGS.CA.GOV

Item No.	Name of Part	Item No.	Name of Part	Item No.	Name of Part
1	Casing	29	Lantern Ring	212	Cap Screws
2	Impeller	* 30	Impeller Nut Gasket	214	Drive Screws
9	Suction Head	32	Impeller Key	215	Cap Screws
11	Packing Box Cover	* 38	Sleeve Gasket	216	Pipe Plugs
* 13	Packing	71	Motor Adapter	219	Cap Screws
* 14	Shaft Sleeve	* 73	Suction Head Gasket	240	Pipe Plug
17	Split Gland	203	Nameplate	* 241	Casing Gasket
25	Suction Head Wearing Ring	208	Pipe Plug	243	Grease Fitting
26	Cap Screw	209	Gland Bolts	* 270	Impeller Washer
27	Casing Wearing Ring	210	Nut	* 272	"O" Ring

* Recommended spare parts



Repair Parts

DISCONTINUED

Liquid End Parts								
Pump Size	Construction Or Material	Items 1, 27 & 216 Casing W/ Wearing Ring & Pipe Plugs	Item 27 Casing Wearing Ring	Items 9, 25 & 240 Suction Head W/ Wearing Ring & Pipe Plugs		Item 25 Suction Head Wearing Ring	Item 73 Casing Gasket All Construction	
		Part No.	Part No.	Part No.		Part No.	* Part No.	
2½	B.F. and A.I.	0027550	0017916	0027547		0017916	0004468	
	Opt. Bronze Wear Ring	0027549	0017918	0027546		0017918		
	All Bronze	0027551	0017918	0027548		0017918		
	Drawing No.	4845	14456	25292		14456	19062	
1¼ S	B.F. and A.I.	0087614	0017916	0087617		0017969	0004476	
	Opt. Bronze Wear Ring	0087613	0017918	0087616		0017970		
	All Bronze	0087615	0017918	0087618		0017970		
	Drawing No.	4784	14456	27924		113-742	111-779	
1½ S	B.F. and A.I.	0027562	0017916	0027553		0017969	0004476	
	Opt. Bronze Wear Ring	0027561	0017918	0027552		0017970		
	All Bronze	0027563	0017918	0027554		0017970		
	Drawing No.	4782	14456	25428		113-742	111-779	
2 S	B.F. and A.I.	0027565	0017916	0027556		0019015	0004476	
	Opt. Bronze Wear Ring	0027564	0017918	0027555		0019014		
	All Bronze	0027566	0017918	0027557		0019014		
	Drawing No.	4711	14456	24678		111-276	111-779	
3 S	B.F. and A.I. Opt. Bronze Wear Ring All Bronze Drawing No.	0027568	0017916	4221 3500 RPM	4211 1750 RPM	4221 3500 RPM	4211 1750 RPM	0004476
		0027567	0017918	0027580	0027559	0017916	0019057	
		0027569	0017918	0027579	0027558	0017918	0019058	
		5137	14456	0027581	0027560	0017918	0019058	
				32557	32480	14456	113-710	111-779
1½ M	B.F. and A.I. Opt. Bronze Wear Ring All Bronze Drawing No.	0027589	0017916	0027571		0017969	0004474	
		0027588	0017918	0027570		0017970		
		0027590	0017918	0027572		0017970		
		4805	14456	32584		113-742	111-780	
2 M	B.F. and A.I. Opt. Bronze Wear Ring All Bronze Drawing No.	0027592	0017916	0027574		0017916	0004474	
		0027591	0017918	0027573		0017918		
		0027593	0017918	0027575		0017918		
		5125	14456	32491		11456	111-780	
3 M	B.F. and A.I. Opt. Bronze Wear Ring All Bronze Drawing No.	0027595	0017916	0027577		0019057	0004474	
		0027594	0017918	0027576		0019058		
		0027596	0017918	0027578		0019058		
		5123	14456	32470		113-710	111-780	
4 M & 4 MT	B.F. and A.I. Opt. Bronze Wear Ring All Bronze Drawing No.	0027598	0017916	0027583		0019057	0004474	
		0027597	0017918	0027582		0019058		
		0027599	0017918	0027584		0019058		
		4803	14456	32512		113-710	111-780	
5 M	B.F. and A.I. Opt. Bronze Wear Ring All Bronze Drawing No.	0027601	0017916	0027586		0018761	0004474	
		0027600	0017918	0027585		0018762		
		0027602	0017918	0027587		0018762		
		5101	14456	32518		113-743	111-780	
1½ L	B.F. and A.I. Opt. Bronze Wear Ring All Bronze Drawing No.	0040171	0017916	0040174		0017969	0004470	
		0040170	0017918	0040173		0017970		
		0040172	0017918	0040175		0017970		
		5214	14456	33289		113-742	112-301	
2 L	B.F. and A.I. Opt. Bronze Wear Ring All Bronze Drawing No.	0040177	0017916	0040180		0017916	0004470	
		0040176	0017918	0040179		0017918		
		0040178	0017918	0040181		0017918		
		5213	14456	33288		11456	112-301	

* Recommended spare parts

**Item No. 2 - Impeller
For Mounting on JP Frame Motors**

Please Order By The Part No.

Part No. shown is for any dia. in that pump size. Order as follows; Example, (1 Brz. Imp. for 4200 2S, Unit M20 Part No. 0018351 except 6" dia.)

Pump Size	Unit No.	Imp. Dia. Inch	Imp. Bore Inch	#8 Bronze Part No.	Cast Iron Part No.	Drawing No.				
1½ S	M-9	6¼	¾	0084680	0084682	34233				
	M-9A	7¾								
	M-10	8								
	M-14	5¾								
	M-14A	6¾								
1½ S	M-15	7½	1¼	0084678	0084676	119-975				
	M-15A	8								
1½ S	M-11	6¼	¾	0016958	0016953	25433				
	M-12	7¼								
	M-13	7¾								
	M-16	6¾					1¼	0016753	0016751	113-682
	M-17	7¾								
2 S	M-20	6	¾	0018351	0018342	25322				
	M-21	6¾								
	M-22	7¼								
	M-23	8								
	M-24	5½								
	M-25	5¾								
	M-26	6¾					1¼	0018372	0018363	113-451
	M-27	7¼								
	M-28	7¾								
	M-29	8								
3 S 4211	M-31	5½	¾	0015657	0015652	32479				
	M-32	5¾								
	M-33	6¼								
	M-34	7½								
	M-35	8					1¼	0015649	0015646	25331
3 S 4221	M-56	5¾	1¼	0018495	0018490	32555				
	M-57	6¾								
	M-58	6¾								
	M-59	7¾								
	M-60	8								
1½ L	M-6	9½	¾	0044966	0044964	33285				
	M-7	10¾								
	M-8	12					1¼	0044969	0044968	33286

Pump Size	Unit No.	Imp. Dia. Inch	Imp. Bore Inch	#8 Bronze Part No.	Cast Iron Part No.	Drawing No.				
2 L	M-52	9¾	¾	0044975	0044973	33287				
	M-53	11	1¼	0044978	0044977	33288				
	M-54	12								
1½ M	M-37	8	¾	0012599	0012593	32583				
	M-38	9¼								
	M-39	10					1¼	0018414	0018409	25501
	M-76	7¾								
	M-77	8½								
M-78	9¼									
M-79	10									
2 M	M-40	7	¾	0018428	0018421	32487				
	M-41	8¾								
	M-42	9¾					1¼	0018454	0018447	25342
	M-43	10								
	M-44	7¼								
	M-45	7 ¹¹ / ₁₆								
M-46	8¾									
3 M	M-47	6	¾	0015850	0015844	32471				
	M-48	7								
	M-49	7¾					1¼	0018479	0018473	25319
	M-50	8¾								
M-51	9¾									
4 M	M-61	6¾	¾	0017183	0017178	32511				
	M-62	7¾					1¼	0017208	0017203	25370
	M-63	8¾								
	M-64	9¾								
	M-65	10								
4 MT	M-66	5¾	1¼	0013694	0013689	32656				
	M-67	6								
	M-68	6¼								
	M-69	6¾								
5 M	M-70	7¼	¾	0018526	0018521	4920				
	M-71	8								
	M-72	8¾								
	M-73	9¾								
	M-74	10								

DISCONTINUED

* Recommended spare parts

Repair Parts

**Item No. 2 - Impeller
For Mounting on TCZ & JPZ Frame Motors**

Please Order By The Part No.

Part No. shown is for any dia. in that pump size. Order as follows; Example, (1 Brz. Imp. for 4200 2S, Unit M20 Part No. 0018351 except 6" dia.)

DISCONTINUED

Pump Size	Unit No.	Imp. Dia. Inch	Imp. Bore Inch	#8 Bronze Part No.	Cast Iron Part No.	Drawing No.				
2½	M-3	5⅝	¾	0015790	0016432	32504				
	M-4	6								
	M-5	7								
1¼ S	M-9	6¼	¾	0084680	0084682	34233				
	M-9A	7⅝								
	M-10	8								
	M-14	5¼								
	M-14A	6¾								
	M-15	7½								
	M-15A	8								
1½ S	M-11	6¼	¾	0016958	0016953	25433				
	M-12	7⅞								
	M-13	7¾								
	M-16	6⅝								
	M-17	7¾								
2 S	M-20	6	¾	0018351	0018342	25322				
	M-21	6¾								
	M-22	7⅞								
	M-23	8								
	M-24	5⅝								
	M-25	5⅝								
	M-26	6⅝								
	M-27	7⅞								
	M-28	7¾					1¼	0018372	0018363	113-451
	M-29	8								
3 S 4211	M-31	5½	¾	0015657	0015652	32479				
	M-32	5⅝								
	M-33	6¼								
	M-34	7½								
	M-35	8								
3 S 4221	M-56	5¾	¾	0073038	0073037	33927				
	M-57	6⅝								
	M-58	6⅞					1¼	0018495	0018490	32555
	M-59	7⅝								
M-60	8									
1½ L	M-6	9½	1¼	0044966	0044964	33287				
	M-7	10⅞								
	M-8	12								

Pump Size	Unit No.	Imp. Dia. Inch	Imp. Bore Inch	#8 Bronze Part No.	Cast Iron Part No.	Drawing No.				
2 L	M-52	9⅝	¾	0044978	0044977	33288				
	M-53	11								
	M-54	12								
1½ M	M-37	8	¾	0012599	0012593	32583				
	M-38	9¼								
	M-39	10								
	M-76	7¾					1¼	0018414	0018409	25501
	M-77	8½								
M-78	9¼									
M-79	10									
2 M	M-40	7	¾	0018428	0018421	32487				
	M-41	8⅝								
	M-42	9⅝								
	M-43	10								
	M-44	7¼					1¼	0018454	0018447	25342
M-45	7 ¹¹ / ₁₆									
M-46	8¾									
3 M	M-47	6	¾	0015850	0015844	32471				
	M-48	7								
	M-49	7⅞								
	M-50	8¾								
	M-51	9⅞					1¼	0018479	0018473	25319
4 M	M-61	6¼	¾	0017183	0017178	32511				
	M-62	7⅝								
	M-63	8⅝								
	M-64	9⅞					1¼	0017208	0017203	25370
	M-65	10								
4 MT	M-66	5¼	1¼	0013694	0013689	32656				
	M-67	6								
	M-68	6¼								
M-69	6¼									
5 M	M-70	7⅞	¾	0073040	0073039	41490				
	M-71	8								
	M-72	8⅝								
	M-73	9⅞								
	M-74	10								

NOTE: Refer to page 143 and verify dimension "U" for impeller bore.

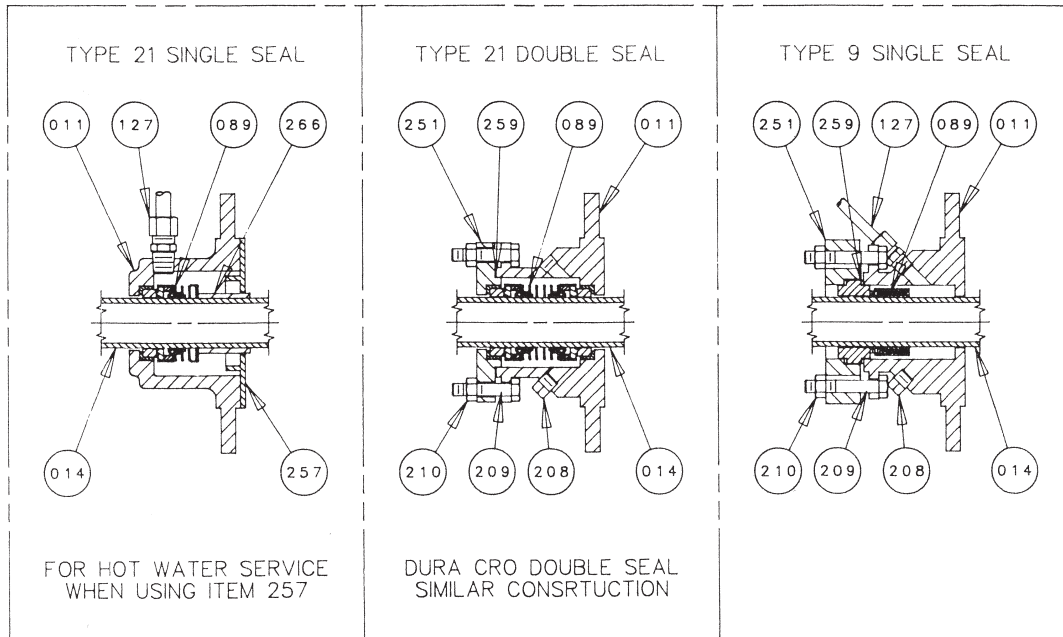
* Recommended spare parts

Support Head Assembly						
Motor Dimensions						
Please Order by the Part No.						
Frames	JP Frame West Coast Frame U/UC Frame	143-184 JP 143-145 TCZ 182-184 C	182-215 TCZ 213-215 C	213-256 JP 254-256 TCZ 254-256 UC	284-286 TCZ 284-286 UC	284-326 JP 324-326 TCZ 324-326 UC
Dimensions (inches)	Motor Flange Dowel - AK	4½	8½	8½	10½	12½
	Bolt Circle - AJ	5½	7¼	7¼	9	11
	Shaft Extension - AH	7 ⁵ / ₁₆	7 ⁵ / ₁₆	8½	8½	8½
	Shaft Dia. at Imp. - U	¾	¾	1¼	1¼	1¼
	Shaft Dia. at Sleeve - XB	1	1	1½	1½	1½
	Sleeve Diameter	1¼	1¼	1½	1½	1½
Item No.	Description	Part No.	Part No.	Part No.	Part No.	Part No.
* 14	Shaft Sleeve 316 SS 440 C	0099115 0075358	0099115 0075358	0086019 0076967	0086019 0076967	0086019 0076967
26	Cap Screw	0053313	0053313	0053315	0053315	0053315
* 30	Gasket, Impeller Nut	0068369	0068362	0068363	0068363	0068363
32	Key	0017546	0017546	0011260	0011260	0011260
* 38	Gasket, Sleeve	0068369	0068369	0068367	0068367	0068367
71	Motor Adapter 4201 4211-4221	0017544 0017542	0017610 0017608	0017613 0017611	N.A. 0017633	N.A. 0017635
203	Nameplate	0006406	0006406	0006406	0006406	0006406
212	Cap Screw, Casing (4 Req'd)	0000434	0000434	0000434	0000434	0000434
214	Drive Screw (2 Req'd)	0001146	0001146	0001146	0001146	0001146
219	Cap Screw, Motor (4 Req'd)	0000397	0000431	0000432	0000432	0000451
* 241	Gasket, Casing 4201 4211-4221	0006227 0004553	0006227 0004553	0006227 0004553	N.A. 0004553	N.A. 0004553
* 270	Impeller Washer	0081097	0081097	0068347	0068347	0068347
* 272	"O" Ring	0068366	0068366	0068365	0068365	0068365
Item No.	Description	Part No.	Part No.	Part No.	Part No.	Drawing No.
215	Cap Screw (8 Req'd Except Size 1½ L and 2 L Require 12)				0000431	
216				Pipe Plug (4 Req'd) Cast Iron Bronze	0002009 0000019	
240				Pipe Plug (1 Req'd) Cast Iron Bronze	0002009 0000019	

DISCONTINUED

* Recommended spare parts

Repair Parts



DISCONTINUED

Packing and Mechanical Seal Assemblies								
Please Order By The Part No.								
Item No.	Description	Packing Part No.	J.C. Type 21 Single Seal		J.C. Type 21 Double Seal Part No.	J.C. Type 9 Single Seal Part No.	Dura CRO Double Seal Part No.	
			Std. Const. Part No.	Hot Water Part No.				
For use with Motor Frames 143-184 JP, 143-145 TCZ, and 182-184 C								
11	Packing Box Cover							
	4201	Cast Iron Bronze	0017606 0017607	0019104 0019105	0019104 N.A.	0019094 0019095	0017606 0017607	0019075 0019076
	4211, 4221	Cast Iron Bronze	0009885 0001282	0013438 0013440	0013438 N.A.	0013468 0013470	0009885 0001282	0013827 0013828
* 13	Packing (5 Req'd)	Std. Teflon	0030713 0087938	N.R.	N.R.	N.R.	N.R.	N.R.
17	Packing Gland	Cast Iron Bronze	0017026 0017027	N.R.	N.R.	N.R.	N.R.	N.R.
29	Lantern Ring (2 Req'd)		0076639	N.R.	N.R.	N.R.	N.R.	N.R.
* 89	Mechanical Seal	BF1C1 BF171 QF1C1 QF171 EX5 - TV	N.R.	0030880 0030881	0030881	0030898 0030899	0060645 0060644	0006917
208	Pipe Plug	Cast Iron Brass	0002553 0000018	N.R.	N.R.	0002553 0000018	0002553 0000018	0002553 0000018
209	Cap Screw (2 Req'd)	Steel Brass	0003717 0017630	N.R.	N.R.	0013367 0013368	0003280 0000385	0013367 0013368
210	Hex Nut (2 Req'd)	Steel Brass	0000113 0002146	N.R.	N.R.	0000113 0002146	0000113 0002146	0000113 0002146
251	Seal Gland	Cast Iron Bronze	N.R.	N.R.	N.R.	0013472 0013474	0013387 0013389	0013788 0014898
257	Choker Ring	Cast Iron Bronze	N.R.	N.R.	0043632 0043634	N.R.	N.R.	N.R.
* 259	Gland Gasket	Velbuna JM86A	N.R.	N.R.	N.R.	0013371 0015138	0013371 0015138	0013371 0015138
266	Spacer Sleeve		N.R.	0010391	0010391	N.R.	N.R.	N.R.

* Recommended spare parts

* NR - Not Required

Packing and Mechanical Seal Assemblies								
Please Order By The Part No.								
Item No.	Description	Packing Part No.	J.C. Type 21 Single Seal		J.C. Type 21 Double Seal Part No.	J.C. Type 9 Single Seal Part No.	Dura CRO Double Seal Part No.	
			Std. Const. Part No.	Hot Water Part No.				
For use with Motor Frames 213-326 JP, 254-326 TCZ, and 254-326 UC								
11	Packing Box Cover							
	4201	Cast Iron Bronze	0017616 0017617	0044497 0044498	0044497 N.A.	0019092 0019093	0017616 0017617	0019324 0019325
	4211, 4221	Cast Iron Bronze	0015879 0017614	0044493 0044495	0044493 N.A.	0019084 0019086	0019102 0019103	0019326 0019327
* 13	Packing (5 Req'd)	Std. Teflon	0072344 0087937	N.R.	N.R.	N.R.	N.R.	N.R.
17	Packing Gland	Cast Iron Bronze	0017618 0017624	N.R.	N.R.	N.R.	N.R.	N.R.
29	Lantern Ring (2 Req'd)		0076641	N.R.	N.R.	N.R.	N.R.	N.R.
* 89	Mechanical Seal	BF1C1 BF171 QF1C1 QF171 EX5 - TV	N.R.	0030886 0030887	0030887	0030902 0030903		0019121
208	Pipe Plug	Cast Iron Brass	0002553 0000018	N.R.	N.R.	0002553 0000018	0002553 0000018	0002553 0000018
209	Cap Screw (2 Req'd)	Steel Brass	0003717 0017630	N.R.	N.R.	0000371 0000372	0000376 0000377	0000371 0000372
210	Hex Nut (2 Req'd)	Steel Brass	0000113 0002146	N.R.	N.R.	0000113 0002146	0000113 0002146	0000113 0002146
251	Seal Gland	Cast Iron Bronze	N.R.	N.R.	N.R.	0019069 0019071	0019077 0019079	0019073 0019074
257	Choker Ring	Cast Iron Bronze	N.R.	N.R.	0043640 0043641	N.R.	N.R.	N.R.
* 259	Gland Gasket	Velbuna JM86A	N.R.	N.R.	N.R.	0019081 0019295	0019081 0019295	0019081 0019295
256	Spacer Sleeve		N.R.	0044434	0044434	N.R.	N.R.	N.R.

DISCONTINUED

Lubrication Fittings for packing or Seals		
Item No.	Description	Part No.
127	For Packing - Bronze Fitted or All Bronze	
	Tubing - Copper ¼" x 7" long	0017024
	Connector - 90° ¼" x ¼" NPT Brass	0000030
	Connector - Straight ¼" x ¼" NPT Brass	0003740
	For Single Type 21 Seal - Bronze Fitted or All Bronze	
	Tubing - Copper ⅜" x 9" long	0017076
	Connector - 90° ⅜" x ¼" NPT Brass	0001574
	Connector - Straight ⅜" x ¼" NPT Brass	0001570
	For Single Type 21 Seal - All Iron	
	Tubing - 316 S.S. ⅜" x 9" long	0017077
	Street Elbow - ¼" - 90° Galvanized	0001807
	Connector - Straight ⅜" x ¼" NPT 316 S.S. (2 Req'd)	0013348
243	For Single Type 21 Seal - Hot Water Pump - Bronze Fitted	
	Tubing - Copper ⅜" x 12" long	0014800
	Connector - 90° ⅜" x ¼" NPT Brass	0001574
	Connector - Straight ⅜" x ¼" NPT Brass	0001570

* Recommended spare parts

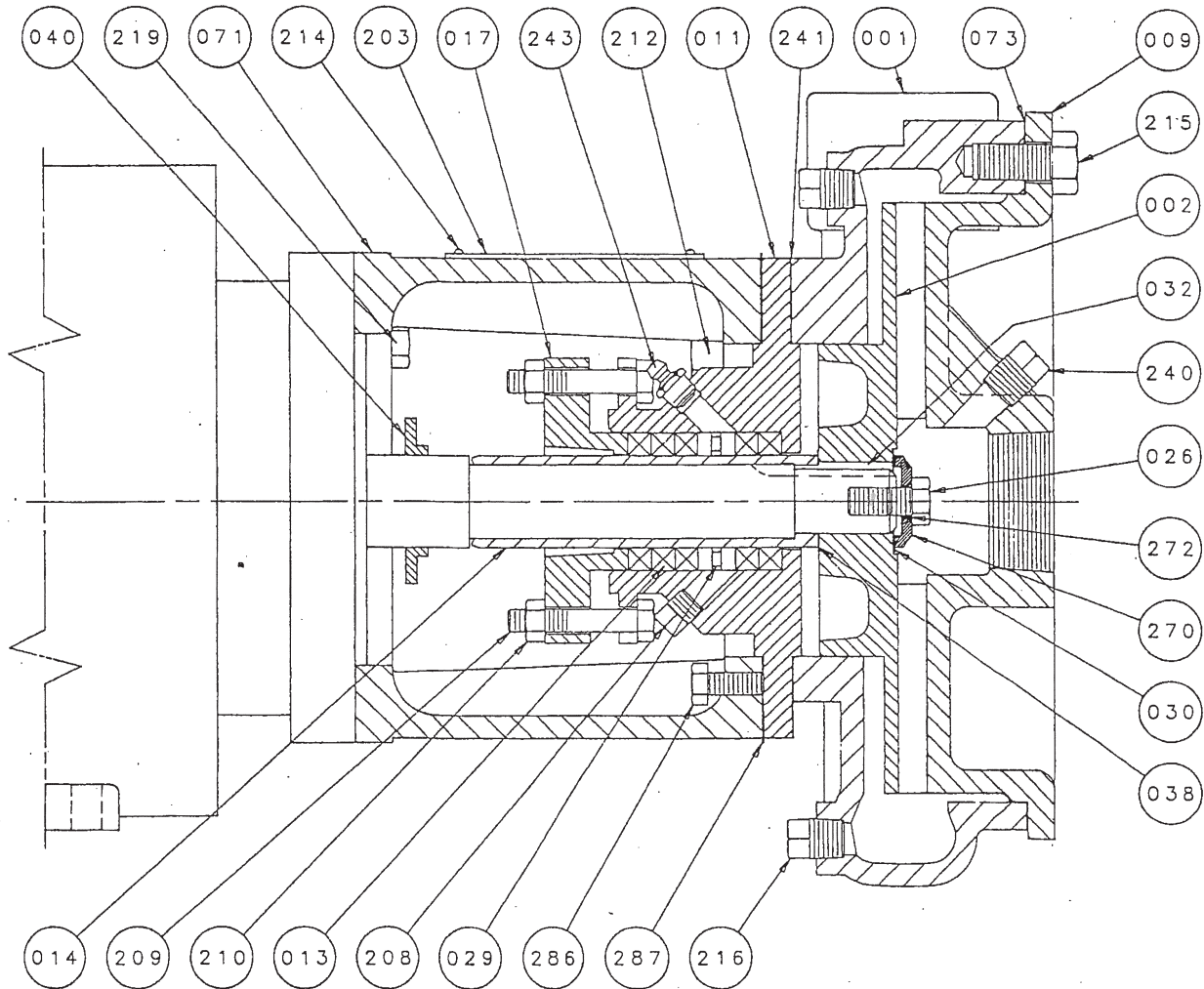
* NR - Not R



Repair Parts

This page intentionally left blank

Repair Parts



WARNING:
 CANCER AND REPRODUCTIVE HARM -
 WWW.P65WARNINGS.CA.GOV

Item No.	Name of Part	Item No.	Name of Part	Item No.	Name of Part
1	Casing	32	Impeller Key	214	Drive Screws
2	Impeller	* 38	Shaft Gasket	215	Cap Screws
9	Suction Head	40	Slinger	216	Pipe Plugs
11	Packing Box Cover	71	Motor Adapter	219	Cap Screws
*13	Packing	* 73	Suction Head Gasket	240	Pipe Plug
* 14	Shaft Sleeve	203	Nameplate	* 241	Casing Gasket
17	Split Gland	208	Pipe Plug	243	Grease Fitting
* 26	Impeller Screw	209	Gland Bolts	* 270	Impeller Washer
29	Lantern Ring	210	Nut	* 272	O-Ring
* 30	Impeller Washer Gasket	212	Cap Screws	286	Jackscrew
				* 287	Shim (Adjustment)

* Recommended spare parts

Repair Parts

Liquid End Parts

Pump Size	Construction Or Material	Items 1 & 216 (1 & 215 for Alloy Pumps)				Items 9 & 240 (9 only for Alloy Pumps)				Item 73 Suct. Head Gasket * Part No.
		Casing		Suction Head		Casing		Suction Head		
		Threaded	Flanged	Threaded	Flanged	Threaded	Flanged	Threaded	Flanged	
		Part No.	Dwg. No.	Part No.	Dwg. No.	Part No.	Dwg. No.	Part No.	Dwg. No.	
1"	B.F. and A.I. All Bronze 316 SS	0034085	32308	0034134	32342	0030076	24804	0034224	25121	0004466
		0034090	32308	0034142	32342	0034200	24804	0034231	25121	0004466
		N.A.	-	0034108	32309	N.A.	-	0010637	24878	0010641
1½"	B.F. and A.I. All Bronze 316 SS	0034086	4849	0034135	4867	0030077	24891	0034225	25128	0004466
		0034091	4849	0034143	4867	0034201	24891	0034232	25128	0004466
		N.A.	-	0034109	4850	N.A.	-	0010750	24801	0010641
2½"	B.F. and A.I. All Bronze 316 SS	0034087	4845	N.A.	-	0030078	25056	N.A.	-	0004468
		0034092	4845	N.A.	-	0034202	25056	N.A.	-	0004468
		N.A.	-	N.A.	-	N.A.	-	N.A.	-	N.A.
1 S	B.F. and A.I. All Bronze 316 SS	N.A.	-	N.A.	-	N.A.	-	N.A.	-	N.A.
		N.A.	-	N.A.	-	N.A.	-	N.A.	-	N.A.
		N.A.	-	0034110	4841	N.A.	-	0010925	25026	0010929
1¼ S	B.F. and A.I. All Bronze 316 SS	0034072	4784	0034136	4847	0030079	24586	0034226	25024	0004476
		0034093	4784	0034144	4847	0034203	24586	0034233	25024	0004476
		N.A.	-	N.A.	-	N.A.	-	N.A.	-	N.A.
1½ S	B.F. and A.I. All Bronze 316 SS	0034073	4782	0034137	4861	0030080	24738	0034227	25113	0004476
		0034094	4782	0034145	4861	0034204	24738	0039015	25113	0004476
		N.A.	-	0070095	4861	N.A.	-	0041947	25113	0010929
2 S	B.F. and A.I. All Bronze 316 SS	0034075	4711	0034139	4863	0030082	24297	0034229	25115	0004476
		0034096	4711	0034147	4863	0034206	24297	0034236	25115	0004476
		N.A.	-	0034111	4796	N.A.	-	0011166	24796	0010929
3 S	B.F. and A.I. All Bronze 316 SS	N.A.	-	0034077	5137	N.A.	-	0030084	32300	0004476
		N.A.	-	0034098	5137	N.A.	-	0034208	32300	0004476
		N.A.	-	N.A.	-	N.A.	-	N.A.	-	N.A.
4 S	B.F. and A.I. All Bronze 316 SS	N.A.	-	0034079	41121	N.A.	-	0030086	33038	0004476
		N.A.	-	0034100	41121	N.A.	-	0034210	33038	0004476
		N.A.	-	0070098	41162	N.A.	-	0029375	33175	0010929
1½ M	B.F. and A.I. All Bronze 316 SS	0034074	4805	0034138	4862	0030081	32188	0034228	32337	0004474
		0034095	4805	0034146	4862	0034205	32188	0039016	32337	0004474
		N.A.	-	0070096	4862	N.A.	-	0046309	32337	0011307
2 M	B.F. and A.I. All Bronze 316 SS	0034076	5125	0034140	5138	0030083	32146	0034230	32340	0004474
		0034097	5125	0034148	5138	0034207	32146	0034237	32340	0004474
		N.A.	-	0034112	4846	N.A.	-	0011301	32303	0011307
3 M	B.F. and A.I. All Bronze 316 SS	N.A.	-	0034078	5123	N.A.	-	0030085	32131	0004474
		N.A.	-	0034099	5123	N.A.	-	0034209	32131	0004474
		N.A.	-	0109536	41440	N.A.	-	0011570	32211	0011307
4 M	B.F. and A.I. All Bronze 316 SS	N.A.	-	0034080	4803	N.A.	-	0030087	32161	0004474
		N.A.	-	0034101	4803	N.A.	-	0034211	32161	0004474
		N.A.	-	0109537	41441	N.A.	-	0011718	32246	0011307
5 M 5 MS	B.F. and A.I. All Bronze 316 SS	N.A.	-	0034081	5101	N.A.	-	0030088	32221	0004474
		N.A.	-	0034102	5101	N.A.	-	0034212	32221	0004474
		N.A.	-	0109538	41442	N.A.	-	0011938	32257	0011307
6 M	B.F. and A.I. All Bronze 316 SS	N.A.	-	0034082	5163	N.A.	-	0030089	32638	0004474
		N.A.	-	0034103	5163	N.A.	-	0034213	32638	0004474
		N.A.	-	0109539	41408	N.A.	-	0036652	32638	0011307

Item No.	Name and Description	B.F. - A.I. Part No.	A.B. Part No.	316 SS Part No.
215	Cap Screw (Stud / Nut for 316 SS Pumps) Size 1, 1½, 2½ - (6 Req'd)	0003804	0031024	0012712 / 0006018
	All Other Sizes - (8 Req'd)	0000431	0009986	0012712 / 0006018
216	Pipe Plug (4 Req'd)	0002009	0000019	0006251
240	Pipe Plug (1 Req'd)	0002009	0000019	0006251

* Recommended spare parts

**Item No. 2 - Impeller (BRZ. & C.I.)
For Mounting on JP Frame Motors**

Please Order By The Part No.

Part No. shown is for any dia. in that pump size. Order as follows; Example, (1 Brz. Imp. for 4240 2S, Unit M454 Part No. 0108298 except 7½" dia.)

Pump Size	Unit No.	Imp. Dia. Inch	Imp. Bore Inch	Cast Iron Part No.	#8 Bronze Part No.	Drawing No.
1"	M408	5¼ to 6	¾	0108281	0108283	29667
	M407	5¼ to 5½				
	M406	4¾ to 5½				
	M405	to 4¾				
1½"	M414	5¾ to 6	¾	0108285	0108287	29668
	M413	5¼ to 5½				
	M412	to 5½				
2½"	M418	6½ to 6¾	¾	0108289	0108291	29669
	M417	6 to 6¾				
	M416	5½ to 5½				
	M415	to 5½				
1¼ S	M434	7¼ to 8	¾	0108293	0108294	29650
	M433	7 to 7¼				
	M432	to 6¾				
1½ S	M439	7½ to 8	¾	0108295	0108296	29651
	M438	6¾ to 7¾				
	M437	to 6¾				
2 S	M454	7¼ to 8	¾	0108297	0108298	29652
	M453	6¾ to 7¼				
	M452	6 to 6¾				
	M451	to 5½				
3 S	M464	7¾ to 8	¾	0108299	0108300	29654
	M463	6¾ to 7¼				
	M462	6¾ to 6½				
	M461	to 6¼				
4 S	M482	6½ to 7¼	¾	0108301	0108302	29661
	M481	6 to 6 ⁹ / ₁₆				
	M480	to 5 ¹⁵ / ₁₆				

Pump Size	Unit No.	Imp. Dia. Inch	Imp. Bore Inch	Cast Iron Part No.	#8 Bronze Part No.	Drawing No.
1½ M	M442	9½ to 10	1¼	0108305	0108307	35683
	M441	to 9	¾	0108303	0108304	35657
2 M	M458	9¾ to 10	1¼	0108311	0108313	35684
	M457	8¾ to 9¼	¾	0108309	0108310	35658
3 M	M469	9¾ to 10	1¼	0108317	0108319	29670
	M468	9 to 9½	¾	0108315	0108316	29664
	M467	8¾ to 8¾				
	M466	7¾ to 8¾				
M465	to 7¼					
4 M	M474	9½ to 10	1¼	0108323	0108325	35677
	M473	8½ to 9	¾	0108321	0108322	35662
	M472	7¾ to 8¾				
	M471	to 7¾				
M478	9¾ to 9½	1¼				
5 MS	M494	9¾ to 10	1¼	0108323	0108325	35677
	M493	8¾ to 9¼				
	M492	8½ to 8½				
	M491	7¾ to 8				
	M490	to 7¼				
6	M498	8¾ to 9¼	1¼	0108331	0108333	35681
	M497	7¾ to 8¾				
	M496	to 7¼				

**Item No. 2 - Impeller (Alloy)
For Mounting on JP Frame Motors**

Please Order By The Part No.

Part No. shown is for any dia. in that pump size. Order as follows; Example, (1 Brz. Imp. for 4240 2S, Unit M454A Part No. 0109500 except 7½" dia.)

Pump Size	Unit No.	Imp. Dia. Inch	Imp. Bore Inch	316 SS Part No.	Drawing No.
1"	M408A	5 to 6	¾	0109496	29685
1½"	M414A	5 to 6	¾	0109497	29686
1 S	M434A	7¼ to 8	¾	0109498	29687
1½ S	M440A	7¾ to 8	¾	0109499	29651
	M439A	7¼ to 7½			
2 S	M455A	7¾ to 8	¾	0109500	29688
	M454A	7¼ to 7¼			
	M453A	6¾ to 7			
	M452A	5½ to 6¼			
4 S	M482A	6¾ to 7¾	¾	0109501	29689
	M481A	to 6½			
1½ M	M442A	8¾ to 10	1¼	0109503	35683
	M441A	to 8¾	¾	0109502	35657
2 M	M458A	9¾ to 10	1¼	0109505	35707
	M457A	8¾ to 9¼	¾	0109504	35706
	M456A	to 8½			

Pump Size	Unit No.	Imp. Dia. Inch	Imp. Bore Inch	316 SS Part No.	Drawing No.
3 MD	M469A	9¾ to 10	1¼	0109507	29691
	M468A	8¾ to 9¼	¾	0109506	29690
	M467A	8½ to 8½			
	M466A	7¾ to 8			
M465A	to 7				
4 MD	M474A	8¾ to 10	1¼	0109509	35709
	M473A	8¾ to 8¾	¾	0109508	35708
	M472A	7¾ to 8¼			
M471A	to 7½				
5 MD	M478A	9¾ to 9½	1¼	0109510	35710
	M477A	8¾ to 9	¾	0109509	35709
	M476A	to 8			
5 MSD	M494A	9¾ to 10			
	M493A	8¾ to 9¼			
	M492A	8½ to 8½			
	M491A	7¾ to 8			
	M490A	to 7¼			
6 MD	M498A	8¾ to 9¼	1¼	0109511	35681
	M497A	7¾ to 8¾			
	M496A	to 7¼			

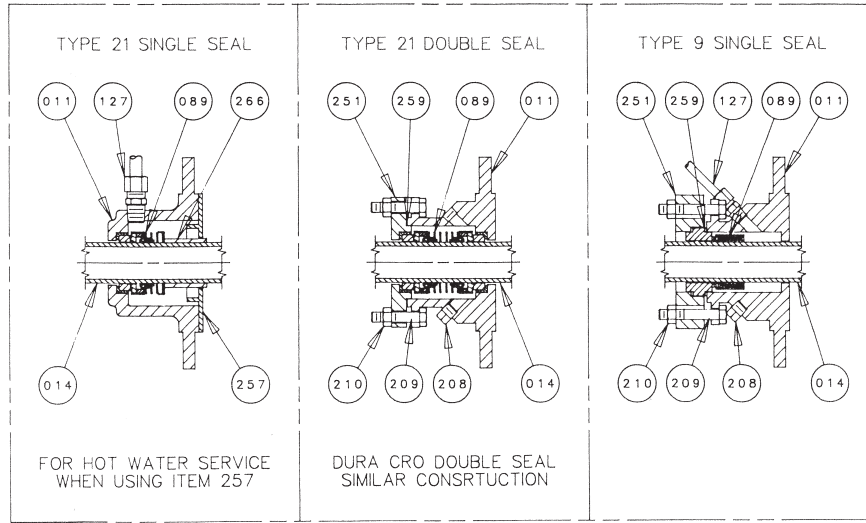
* Recommended spare parts

Repair Parts

Support Head Assembly						
Motor Dimensions						
Please Order by the Part No.						
Frames	JP Frame West Coast Frame U/UC Frame	143-184 JP 143-145 TCZ 182-184 C	182-215 TCZ 213-215 C	213-256 JP 254-256 TCZ 254-256 UC	284-286 TCZ 284-286 UC	284-326 JP 324-326 TCZ 324-326 UC
Dimensions (inches)	Motor Flange Dowel - AK Bolt Circle - AJ Shaft Extension - AH Shaft Dia. at Imp. - U Shaft Dia. at Sleeve - XB Sleeve Diameter	4½ 5½ 7 ⁵ / ₁₆ ¾ 1 1¼	8½ 7¼ 7 ⁵ / ₁₆ ¾ 1 1¼	8½ 7¼ 8½ 1¼ 1½ 1½	10½ 9 8½ 1¼ 1½ 1½	12½ 11 8½ 1¼ 1½ 1½
Item No.	Description	Part No.	Part No.	Part No.	Part No.	Part No.
* 14	Shaft Sleeve 316 SS 440 C	0099115 0075358	0099115 0075358	0086019 0076967	0086019 0076967	0086019 0076967
26	Impeller Screw, Motor Shaft	0053313	0053313	0053315	0053315	0053315
* 30	Gasket, Impeller Nut	0068362	0068362	0068363	0068363	0068363
32	Key	0017546	0017546	0011260	0011260	0011260
* 38	Gasket, Sleeve	0068369	0068369	0068367	0068367	0068367
40	Slinger	0000707	0000707	0000712	0000712	0000712
71	Motor Adapter Sizes 1, 1½, 2½ All Other Sizes	0017544 0017542	0017610 0017608	0017613 0017611	N.A. 0017633	N.A. 0017635
203	Nameplate	0006406	0006406	0006406	0006406	0006406
212	Cap Screw, (B.F. & A.I.) Sizes 1, 1½, 2½ All Other Sizes	0000402 0000434	0000402 0000434	N.A. 0000434	N.A. 0000434	N.A. 0000434
	Cap Screw, (A.B.) Sizes 1, 1½, 2½ All Other Sizes	0000403 0015613	0000403 0015613	N.A. 0015613	N.A. 0015613	N.A. 0015613
	Stud/ Nut (316 SS) Sizes 1, 1½, 2½ All Other Sizes	0041736 / 0006012 0014622 / 0006018	0041736 / 0006012 0014622 / 0006018	N.A. 0014622 / 0006018	N.A. 0014622 / 0006018	N.A. 0014622 / 0006018
214	Drive Screw (2 Req'd)	0001146	0001146	0001146	0001146	0001146
219	Cap Screw, Motor (4 Req'd)	0000397	0000431	0000432	0000432	0000451
* 241	Gasket, Casing (B.F., A.I., A.B.) Sizes 1, 1½, 2½ All Other Sizes	0006227 0004553	0006227 0004553	0006227 0004553	N.A. 0004553	N.A. 0004553
	Gasket, Casing (316 SS) Sizes 1, 1½, 2½ All Other Sizes	0012419 0012464	0012419 0012464	0012419 0012464	N.A. 0012464	N.A. 0012464
* 270	Impeller Washer	0074681	0074681	0068347	0068347	0068347
* 272	Impeller Screw O-Ring	0068366	0068366	0068365	0068365	0068365
286	Jackscrew (2 Req'd)	0000397	0000397	0000397	0000397	0000397
287	Shim (Half) Sizes 1, 1½, 2½ All Other Sizes	0108172 0108173	0108172 0108173	0108172 0108173	0108172 0108173	0108172 0108173

* Recommended spare parts

Repair Parts



Packing and Mechanical Seal Assemblies

Please Order By The Part No.

Item No.	Description	Packing Part No.	J.C. Type 21 Single Seal		J.C. Type 21 Double Seal Part No.	J.C. Type 9 Single Seal Part No.	Dura CRO Double Seal Part No.		
			Std. Const. Part No.	Hot Water Part No.					
For use with Motor Frames 143-184 JP, 143-145 TCZ, and 182-184 C									
11	Packing Box Cover								
	1, 1½, 2½	Cast Iron Bronze 316 SS	0017606 0017607 0109529	0019104 0019105 N.A.	0019104 N.A. N.A.	0019094 0019095 N.A.	0017606 0017607 0109529 (9T)	0017606 0017607 0109529	
	All Other Sizes	Cast Iron Bronze 316 SS	0009885 0001282 0012477	0013438 0013440 N.A.	0013438 N.A. N.A.	0013468 0013470 N.A.	0009885 0001282 0012477 (9T)	0009885 0001282 0012477	
* 13	Packing (5 Req'd)	Std. Teflon	0030713 0087938	N.R.	N.R.	N.R.	N.R.	N.R.	
17	Packing Gland	Cast Iron Bronze 316 SS	00107757 00107759 00107761	N.R.	N.R.	N.R.	N.R.	N.R.	
29	Lantern Ring (2 Req'd)		0076639	N.R.	N.R.	N.R.	N.R.	N.R.	
* 89	Mechanical Seal	BF1C1 BF171 QF1C1 QF171 EX5 - TV	N.R.	0030880 0030881	0030881	0030898 0030899	Type 9 0018072 0018071	Type 9T 0060645 0060644	0006917
208	Pipe Plug	Cast Iron Brass 316 SS	0002553 0000018 0006251	N.R.	N.R.	0002553 0000018 0006251	0002553 0000018 0006251	0002553 0000018 0006251	
209	Cap Screw (2 Req'd)	Steel 18-8 SS	0003717 0000390	N.R.	N.R.	0013367 0000382	0003280 0000386	0013367 0000382	
210	Hex Nut (2 Req'd)	Steel 18-8 SS	0000113 0006007	N.R.	N.R.	0000113 0006007	0000113 0006007	0000113 0006007	
251	Seal Gland	Cast Iron Bronze 316 SS	N.R.	N.R.	N.R.	0013472 0013474 N.A.	0013387 0013389 0089275	0013788 0014898 0109530	
257	Choker Ring	Cast Iron Bronze	N.R.	N.R.	0043632 0043634	N.R.	N.R.	N.R.	
* 259	Gland Gasket	Velbuna Klinger	N.R.	N.R.	N.R.	0013371 0015138	0013371 0015138	0013371 0015138	
266	Spacer Sleeve		N.R.	0010391	0010391	N.R.	N.R.	N.R.	

* Recommended spare parts

* NR - Not Required



PUMPS & SYSTEMS

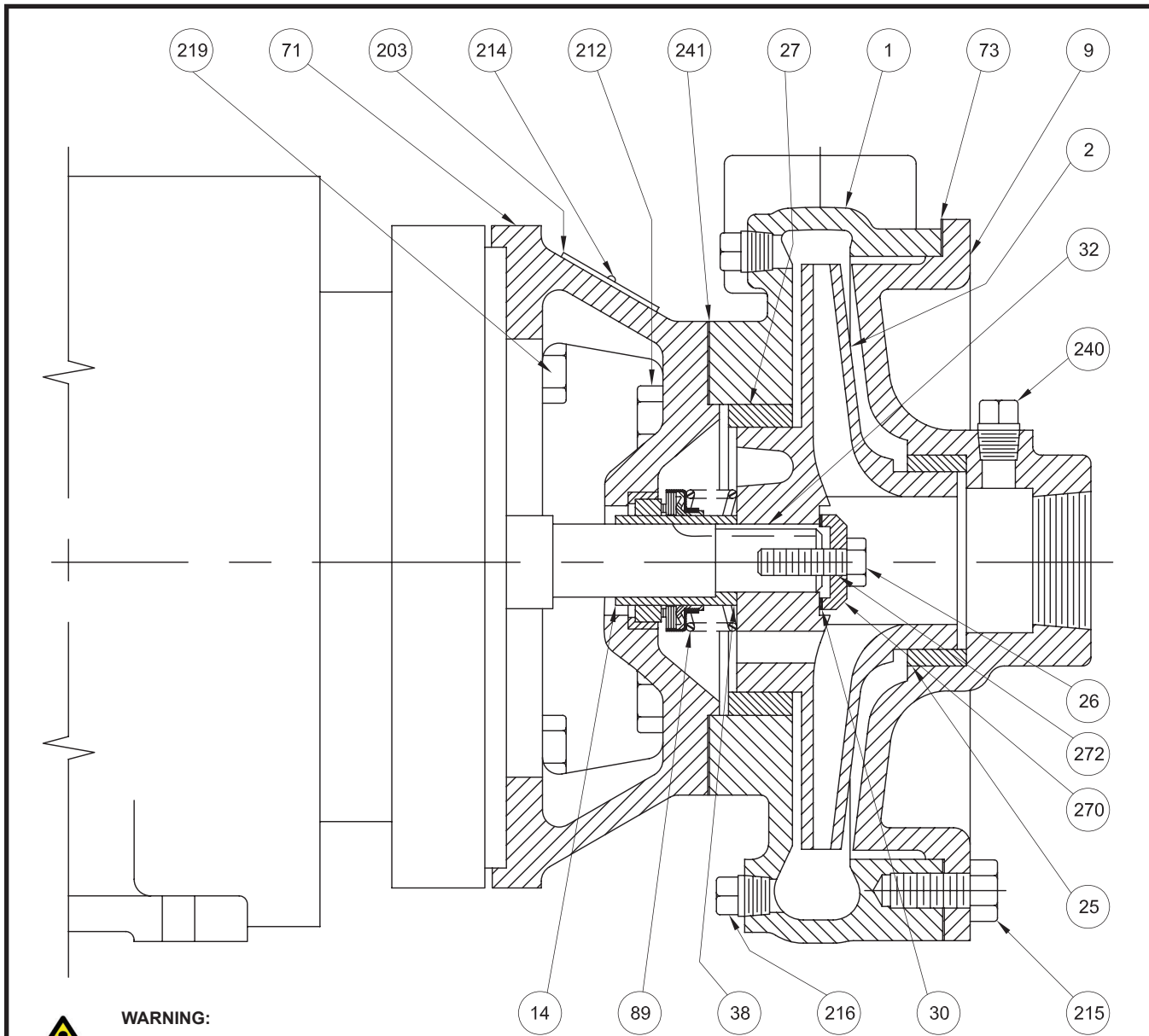
SECTION 95
PAGE 141
DATE 7/08

Repair Parts

Packing and Mechanical Seal Assemblies								
Please Order By The Part No.								
Item No.	Description	Packing Part No.	J.C. Type 21 Single Seal		J.C. Type 21 Double Seal Part No.	J.C. Type 9 Single Seal Part No.	Dura CRO Double Seal Part No.	
			Std. Const. Part No.	Hot Water Part No.				
For use with Motor Frames 213-326 JP								
11	Packing Box Cover	Cast Iron Bronze 316 SS	0015879 0017614 0109520	0044493 0044495 N.A.	0044493 N.A. N.A.	0019084 0019086 N.A.	0019102 0019103 0109521 (9T)	0019326 0019327 0109520
* 13	Packing (5 Req'd) (Iron & Bronze)	Std. Teflon	0072344 0087937	N.R.	N.R.	N.R.	N.R.	N.R.
	Packing (5 Req'd) (Alloy)	Std. Teflon	0041822 0063454	N.R.	N.R.	N.R.	N.R.	N.R.
17	Packing Gland	Cast Iron Bronze 316 SS	0017618 0017624 0109523	N.R.	N.R.	N.R.	N.R.	N.R.
29	Lantern Ring (2 Req'd) (Iron & Bronze)		0076641	N.R.	N.R.	N.R.	N.R.	N.R.
	Lantern Ring (2 Req'd) (Alloy)		0101625	N.R.	N.R.	N.R.	N.R.	N.R.
* 89	Mechanical Seal	BF1C1 BF171 QF1C1 QF171 EX5 - TV	N.R.	0030886 0030887	0030887	0030902 0030903	Type 9 0047870 Type 9T 0109527 0109526	0019121
208	Pipe Plug	Cast Iron Brass 316 SS	0002553 0000018 0006251	N.R.	N.R.	0002553 0000018 0006251	0002553 0000018 0006251	0002553 0000018 0006251
209	Cap Screw (2 Req'd)	Steel 18-8 SS	0003717 0000390	N.R.	N.R.	0000371 0057230	0000376 0000382	0000371 0057230
210	Hex Nut (2 Req'd)	Steel 18-8 SS	0000113 0006007	N.R.	N.R.	0000113 0006007	0000113 0006007	0000113 0006007
251	Seal Gland	Cast Iron Bronze 316 SS	N.R.	N.R.	N.R.	0019069 0019071 0091111	0019077 0017079 0109524	0019073 0019074 0109525
257	Choker Ring	Cast Iron Bronze	N.R.	N.R.	0043640 0043641	N.R.	N.R.	N.R.
* 259	Gland Gasket	Velbuna Klinger	N.R.	N.R.	N.R.	0019081 0019295	0019081 0019295	0019081 0019295
266	Spacer Sleeve		N.R.	0044434	0044434	N.R.	N.R.	N.R.

Lubrication Fittings for Packing or Seals		
Item No.	Description	Part No.
127	For Packing - Bronze Fitted or All Bronze	
	Tubing - Copper ¼" x 7" long	0017024
	Connector - 90° ¼" x ¼" NPT Brass	0000030
	Connector - Straight ¼" x ¼" NPT Brass	0003740
	For Single Type 21 Seal - Bronze Fitted or All Bronze	
	Tubing - Copper ⅜" x 9" long	0017076
	Connector - 90° ⅜" x ¼" NPT Brass	0001574
	Connector - Straight ⅜" x ¼" NPT Brass	0001570
	For Single Type 21 Seal - All Iron	
	Tubing - 316 S.S. ⅜" x 9" long	0017077
	Street Elbow - ¼" - 90° Galvanized	0001807
	Connector - Straight ⅜" x ¼" NPT 316 S.S. (2 Req'd)	0013348
	For Single Type 21 Seal - Hot Water Pump - Bronze Fitted	
	Tubing - Copper ⅜" x 12" long	0014800
	Connector - 90° ⅜" x ¼" NPT Brass	0001574
Connector - Straight ⅜" x ¼" NPT Brass	0001570	
For Single Type 9T Seal - 316 Alloy		
Tubing - 316 S.S. ¼" x 9" long	0001662	
Connector - 90° ⅜" x ¼" NPT 316 S.S.	0021973	
Connector - Straight ⅜" x ¼" NPT 316 S.S.	0004423	
243	Grease Fitting ⅜" NPT for Packing - Bronze Fitted or All Iron	0003131

* Recommended spare parts



DISCONTINUED



WARNING:
 CANCER AND REPRODUCTIVE HARM -
 WWW.P65WARNINGS.CA.GOV

Item No.	Name of Part	Item No.	Name of Part	Item No.	Name of Part
1	Casing	* 30	Impeller Washer Gasket	214	Drive Screws
2	Impeller	32	Impeller Key	215	Cap Screws
9	Suction Head	* 38	Shaft Gasket	216	Pipe Plugs
14	Shaft Sleeve	71	Motor Adapter	219	Cap Screws
25	Suction Head Wearing Ring	* 73	Suction Head Gasket	240	Pipe Plug
26	Impeller Screw	* 89	Mechanical Seal	* 241	Casing Gasket
27	Casing Wearing Ring	203	Nameplate	* 270	Impeller Washer
		212	Cap Screws	* 272	"O" Ring

* Recommended spare parts



Repair Parts

DISCONTINUED

Pump Size	Construction of Material	Items 1, 27 & 216 Casing w/ Wearing Ring & Pipe Plugs	Item 27 Casing Wearing Ring	Items 9, 25 & 240 Suction Head w/ Wearing Ring & Pipe Plugs		Item 25 Suction Head Wearing Ring		Items 73 Suction Head Gasket All Construction
		Part No.	Part No.	Part No.		Part No.		* Part No.
1¼ S	B.F. and A.I. Opt. Bronze Wear Ring	0087614 0087613	0017916 0017918	0087617 0087616		0017969 0017970		0004476
	Drawing No.	4784	14456	27924		113-742		111-779
1½ S	B.F. and A.I. Opt. Bronze Wear Ring	0027562 0027561	0017916 0017918	0027553 0027552		0017969 0017970		0004476
	Drawing No.	4782	14456	25428		113-742		111-779
2 S	B.F. and A.I. Opt. Bronze Wear Ring	0027565 0027564	0017916 0017918	0027556 0027555		0019015 0019014		0004476
	Drawing No.	4711	14456	24678		111-276		111-779
3 S	B.F. and A.I. Opt. Bronze Wear Ring	0027568 0027567	0017916 0017918	3500 RPM 0027580 0027579	1750 RPM 0033199 0027558	3500 RPM 0017916 0017918	1750 RPM 0019057 0019058	0004476
	Drawing No.	5137	14456	32557	32480	14456	113-710	111-779
1½ M	B.F. and A.I. Opt. Bronze Wear Ring	0027589 0027588	0017916 0017918	0027571 0027570		0017969 0017970		0004474
	Drawing No.	4805	14456	32584		113-742		111-780
2 M	B.F. and A.I. Opt. Bronze Wear Ring	0027592 0027591	0017916 0017918	0027574 0027573		0017916 0017918		0004474
	Drawing No.	5125	14456	32491		14456		111-780
3 M	B.F. and A.I. Opt. Bronze Wear Ring	0027595 0027594	0017916 0017918	0027577 0027576		0019057 0019058		0004474
	Drawing No.	5123	14456	32470		113-710		111-780
4 M & 4 MT	B.F. and A.I. Opt. Bronze Wear Ring	0027598 0027597	0017916 0017918	0027583 0027582		0019057 0019058		0004474
	Drawing No.	4803	14456	32512		113-710		111-780
5 M	B.F. and A.I. Opt. Bronze Wear Ring	0027601 0027600	0017916 0017918	0027586 0027585		0018761 0018762		0004474
	Drawing No.	5101	14456	32518		113-743		111-780
1½ L	B.F. and A.I. Opt. Bronze Wear Ring	0040171 0040170	0017916 0017918	0040174 0040173		0017969 0017970		0004470
	Drawing No.	5214	14456	33289		113-742		112-301
2 L	B.F. and A.I. Opt. Bronze Wear Ring	0040177 0040176	0017916 0017918	0040180 0040179		0017916 0017918		0004470
	Drawing No.	5213	14456	33288		14456		112-301

Item No.	Name and Description	Part No.	Drawing No.
215	Cap Screw (8 Req'd Except Size 1½ L and 2 L Require 12)	0000431	
216	Pipe Plug (4 Req'd)	0002009	
240	Pipe Plug (1 Req'd)	0002009	

* Recommended spare parts

Item No. 2 - Impeller

Please Order By The Part No.

Part No. shown is for any dia. in that pump size. Order as follows; Example, (1 Brz. Imp. for 4360 2S, Unit M20 Part No. 0018351 except 6" dia.)

Pump Size	Unit No.	Imp. Dia. Inch	Imp. Bore Inch	#8 Bronze Part No.	Cast Iron Part No.	Drawing No.
1½ S	M-9	6¼	¾	0084680	0084682	34233
	M-9A	7¾				
	M-10	8				
	M-14	5¼				
	M-14A	6¾				
M-15	7½	1¼	0084678	0084676	119-975	
M-15A	8					
1½ S	M-11	6¼	¾	0016958	0016953	25433
	M-12	7¼				
	M-13	7¾				
	M-16	6¾				
M-17	7¾	1¼	0016753	0016751	113-682	
2 S	M-20	6	¾	0018351	0018342	25322
	M-21	6¾				
	M-22	7½				
	M-23	8				
	M-24	5½				
	M-25	5¾				
	M-26	6¾				
M-27	7¼	1¼	0018372	0018363	113-451	
M-28	7¾					
M-29	8					
3 S	M-31	5½	¾	0015657	0015652	32479
	M-32	5¾				
	M-33	6¼				
	M-34	7½				
	M-35	8				
3 S	M-56	5¾	¾	0073038	0073037	33927
	M-57	6¾				
	M-58	6¾				
	M-59	7¾				
	M-60	8				
1½ L	M-6	9½	¾	0044966	0044964	33285
	M-7	10¾				
	M-8	12				
2 L	M-52	9¾	¾	0044975	0044973	33287
	M-53	11				
	M-54	12				

Pump Size	Unit No.	Imp. Dia. Inch	Imp. Bore Inch	#8 Bronze Part No.	Cast Iron Part No.	Drawing No.
1½ M	M-37	8	¾	0012599	0012593	32583
	M-38	9¼				
	M-39	10				
	M-76	7¾	1¼	0018414	0018409	25501
	M-77	8½				
M-78	9¼					
M-79	10					
2 M	M-40	7	¾	0018428	0018421	32487
	M-41	8¾				
	M-42	9¾				
	M-43	10				
	M-44	7¼				
M-45	7 ¹¹ / ₁₆	1¼	0018454	0018447	25342	
M-46	8¾					
3 M	M-47	6	¾	0015850	0015844	32471
	M-48	7				
	M-49	7¾				
	M-50	8¾				
	M-51	9¾				
4 M	M-61	6¾	¾	0017183	0017178	32511
	M-62	7¾				
	M-63	8¾				
4 M	M-64	9¾	1¼	0017208	0017203	25370
	M-65	10				
	M-66	5¾				
4 MT	M-67	6	1¼	0013694	0013689	32653
	M-68	6¼				
	M-69	6¾				
	M-70	7¼				
5 M	M-71	8	¾	0073040	0073039	41490
	M-72	8¾				
	M-73	9¾				
	M-74	10				

DISCONTINUED

* Recommended spare parts

Repair Parts

DISCONTINUED

Motor Adapter Assembly						
Motor Frame		143-184 JM	213-215 JM	254-256 JM	284-324 JM	
Item No.	Description	Part No.	Part No.	Part No.	Part No.	
14	Shaft Sleeve	0104436	0104436	0105656	0105656	
26	Cap Screw	0053313	0053313	0053313	0053313	
* 30	Gasket, Impeller Nut	0068362	0068362	0068363	0068363	
32	Key	0017546	0017546	0011260	0011260	
* 38	Gasket, Sleeve	0068369	0068369	0068367	0068367	
71	Motor Adapter	0105673	0105790	0105792	0105794	
* 89	Mechanical Seal	B.F. - BF1C1	0030880	0030880	0030886	0030886
		A.I. - BF171	0030881	0030881	0030887	0030887
		XF1C1	0088459	0088459	0106330	0106330
		XF171	0084881	0084881	0106331	0106331
203	Nameplate	0079496	0079496	0079496	0079496	
212	Cap Screw, Casing (4 Req'd)	0000432	0000432	0000432	0000432	
214	Drive Screw (2 Req'd)	0001146	0001146	0001146	0001146	
219	Cap Screw, Motor (4 Req'd)	0000397	0000432	0000432	0000451	
* 241	Gasket, Casing	0004553	0004553	0004553	0004553	
* 270	Impeller washer	0074681	0074681	0068347	0068347	
* 272	Impeller Screw O-Ring	0068366	0068366	0068365	0068365	

* Recommended spare parts