

FIG. 4310-11 1" - 1-1/2" - 2"

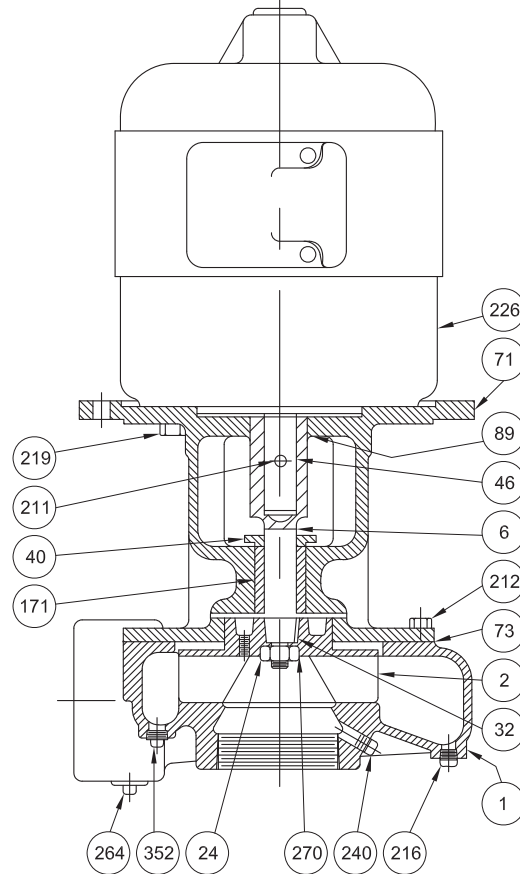


FIG. 4310-11 3"



**WARNING:**  
 CANCER AND REPRODUCTIVE HARM -  
 WWW.P65WARNINGS.CA.GOV

Item No.	Part No.	Name and Description	Drawing No.
1	0021232	Casing with Plug - C.I. for 1" Pump	32571
	0021238	Casing with Plug - C.I. for 1½" Pump	3627
	0021244	Casing with Plug - C.I. for 2" Pump	31272
	0030022	Casing with Plug - C.I. for 3" Pump	4919

Unit	Pump Size	Imp. Dia.	C.I. Part No.	Bronze Part No.	Drawing No.
1 V	1"	4¾"			
3 V	1"	5"	0017329	0017334	111-140
4 V	1½"	4½"	0014702	0014704	113-885
6 V	1½"	5"			
8 V	2"	4⅝"			
10 V	2"	5"	0017351	0017356	111-772
11 V	3"	4⅝"			
12 V	3"	5⅝"	0017361	0017369	25379
13 V	3"	5½"			
51 V	1"	4⅝"			
52 V	1"	4 <sup>9</sup> / <sub>16</sub> "	0017329	0017334	111-140
53 V	1"	4 <sup>11</sup> / <sub>16</sub> "			
54 V	1"	5"			

Unit	Pump Size	Imp. Dia.	C.I. Part No.	Bronze Part No.	Drawing No.
56 V	1½"	4¼"			
57 V	1½"	4 <sup>9</sup> / <sub>16</sub> "	017339	0017345	111-142
58 V	1½"	5"			
60 V	2"	4⅝"			
61 V	2"	4 <sup>7</sup> / <sub>16</sub> "	0017351	0017356	111-772
62 V	2"	5"			
63 V	3"	4⅝"	0017361	0017369	25379
64 V	3"	4 <sup>11</sup> / <sub>16</sub> "			

NOTE: Part No. shown is for any diameter listed in that pump size. In ordering, specify Part No. Diameter and Unit No.

**DISCONTINUED**

**Repair Parts**

NEMA Frames 1750 R.P.M. 3500 R.P.M.	56 C ¾ HP & Smaller 2 HP & Smaller	143 TC / 182 C 1 HP	145 TC / 184 C 1½/ 2HP/ 3 Ph 3HP/ 3Ph	182 TC/ 213 C 2 HP/ 1 Ph 3 HP/ 1 Ph & 5 HP/ 3 Ph	184 TC/ 215 C 7½ HP/ 3 Ph
---	--	------------------------	---	---	------------------------------

Item No.	Name Of Part	Part No.	Drawing No.	Part No.	Drawing No.	Part No.	Drawing No.
6	‡ Shaft - 4310	0018077	114-408	0026255	114-393	0026257	116-734
	Shaft - 4310 3"	0044270	118-214	0026256	118-414	0026258	116-736
	‡ Shaft - 4311	0020122	25740	0020123	25741	0024396	26445
	Shaft - 4311 3"	-	-	0020124	25742	0024395	26444
46	Shaft Key	0002192	114-932	0002192	114-932	0002192	114-932
71	Adapter						
	Fig 4310	0025926	33103	0025926	33103	0025926	33103
	Fig 4311	0024571	41144	0024571	41144	0024571	41144
* 89	Seal	0006933		0001817		0058135	
211	Set Screw	0003084	(2 Req'd)	0003084	(2 Req'd)	0006704	(2 Req'd)
219	Cap Screw	0000397	(4 Req'd)	0000397	(4 Req'd)	0000431	(4 Req'd)

Item No.	Name and Description	For 1', 1½" & 2" Pumps		For 3" Pumps	
		Part No.	Drawing No.	Part No.	Drawing No.
* 24	Impeller Nut SS	0017236	112-559	0005214	-
32	Impeller Key - Woodruff S.S.	-	-	0065013	-
40	Deflector - Neoprene	0000702	18195	0000705	18195
* 73	Gasket - for item 1	0003075	113-881	0003075	113-881
* 171	Shaft Bearing - Bab. Graph.	0017264	113-466	0017380	113-478
212	Cap Screw - 5/16" x ¾" - (8 Req'd)	0000363	-	0000363	-
216	Pipe Plug - ¼" for Item 1	0002009	-	0002009	-
228	Motor - See Motor Price Page	-	-	-	-
240	Pipe Plug - ¼" for Item 1	0002009	-	0002009	-
264	Pipe Plug - ¼" for Item 1	0002009	-	0002009	-
270	Impeller Washer - SS	0065013	-	0065013	-
352	Pipe Plug - ¼" for Item 1	0002009	-	0002009	-

‡ For 1" - 1½" and 2" Pumps  
NOTE: All Shafts are 416 Stainless Steel

**DISCONTINUED**

Recommended spare parts