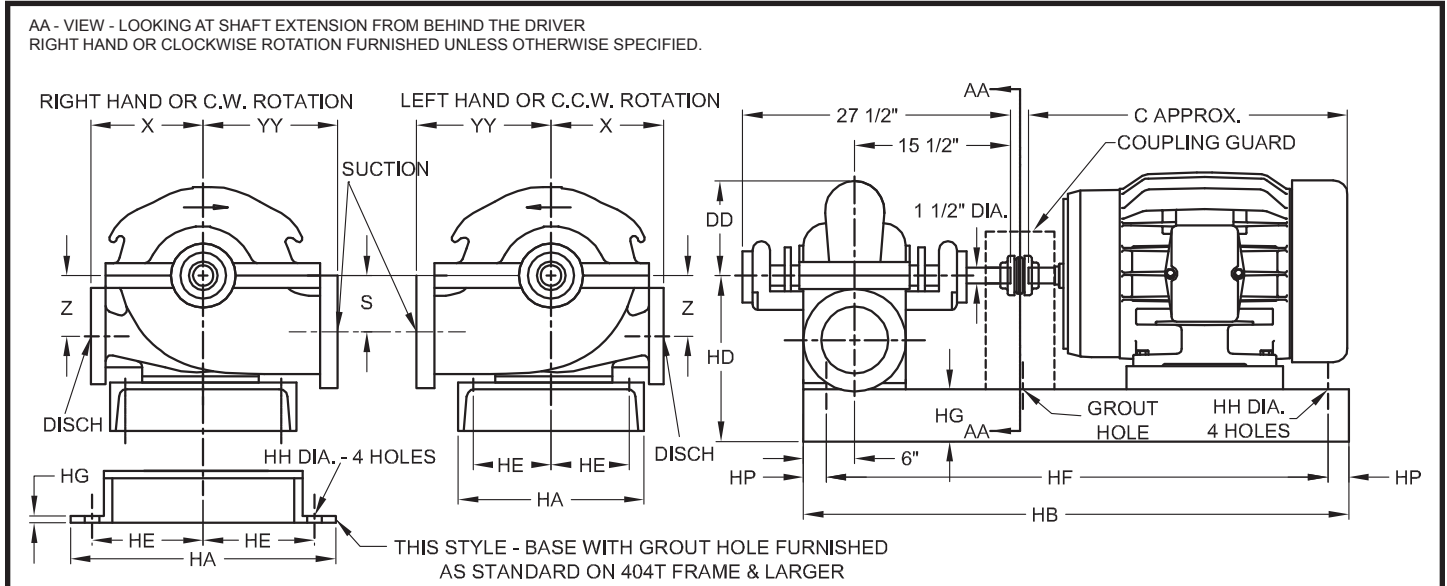


Horizontal Split Case Centrifugal Pumps



RH/Clockwise rotation is furnished unless otherwise specified.

PUMP	SUCT	DISCH	DD	YY	S	X	Z
6 x 4 x 17	6	4	11 $\frac{1}{4}$	14	7	13	7
8 x 6 x 12	8+	6	9 $\frac{3}{4}$	13	6 $\frac{1}{2}$	11	6 $\frac{1}{2}$
8 x 6 x 14 $\frac{1}{2}$	8+	6	10 $\frac{3}{4}$	14	6 $\frac{1}{2}$	13	6 $\frac{1}{2}$
8 x 6 x 17	8+	6	11 $\frac{3}{4}$	15	7	14	7
10 x 8 x 12	10+	8+	10 $\frac{1}{2}$	15	6 $\frac{3}{4}$	12	6 $\frac{3}{4}$
10 x 8 x 14 $\frac{1}{2}$	10+	8+	11 $\frac{1}{4}$	15	7 $\frac{1}{4}$	13	7 $\frac{1}{4}$

SIZE	SUCT & DISCH 125LB ASA FF			SUCT & DISCH 250LB ASA FF				
	DIA.	FLG.	# - BOLTS	B.C.	DIA.	FLG.	# - BOLTS	B.C.
4	9	8 - 5/8	7 $\frac{1}{2}$	10	8 - 3/4	7 $\frac{1}{8}$		
6	11	8 - 3/4	9 $\frac{1}{2}$	12 $\frac{1}{2}$	12 - 3/4	10 $\frac{1}{8}$		
8	13 $\frac{1}{2}$	8 - 3/4	11 $\frac{3}{4}$	15	12 - 7/8	13		
10	16	12 - 7/8	14 $\frac{1}{4}$	17 $\frac{1}{2}$	16 - 1	15 $\frac{1}{4}$		

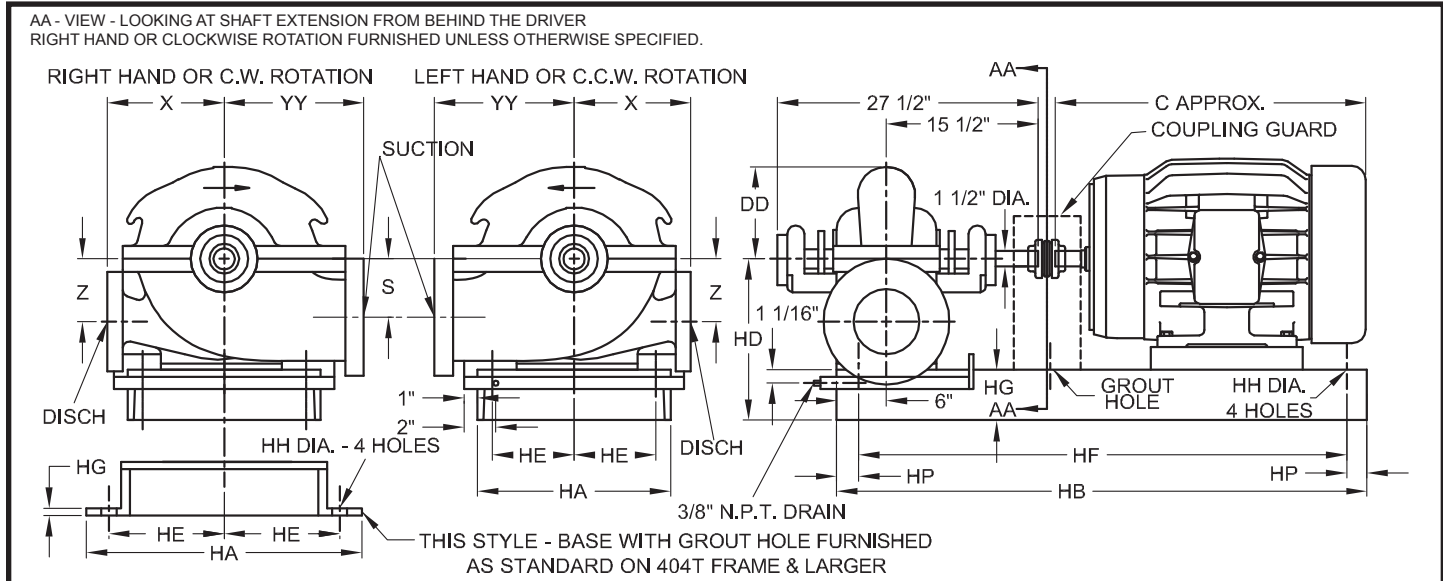
(+) TOP TWO BOLT HOLES OF FLANGE ARE TAPPED.

BASE DIMENSIONS IN INCHES

FRAME NO	213T	215T	254T	256T	284T	284TS	286T	286TS	324T	324TS	326T	326TS	364T	364TS	365T	365TS	404T	404TS	405T	405TS	444T	444TS	445T	445TS
BASE NO.	27504	27504	27505	27506	27506	27506	27506	27506	27508	27508	27508	27508	27508	27508	27508	27508	27511	27510	27511	27510	27513	27512	27513	27513
C	17 $\frac{1}{4}$	19 $\frac{1}{4}$	22 $\frac{1}{4}$	24 $\frac{1}{4}$	25 $\frac{1}{4}$	24 $\frac{1}{2}$	27 $\frac{1}{4}$	26	28 $\frac{1}{4}$	27 $\frac{1}{4}$	30 $\frac{1}{4}$	28 $\frac{1}{4}$	33 $\frac{1}{4}$	31	34 $\frac{1}{4}$	32	37 $\frac{1}{4}$	34 $\frac{1}{4}$	38 $\frac{1}{4}$	36	42 $\frac{1}{4}$	38 $\frac{1}{4}$	44 $\frac{1}{4}$	40 $\frac{1}{4}$
HA	15	15	15	15	15	15	15	15	18	18	18	18	18	18	18	18	25	25	25	25	27	27	27	27
HB	40	40	47	47	47	47	47	47	51	51	51	51	51	51	51	51	57	50	57	50	62	53	62	62
HD 6x4x17	15 $\frac{1}{2}$	15 $\frac{1}{2}$	15 $\frac{1}{2}$	15 $\frac{1}{2}$	15 $\frac{1}{2}$	15 $\frac{1}{2}$	15 $\frac{1}{2}$	15 $\frac{1}{2}$	16 $\frac{1}{2}$	16 $\frac{1}{2}$	16 $\frac{1}{2}$	16 $\frac{1}{2}$	16 $\frac{1}{2}$	16 $\frac{1}{2}$	16 $\frac{1}{2}$	16 $\frac{1}{2}$	17	17	17	17	17	17	17	17
HD 8x6x12	15 $\frac{1}{2}$	15 $\frac{1}{2}$	15 $\frac{1}{2}$	15 $\frac{1}{2}$	15 $\frac{1}{2}$	15 $\frac{1}{2}$	15 $\frac{1}{2}$	15 $\frac{1}{2}$	16 $\frac{1}{2}$	16 $\frac{1}{2}$	16 $\frac{1}{2}$	16 $\frac{1}{2}$	16 $\frac{1}{2}$	16 $\frac{1}{2}$	16 $\frac{1}{2}$	16 $\frac{1}{2}$	17	17	17	17	17 $\frac{1}{2}$	17 $\frac{1}{2}$	17 $\frac{1}{2}$	17 $\frac{1}{2}$
HD 8x6x14 $\frac{1}{2}$	15 $\frac{1}{2}$	15 $\frac{1}{2}$	15 $\frac{1}{2}$	15 $\frac{1}{2}$	15 $\frac{1}{2}$	15 $\frac{1}{2}$	15 $\frac{1}{2}$	15 $\frac{1}{2}$	16 $\frac{1}{2}$	16 $\frac{1}{2}$	16 $\frac{1}{2}$	16 $\frac{1}{2}$	16 $\frac{1}{2}$	16 $\frac{1}{2}$	16 $\frac{1}{2}$	16 $\frac{1}{2}$	17	17	17	17	17 $\frac{1}{2}$	17 $\frac{1}{2}$	17 $\frac{1}{2}$	17 $\frac{1}{2}$
HD 8x6x17	16 $\frac{1}{2}$	16 $\frac{1}{2}$	16 $\frac{1}{2}$	16 $\frac{1}{2}$	16 $\frac{1}{2}$	16 $\frac{1}{2}$	16 $\frac{1}{2}$	16 $\frac{1}{2}$	17 $\frac{1}{2}$	17 $\frac{1}{2}$	17 $\frac{1}{2}$	17 $\frac{1}{2}$	17 $\frac{1}{2}$	17 $\frac{1}{2}$	17 $\frac{1}{2}$	17 $\frac{1}{2}$	18	18	18	18	18	18	18	18
HD 10x8x12	15 $\frac{1}{2}$	15 $\frac{1}{2}$	15 $\frac{1}{2}$	15 $\frac{1}{2}$	15 $\frac{1}{2}$	15 $\frac{1}{2}$	15 $\frac{1}{2}$	15 $\frac{1}{2}$	17	17	17	17	17	17	17	17	18	18	18	18	18 $\frac{1}{2}$	18 $\frac{1}{2}$	18 $\frac{1}{2}$	18 $\frac{1}{2}$
HD 10x8x14 $\frac{1}{2}$	17 $\frac{1}{2}$	17 $\frac{1}{2}$	17 $\frac{1}{2}$	17 $\frac{1}{2}$	17 $\frac{1}{2}$	17 $\frac{1}{2}$	17 $\frac{1}{2}$	17 $\frac{1}{2}$	18 $\frac{1}{2}$	18 $\frac{1}{2}$	18 $\frac{1}{2}$	18 $\frac{1}{2}$	18 $\frac{1}{2}$	18 $\frac{1}{2}$	18 $\frac{1}{2}$	18 $\frac{1}{2}$	19	19	19	19	19 $\frac{1}{2}$	19 $\frac{1}{2}$	19 $\frac{1}{2}$	19 $\frac{1}{2}$
HG	3 $\frac{1}{2}$	3 $\frac{1}{2}$	3 $\frac{1}{2}$	3 $\frac{1}{2}$	3 $\frac{1}{2}$	3 $\frac{1}{2}$	3 $\frac{1}{2}$	3 $\frac{1}{2}$	4	4	4	4	4	4	4	4	3 $\frac{1}{2}$	3 $\frac{1}{2}$	3 $\frac{1}{2}$	3 $\frac{1}{2}$	3 $\frac{1}{2}$	3 $\frac{1}{2}$	3 $\frac{1}{2}$	3 $\frac{1}{2}$
HE	6	6	6	6	6	6	6	6	7 $\frac{1}{2}$	7 $\frac{1}{2}$	7 $\frac{1}{2}$	7 $\frac{1}{2}$	7 $\frac{1}{2}$	7 $\frac{1}{2}$	7 $\frac{1}{2}$	7 $\frac{1}{2}$	11 $\frac{1}{4}$	11 $\frac{1}{4}$	11 $\frac{1}{4}$	11 $\frac{1}{4}$	12 $\frac{1}{4}$	12 $\frac{1}{4}$	12 $\frac{1}{4}$	12 $\frac{1}{4}$
HF	37 $\frac{1}{2}$	37 $\frac{1}{2}$	40 $\frac{1}{2}$	44 $\frac{1}{2}$	44 $\frac{1}{2}$	44 $\frac{1}{2}$	44 $\frac{1}{2}$	44 $\frac{1}{2}$	48 $\frac{1}{2}$	48 $\frac{1}{2}$	48 $\frac{1}{2}$	48 $\frac{1}{2}$	48 $\frac{1}{2}$	48 $\frac{1}{2}$	48 $\frac{1}{2}$	48 $\frac{1}{2}$	54	47	54	47	59	50	59	59
HH	3 $\frac{1}{4}$	3 $\frac{1}{4}$	3 $\frac{1}{4}$	3 $\frac{1}{4}$	3 $\frac{1}{4}$	3 $\frac{1}{4}$	3 $\frac{1}{4}$	3 $\frac{1}{4}$	3 $\frac{1}{4}$	3 $\frac{1}{4}$	3 $\frac{1}{4}$	3 $\frac{1}{4}$	3 $\frac{1}{4}$	3 $\frac{1}{4}$	3 $\frac{1}{4}$	3 $\frac{1}{4}$	7 $\frac{1}{8}$	7 $\frac{1}{8}$	7 $\frac{1}{8}$	7 $\frac{1}{8}$	7 $\frac{1}{8}$	7 $\frac{1}{8}$	7 $\frac{1}{8}$	7 $\frac{1}{8}$
HP	1 $\frac{1}{4}$	1 $\frac{1}{4}$	1 $\frac{1}{4}$	1 $\frac{1}{4}$	1 $\frac{1}{4}$	1 $\frac{1}{4}$	1 $\frac{1}{4}$	1 $\frac{1}{4}$	1 $\frac{1}{4}$	1 $\frac{1}{4}$	1 $\frac{1}{4}$	1 $\frac{1}{4}$	1 $\frac{1}{4}$	1 $\frac{1}{4}$	1 $\frac{1}{4}$	1 $\frac{1}{4}$	1 $\frac{1}{2}$	1 $\frac{1}{2}$	1 $\frac{1}{2}$	1 $\frac{1}{2}$	1 $\frac{1}{2}$	1 $\frac{1}{2}$	1 $\frac{1}{2}$	1 $\frac{1}{2}$

Customer				Shop Order No.				Date:		By:	
Pump Data	Fig. No.	Size	Curve No.	GPM	Head	Sp. Gr.	Temp.	Rotation	Packing/Seal		
Motor Data	MFGR	Hp	RPM	Phase-Cycle Voltage		Frame	Enclosure	Insulation	Furnished by	Mounted by	

Horizontal Split Case Centrifugal Pumps



RH/Clockwise rotation is furnished unless otherwise specified.

PUMP	SUCT	DISCH	DD	YY	S	X	Z
6 x 4 x 17	6	4	11 3/4	14	7	13	7
8 x 6 x 12	8+	6	9 3/4	13	6 1/2	11	6 1/2
8 x 6 x 14 1/2	8+	6	10 3/4	14	6 1/2	13	6 1/2
8 x 6 x 17	8+	6	11 3/4	15	7	14	7
10 x 8 x 12	10+	8+	10 1/2	15	6 3/4	12	6 3/4
10 x 8 x 14 1/2	10+	8+	11 3/4	15	7 3/4	13	7 3/4

SIZE	SUCT & DISCH 125LB ASA FF			SUCT & DISCH 250LB ASA FF				
	DIA.	FLG.	# - BOLTS	B.C.	DIA.	FLG.	# - BOLTS	B.C.
4	9	8 - 5/8	7 1/2	10	8 - 3/4	7 1/2		
6	11	8 - 3/4	9 1/2	12 1/2	12 - 3/4	10 5/8		
8	13 1/2	8 - 3/4	11 3/4	15	12 - 7/8	13		
10	16	12 - 7/8	14 1/4	17 1/2	16 - 1	15 1/4		

(+) TOP TWO BOLT HOLES OF FLANGE ARE TAPPED.

BASE DIMENSIONS IN INCHES

FRAME NO	213T	215T	254T	256T	284T	284TS	286T	286TS	324T	324TS	326T	326TS	364T	364TS	365T	365TS	404T	404TS	405T	405TS	444T	444TS	445T	445TS
BASE NO.	27504	27504	27505	27506	27506	27506	27506	27506	27508	27508	27508	27508	27508	27508	27508	27508	27511	27510	27511	27510	27513	27512	27513	27513
C	17 3/4	19 1/4	22 3/4	24 3/4	25 3/4	24 1/2	27 3/4	26	28 3/4	27 1/4	30 3/4	28 3/4	33 3/4	31	34 3/4	32	37 1/4	34 3/4	38 3/4	36	42 3/4	38 3/4	44 3/4	40 3/4
HA	15	15	15	15	15	15	15	15	18	18	18	18	18	18	18	18	25	25	25	25	27	27	27	27
HB	40	40	47	47	47	47	47	47	51	51	51	51	51	51	51	51	57	50	57	50	62	53	62	62
HD 6x4x17	15 3/4	15 3/4	15 3/4	15 3/4	15 3/4	15 3/4	15 3/4	15 3/4	16 1/2	16 1/2	16 1/2	16 1/2	16 1/2	16 1/2	16 1/2	16 1/2	17	17	17	17	17	17	17	17
HD 8x6x12	15 3/4	15 3/4	15 3/4	15 3/4	15 3/4	15 3/4	15 3/4	15 3/4	16 1/2	16 1/2	16 1/2	16 1/2	16 1/2	16 1/2	16 1/2	16 1/2	17	17	17	17	17 1/2	17 1/2	17 1/2	17 1/2
HD 8x6x14 1/2	15 3/4	15 3/4	15 3/4	15 3/4	15 3/4	15 3/4	15 3/4	15 3/4	16 1/2	16 1/2	16 1/2	16 1/2	16 1/2	16 1/2	16 1/2	16 1/2	17	17	17	17	17 1/2	17 1/2	17 1/2	17 1/2
HD 8x6x17	16 3/4	16 3/4	16 3/4	16 3/4	16 3/4	16 3/4	16 3/4	16 3/4	17 1/2	17 1/2	17 1/2	17 1/2	17 1/2	17 1/2	17 1/2	17 1/2	18	18	18	18	18	18	18	18
HD 10x8x12	15 3/4	15 3/4	15 3/4	15 3/4	15 3/4	15 3/4	15 3/4	15 3/4	17	17	17	17	17	17	17	17	18	18	18	18	18 1/2	18 1/2	18 1/2	18 1/2
HD 10x8x14 1/2	17 3/4	17 3/4	17 3/4	17 3/4	17 3/4	17 3/4	17 3/4	17 3/4	18 1/2	18 1/2	18 1/2	18 1/2	18 1/2	18 1/2	18 1/2	18 1/2	19	19	19	19	19 1/2	19 1/2	19 1/2	19 1/2
HG	3 3/4	3 3/4	3 3/4	3 3/4	3 3/4	3 3/4	3 3/4	3 3/4	4	4	4	4	4	4	4	4	3/4	3/4	3/4	3/4	1/2	1/2	1/2	1/2
HE	6	6	6	6	6	6	6	6	7 1/2	7 1/2	7 1/2	7 1/2	7 1/2	7 1/2	7 1/2	7 1/2	11 1/4	11 1/4	11 1/4	11 1/4	12 1/4	12 1/4	12 1/4	12 1/4
HF	37 1/2	37 1/2	40 1/2	44 1/2	44 1/2	44 1/2	44 1/2	44 1/2	48 1/2	48 1/2	48 1/2	48 1/2	48 1/2	48 1/2	48 1/2	48 1/2	54	47	54	47	59	50	59	59
HH	3/4	3/4	3/4	3/4	3/4	3/4	3/4	3/4	3/4	3/4	3/4	3/4	3/4	3/4	3/4	3/4	7/8	7/8	7/8	7/8	7/8	7/8	7/8	7/8
HP	1 1/4	1 1/4	1 1/4	1 1/4	1 1/4	1 1/4	1 1/4	1 1/4	1 1/4	1 1/4	1 1/4	1 1/4	1 1/4	1 1/4	1 1/4	1 1/4	1 1/2	1 1/2	1 1/2	1 1/2	1 1/2	1 1/2	1 1/2	1 1/2

Customer				Shop Order No.				Date:		By:	
Pump Data	Fig. No.	Size	Curve No.	GPM	Head	Sp. Gr.	Temp.	Rotation	Packing/Seal		
Motor Data	MFGR	Hp	RPM	Phase-Cycle Voltage		Frame	Enclosure	Insulation	Furnished by	Mounted	