

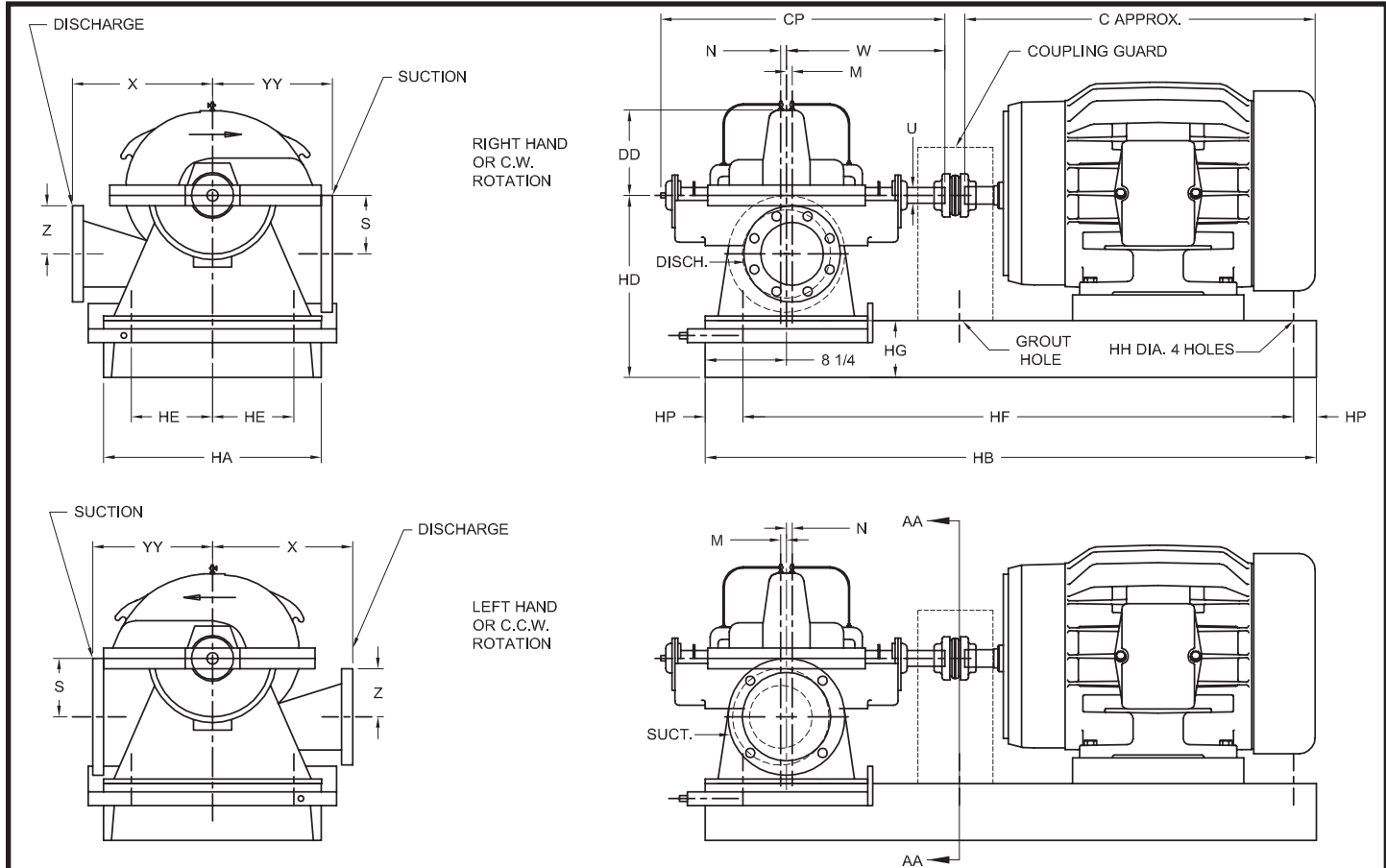
Fig. 5260

Pumps with Type A, B or C Steel Base, Coupling & Motor
 Size: 3x1-1/2x10 - Bulletin 5260

DEMING®

www.cranepumps.com

Two Stage Split Case Centrifugal Pumps



RH/Clockwise rotation is furnished unless otherwise specified.

PUMP	TYPE	SUCT	DISCH	DD	CP	M	N	S	U	W	X	YY	Z
3 x 1-1/2 x 10	STANDARD BEARING	3	1 1/2	8 3/4	30	1 3/16	2 13/16	5%	1 1/8	16 3/4	9	11 3/4	5 5/8
3 x 1-1/2 x 10	WATER COOLED THRUST BEARING	3	1 1/2	8 3/4	30%	1 3/16	2 13/16	5%	1 1/8	16 3/4	9	11 3/4	5 5/8
3 x 1-1/2 x 10	WATER COOLED RADIAL & THRUST BEARING	3	1 1/2	8 3/4	33	1 3/16	2 13/16	5%	1 1/8	18%	9	11 3/4	5 5/8
3 x 1-1/2 x 10	OIL LUBRICATED BEARING	3	1 1/2	8 3/4	33 3/8	1 3/16	2 13/16	5%	1 1/8	18%	9	11 3/4	5 5/8

FRAME NO.	145T	182T	184T	213T	215T	254T	256T	284TS	286TS	324TS	326TS	364TS
BASE No.	27507	27507	27507	27507	27507	27508	27508	27508	27508	27509	27509	27509
C	13 3/8	14%	15%	17 3/4	19%	22 3/8	24%	24 1/2	26	27 3/4	28 3/4	31
HA	18	18	18	18	18	18	18	18	18	18	18	18
HB	46	46	46	46	46	51	51	51	51	56	56	56
HD	14 1/4	14 1/4	14 1/4	14 1/4	14 1/4	14 1/4	14 1/4	14 1/4	14 1/4	14 1/4	14 1/4	14 1/4
HE	7 1/2	7 1/2	7 1/2	7 1/2	7 1/2	7 1/2	7 1/2	7 1/2	7 1/2	7 1/2	7 1/2	7 1/2
HF	43 1/2	43 1/2	43 1/2	43 1/2	43 1/2	48 1/2	48 1/2	48 1/2	48 1/2	53 1/2	53 1/2	53 1/2
HG	4	4	4	4	4	4	4	4	4	4	4	4
HH	3/4	3/4	3/4	3/4	3/4	3/4	3/4	3/4	3/4	3/4	3/4	3/4
HP	1 1/4	1 1/4	1 1/4	1 1/4	1 1/4	1 1/4	1 1/4	1 1/4	1 1/4	1 1/4	1 1/4	1 1/4

AA - VIEW - LOOKING AT SHAFT EXTENSION FROM BEHIND THE DRIVER. RIGHT HAND OR C.W. ROTATION FURNISHED UNLESS OTHERWISE SPECIFIED.

PUMP	125 # ASA FF FLANGE			250# ASA FF FLANGE		
	SUCTION		B.C.	DISCHARGE		B.C.
	DIA.	#-BOLT		DIA.	#-BOLT	
3	7 1/2	4 - 5/8	6	--	--	--
1 1/2	--	--	--	6 1/2	4 - 3/4	4 1/2

Customer				Shop Order No.				Date:		By:	
Pump Data	Fig. No.	Size	Curve No.	GPM	Head	Sp. Gr.	Temp.	Rotation	Packing/Seal		
Motor Data	MFGR	Hp	RPM	Phase-Cycle Voltage		Frame	Enclosure	Insulation	Furnished by	Mounted	

SECTION 30
 PAGE 12
 DATE 3/14



PUMPS & SYSTEMS

A Crane Co. Company

USA: (937) 778-8947 • Canada: (905) 457-6223 • International: (937) 615-3598