

Size 4MM (Mono Vane)

3" Spherical Solids Handling

7365*-411

DEMING®

www.cranepumps.com

Demersible Non-Clog Pumps

#3 Frame Driver

inches
(mm)

Model No.	Imp. Dia. inches (mm)	HP	Volt	PH	Hz	RPM	NEMA Start Code	Full Load Amps	S.F.	S.F. Amps	Locked Rotor Amps	Cord P/N ▲	Cord Size
7365*-411-1K-30N	8.86 (225)	15	208	3	60	1750	E	51.8	1.2	59.0	206.6	125498	8/4 - 18/4
			230					46.9		54.3		125498	8/4 - 18/4
			460					23.4		27.2		103.3	125497
7365*-411-75-30N	8.86 (225)	15	575	3	60	1750	E	18.7	1.2	21.7	82.6	125497	12/4 - 18/4
7365*-411-1L-30N	9.45 (240)	20	230	3	60	1750	J	53.7	1.2	59.0	383.9	125498	8/4 - 18/4
			460					26.9		29.9		103.3	125497
7365*-411-76-30N	9.45 (240)	20	575	3	60	1750	J	21.5	1.2	23.9	153.5	125497	12/4 - 18/4
7365*-411-62-30N	10.04 (255)	25	460	3	60	1750	G	33.2	1.2	38.9	191.9	125499	8/4 - 18/4
7365*-411-77-30N	10.04 (255)	25	575	3	60	1750	G	26.6	1.2	31.1	153.5	125497	12/4 - 18/4
7365*-411-63-30N	10.83 (275)	30	460	3	60	1750	F	38.9	1.2	45.9	191.9	125499	8/4 - 18/4
7365*-411-78-30N	10.83 (275)	30	575	3	60	1750	F	31.1	1.2	36.7	153.5	125499	8/4 - 18/4

* FOR NON-EXPLOSION PROOF (STANDARD) MODELS, USE FIGURE NUMBER 7365N.
 ▲ CORD SOLD SEPARATELY. CORD SUFFIX: XF - 50 FEET, XJ - 75 FEET, OR XL - 100 FEET.

IMPORTANT !

- 1.) MOISTURE AND TEMPERATURE SENSORS **MUST** BE CONNECTED TO VALIDATE THE CSA LISTING.
- 2.) A SPECIAL MOISTURE SENSOR RELAY IS REQUIRED IN THE CONTROL PANEL FOR PROPER OPERATION OF THE MOISTURE SENSORS. CONTACT CP&S FOR INFORMATION CONCERNING MOISTURE SENSING RELAYS FOR CUSTOMER SUPPLIED CONTROL PANELS.
- 3.) THESE PUMPS ARE CSA LISTED FOR PUMPING WATER AND WASTEWATER. **DO NOT USE TO PUMP FLAMMABLE LIQUIDS.** NOT SUITABLE FOR ENVIRONMENTS CONTAINING GASOLINE OR HEXANE.
- 4.) INSTALLATIONS SUCH AS DECORATIVE FOUNTAINS OR WATER FEATURES PROVIDED FOR VISUAL ENJOYMENT MUST BE INSTALLED IN ACCORDANCE WITH THE NATIONAL ELECTRIC CODE ANSI/NFPA 70 AND/OR THE AUTHORITY HAVING JURISDICTION. THIS PUMP IS NOT INTENDED FOR USE IN SWIMMING POOLS, RECREATIONAL WATER PARKS, OR INSTALLATIONS IN WHICH HUMAN CONTACT WITH PUMPED MEDIA IS A COMMON OCCURRENCE.
- 5.) A **NON-SPARKING** BREAKAWAY FITTING MUST BE USED TO VALIDATE THE EXPLOSION PROOF LISTING.
- 6.) WINDING RESISTANCE ± 7.5%. WINDING RESISTANCE MEASURED IN OHMS @ 25°C (BETWEEN LINES) AT MOTOR LEADS.
- 7.) PUMP RATED FOR OPERATION AT ± 10% VOLTAGE AT MOTOR.
- 8.) ALL EXPLOSION PROOF PUMPS AND MOTORS ARE CSA EXPLOSION-PROOF TO CLASS I DIVISION 1 GROUPS C&D T4 RATING

** CUSTOMER TO SPECIFY IMPELLER DIAMETER WHEN ORDERING.

SECTION 42A
PAGE 24
DATE 2/18

CRANE®

PUMPS & SYSTEMS

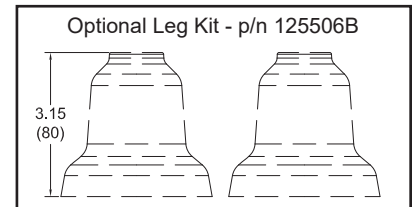
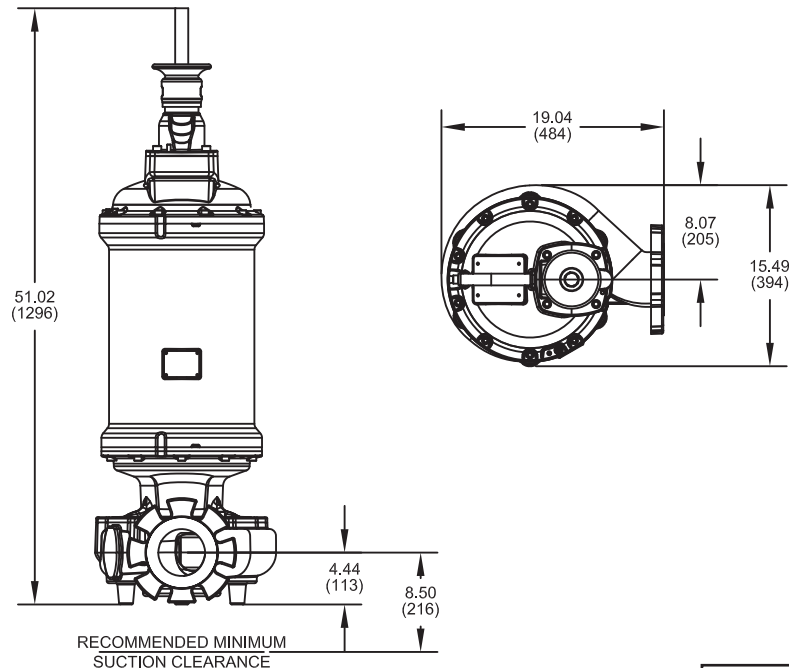
A Crane Co. Company

USA: (937) 778-8947 • Canada: (905) 457-6223 • International: (937) 615-3598

Demersible Non-Clog Pumps

#4 Frame Driver

inches
(mm)



Model No.	Imp. Dia. inches (mm)	HP	Voit	PH	Hz	RPM	NEMA Start Code	Full Load Amps	S.F.	S.F. Amps	Locked Rotor Amps	Cord P/N ▲	Cord Size
7365*-411-16-30N	9.45 (240)	20	208	3	60	1750	G	63.0	1.2	74.6	323.0	138318	6/4 - 18/4
7365*-411-32-30N	10.04 (255)	25	208	3	60	1750	G	77.8	1.2	93.4	359.0	138319	2/4 - 18/4
			230					71.4					
7365*-411-33-30N	10.83 (275)	30	208	3	60	1750	E	93.4	1.2	116.9	359.0	138319	2/4 - 18/4
			230					82.3					
7365*-411-49-30N	11.61 (295)	40	230	3	60	1750	E	106.0	1.2	126.4	486.0	138319	2/4 - 18/4
7365*-411-64-30N	11.61 (295)	40	460	3	60	1750	E	53.0	1.2	63.2	243.0	138318	6/4 - 18/4
7365*-411-79-30N	11.61 (295)	40	575	3	60	1750	E	42.4	1.2	50.6	194.4	138317	8/4 - 18/4

* FOR NON-EXPLOSION PROOF (STANDARD) MODELS, USE FIGURE NUMBER 7365N.

▲ CORD SOLD SEPARATELY. CORD SUFFIX: XF - 50 FEET, XJ - 75 FEET, OR XL - 100 FEET.

IMPORTANT !

- 1.) MOISTURE AND TEMPERATURE SENSORS **MUST** BE CONNECTED TO VALIDATE THE CSA LISTING.
 - 2.) A SPECIAL MOISTURE SENSOR RELAY IS REQUIRED IN THE CONTROL PANEL FOR PROPER OPERATION OF THE MOISTURE SENSORS. CONTACT CP&S FOR INFORMATION CONCERNING MOISTURE SENSING RELAYS FOR CUSTOMER SUPPLIED CONTROL PANELS.
 - 3.) THESE PUMPS ARE CSA LISTED FOR PUMPING WATER AND WASTEWATER. **DO NOT USE TO PUMP FLAMMABLE LIQUIDS.** NOT SUITABLE FOR ENVIRONMENTS CONTAINING GASOLINE OR HEXANE.
 - 4.) INSTALLATIONS SUCH AS DECORATIVE FOUNTAINS OR WATER FEATURES PROVIDED FOR VISUAL ENJOYMENT MUST BE INSTALLED IN ACCORDANCE WITH THE NATIONAL ELECTRIC CODE ANSI/NFPA 70 AND/OR THE AUTHORITY HAVING JURISDICTION. THIS PUMP IS NOT INTENDED FOR USE IN SWIMMING POOLS, RECREATIONAL WATER PARKS, OR INSTALLATIONS IN WHICH HUMAN CONTACT WITH PUMPED MEDIA IS A COMMON OCCURRENCE.
 - 5.) A **NON-SPARKING** BREAKAWAY FITTING MUST BE USED TO VALIDATE THE EXPLOSION PROOF LISTING.
 - 6.) WINDING RESISTANCE ± 7.5%. WINDING RESISTANCE MEASURED IN OHMS @ 25°C (BETWEEN LINES) AT MOTOR LEADS.
 - 7.) PUMP RATED FOR OPERATION AT ± 10% VOLTAGE AT MOTOR.
 - 8.) ALL EXPLOSION PROOF PUMPS AND MOTORS ARE CSA EXPLOSION-PROOF TO CLASS I DIVISION 1 GROUPS C&D T4 RATING
- ** CUSTOMER TO SPECIFY IMPELLER DIAMETER WHEN ORDERING.

Size 4MM (Mono Vane)

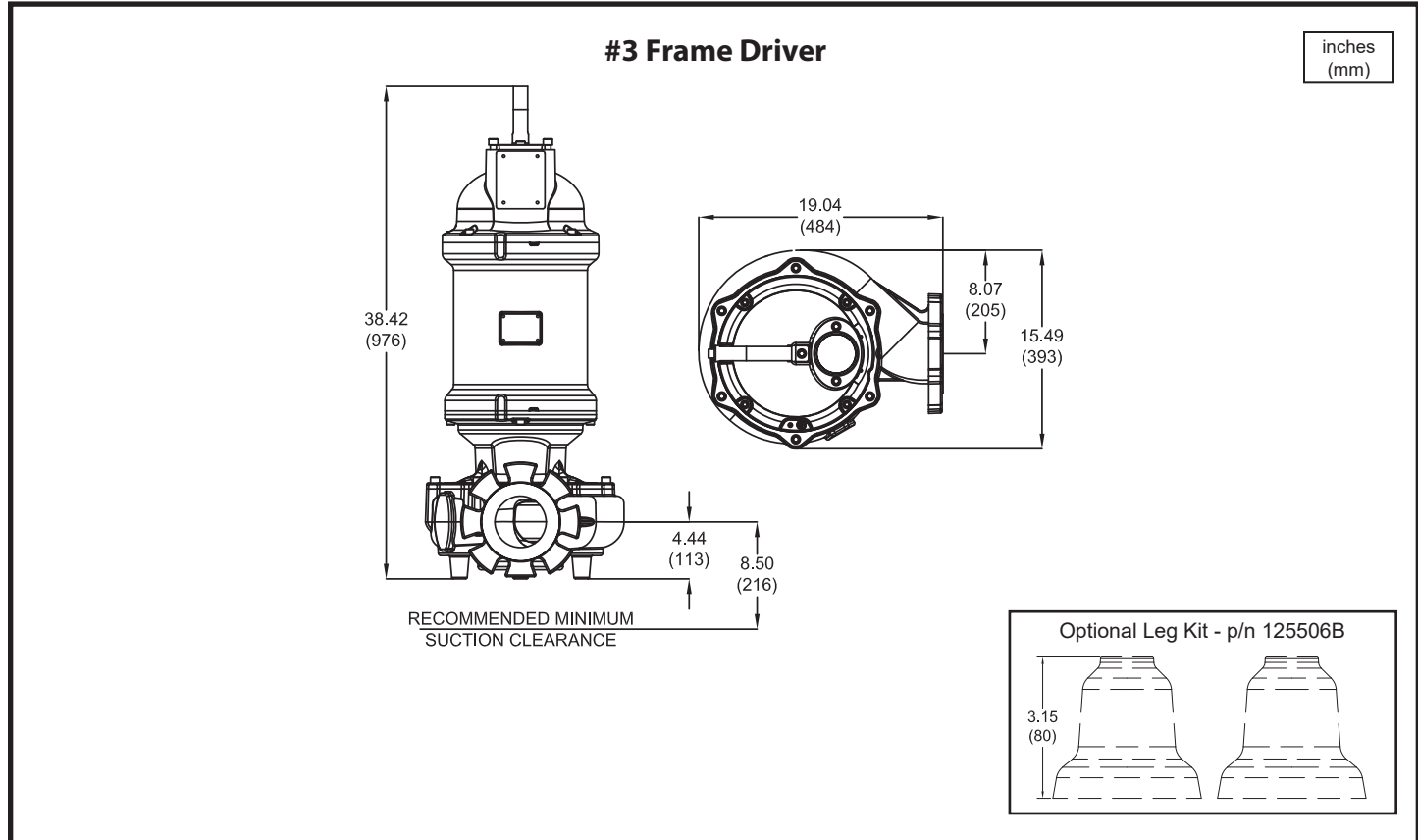
3" Spherical Solids Handling

7365*-446

DEMING®

www.cranepumps.com

Demersible Non-Clog Pumps



Model No.	Imp. Dia. inches (mm)	HP	Volt	PH	Hz	RPM	NEMA Start Code	Full Load Amps	S.F.	S.F. Amps	Locked Rotor Amps	Cord P/N ▲	Cord Size
7365*-446-1H-30N	10.43 (265)	7.5	208	3	60	1150	J	24.9	1.2	29.6	137.6	125496	12/4 - 18/4
			230					27.6					
			460					13.8		68.8			
7365*-446-73-30N	10.43 (265)	7.5	575	3	60	1150	J	9.6	1.2	11.0	55.0	125497	12/4 - 18/4
7365*-446-1J-30N	11.22 (285)	10	208	3	60	1150	F	32.9	1.2	41.0	137.6	125498	8/4 - 18/4
			230					35.8					
			460					17.9		68.8			
7365*-446-74-30N	11.22 (285)	10	575	3	60	1150	F	12.1	1.2	14.3	55.0	125497	12/4 - 18/4
7365*-446-1K-30N	11.61 (295)	15	208	3	60	1150	H	47.0	1.2	56.8	248.6	125498	8/4 - 18/4
			230					51.4					
			460					25.7		124.3			
7365*-446-75-30N	11.61 (295)	15	575	3	60	1150	H	17.6	1.2	20.6	99.4	125497	12/4 - 18/4

* FOR NON-EXPLOSION PROOF (STANDARD) MODELS, USE FIGURE NUMBER 7365N.

▲ CORD SOLD SEPARATELY. CORD SUFFIX: XF - 50 FEET, XJ - 75 FEET, OR XL - 100 FEET.

IMPORTANT !

- 1.) MOISTURE AND TEMPERATURE SENSORS **MUST** BE CONNECTED TO VALIDATE THE CSA LISTING.
 - 2.) A SPECIAL MOISTURE SENSOR RELAY IS REQUIRED IN THE CONTROL PANEL FOR PROPER OPERATION OF THE MOISTURE SENSORS. CONTACT CP&S FOR INFORMATION CONCERNING MOISTURE SENSING RELAYS FOR CUSTOMER SUPPLIED CONTROL PANELS.
 - 3.) THESE PUMPS ARE CSA LISTED FOR PUMPING WATER AND WASTEWATER. **DO NOT USE TO PUMP FLAMMABLE LIQUIDS.** NOT SUITABLE FOR ENVIRONMENTS CONTAINING GASOLINE OR HEXANE.
 - 4.) INSTALLATIONS SUCH AS DECORATIVE FOUNTAINS OR WATER FEATURES PROVIDED FOR VISUAL ENJOYMENT MUST BE INSTALLED IN ACCORDANCE WITH THE NATIONAL ELECTRIC CODE ANSI/NFPA 70 AND/OR THE AUTHORITY HAVING JURISDICTION. THIS PUMP IS NOT INTENDED FOR USE IN SWIMMING POOLS, RECREATIONAL WATER PARKS, OR INSTALLATIONS IN WHICH HUMAN CONTACT WITH PUMPED MEDIA IS A COMMON OCCURRENCE.
 - 5.) A **NON-SPARKING** BREAKAWAY FITTING MUST BE USED TO VALIDATE THE EXPLOSION PROOF LISTING.
 - 6.) WINDING RESISTANCE ± 7.5%. WINDING RESISTANCE MEASURED IN OHMS @ 25°C (BETWEEN LINES) AT MOTOR LEADS.
 - 7.) PUMP RATED FOR OPERATION AT ± 10% VOLTAGE AT MOTOR.
 - 8.) ALL EXPLOSION PROOF PUMPS AND MOTORS ARE CSA EXPLOSION-PROOF TO CLASS I DIVISION 1 GROUPS C&D T4 RATING
- ** CUSTOMER TO SPECIFY IMPELLER DIAMETER WHEN ORDERING.

SECTION 42A
PAGE 26
DATE 2/18



PUMPS & SYSTEMS

A Crane Co. Company

USA: (937) 778-8947 • Canada: (905) 457-6223 • International: (937) 615-3598