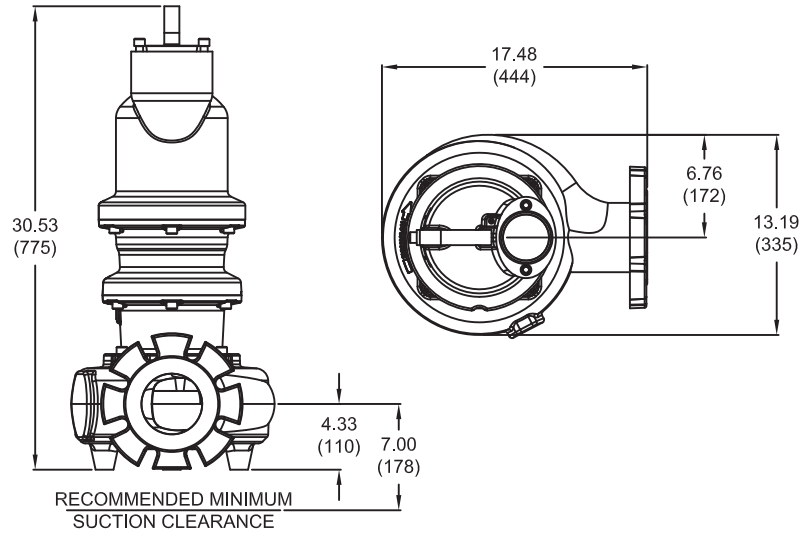
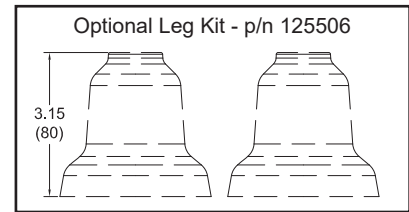


Demersible Non-Clog Pumps

#2 Frame Driver



inches
(mm)



| Model No. | Imp. Dia. inches (mm) | HP | Volt | PH | Hz | RPM | NEMA Start Code | Full Load Amps | S.F. | S.F. Amps | Locked Rotor Amps | Cord P/N ▲ | Cord Size | | | | |
|------------------|-----------------------------|-----|------|----|----|------|-----------------------|----------------------|------|--------------|-------------------------|---------------|-------------|------|-------|--------|-------------|
| 7365*-429-1S-30N | 5.51 (140) | 7.5 | 208 | 3 | 60 | 3450 | M | 24.2 | 1.2 | 28.0 | 173.9 | 125496 | 12/4 - 18/4 | | | | |
| | | | 230 | | | | | 25.4 | | | | | | 28.2 | 201.0 | 125496 | 12/4 - 18/4 |
| | | | 460 | | | | | 12.7 | | | | | | 14.1 | 100.5 | 125497 | 12/4 - 18/4 |
| 7365*-429-87-30N | 5.51 (140) | 7.5 | 575 | 3 | 60 | 3450 | M | 10.2 | 1.2 | 11.3 | 80.4 | 125497 | 12/4 - 18/4 | | | | |
| 7365*-429-1T-30N | 6.30 (160) | 10 | 208 | 3 | 60 | 3450 | K | 30.8 | 1.2 | 37.0 | 173.9 | 125498 | 8/4 - 18/4 | | | | |
| | | | 230 | | | | | 30.1 | | | | | | 34.8 | 201.0 | 125498 | 8/4 - 18/4 |
| | | | 460 | | | | | 15.1 | | | | | | 17.4 | 100.5 | 125497 | 12/4 - 18/4 |
| 7365*-429-88-30N | 6.30 (160) | 10 | 575 | 3 | 60 | 3450 | K | 12.1 | 1.2 | 13.9 | 80.4 | 125497 | 12/4 - 18/4 | | | | |

* FOR NON-EXPLOSION PROOF (STANDARD) MODELS, USE FIGURE NUMBER 7365N.

▲ CORD SOLD SEPARATELY. CORD SUFFIX: XC - 30 FEET, XF - 50 FEET, XJ - 75 FEET, OR XL - 100 FEET.

IMPORTANT !

- 1.) MOISTURE AND TEMPERATURE SENSORS **MUST** BE CONNECTED TO VALIDATE THE CSA LISTING.
 - 2.) A SPECIAL MOISTURE SENSOR RELAY IS REQUIRED IN THE CONTROL PANEL FOR PROPER OPERATION OF THE MOISTURE SENSORS. CONTACT CP&S FOR INFORMATION CONCERNING MOISTURE SENSING RELAYS FOR CUSTOMER SUPPLIED CONTROL PANELS.
 - 3.) THESE PUMPS ARE CSA LISTED FOR PUMPING WATER AND WASTEWATER. **DO NOT USE TO PUMP FLAMMABLE LIQUIDS.** NOT SUITABLE FOR ENVIRONMENTS CONTAINING GASOLINE OR HEXANE.
 - 4.) INSTALLATIONS SUCH AS DECORATIVE FOUNTAINS OR WATER FEATURES PROVIDED FOR VISUAL ENJOYMENT MUST BE INSTALLED IN ACCORDANCE WITH THE NATIONAL ELECTRIC CODE ANSI/NFPA 70 AND/OR THE AUTHORITY HAVING JURISDICTION. THIS PUMP IS NOT INTENDED FOR USE IN SWIMMING POOLS, RECREATIONAL WATER PARKS, OR INSTALLATIONS IN WHICH HUMAN CONTACT WITH PUMPED MEDIA IS A COMMON OCCURRENCE.
 - 5.) A **NON-SPARKING** BREAKAWAY FITTING MUST BE USED TO VALIDATE THE EXPLOSION PROOF LISTING.
 - 6.) WINDING RESISTANCE ± 7.5%. WINDING RESISTANCE MEASURED IN OHMS @ 25°C (BETWEEN LINES) AT MOTOR LEADS.
 - 7.) PUMP RATED FOR OPERATION AT ± 10% VOLTAGE AT MOTOR.
 - 8.) ALL EXPLOSION PROOF PUMPS AND MOTORS ARE CSA EXPLOSION-PROOF TO CLASS I DIVISION 1 GROUPS C&D T4 RATING
- ** CUSTOMER TO SPECIFY IMPELLER DIAMETER WHEN ORDERING.

Size 4VL (Vortex)

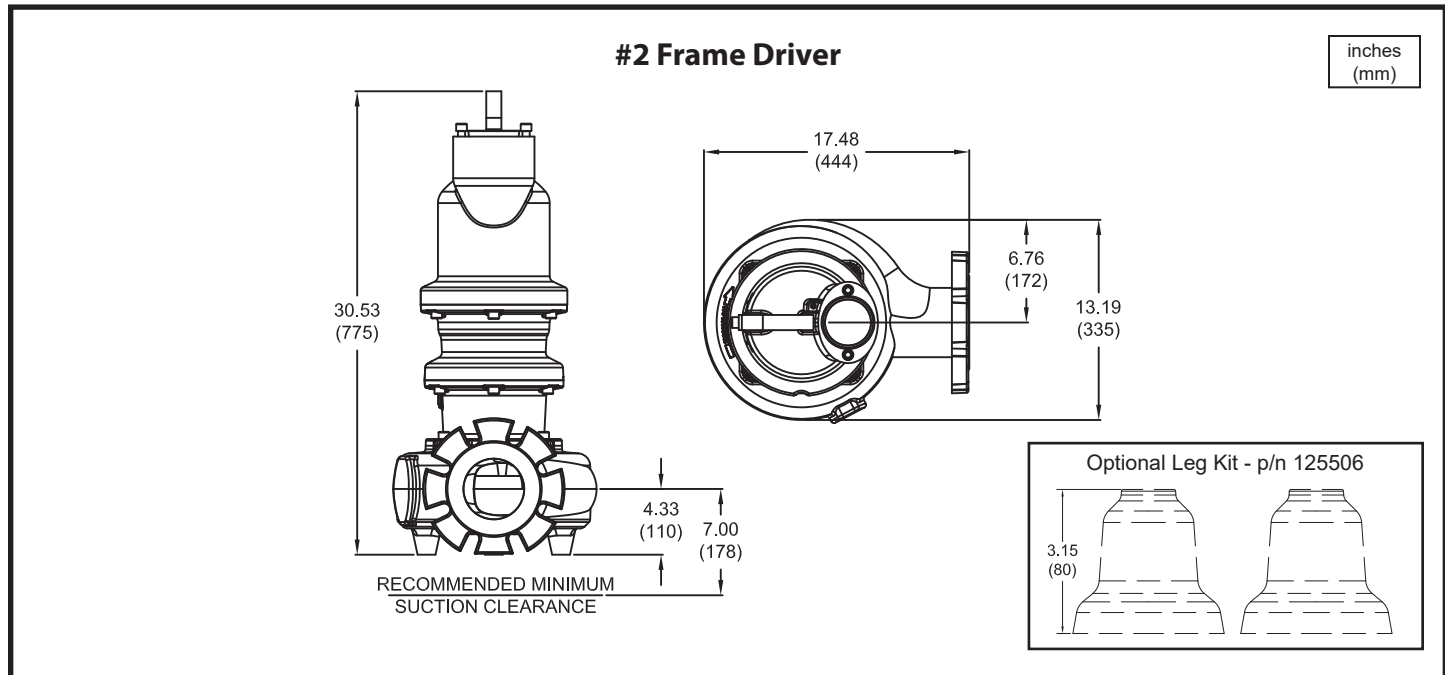
3" Spherical Solids Handling

7365*-430

DEMING®

www.cranepumps.com

Demersible Non-Clog Pumps



| Model No. | Imp. Dia. inches (mm) | HP | Volt | PH | Hz | RPM | NEMA Start Code | Full Load Amps | S.F. | S.F. Amps | Locked Rotor Amps | Cord P/N ▲ | Cord Size |
|------------------|-----------------------------|----|------|----|----|------|-----------------------|----------------------|------|--------------|-------------------------|---------------|-------------|
| 7365*-430-25-10N | 6.89 (175) | 2 | 208 | 1 | 60 | 1750 | G | 10.4 | 1.2 | 12.1 | 59.1 | 125496 | 12/4 - 18/4 |
| | | | 230 | | | | J | 10.7 | 1.2 | 11.9 | 66.3 | 125496 | 12/4 - 18/4 |
| 7365*-430-1M-30N | 6.89 (175) | 2 | 208 | 3 | 60 | 1750 | P | 7.4 | 1.2 | 8.3 | 58.2 | 125496 | 12/4 - 18/4 |
| | | | 230 | | | | | 7.4 | 1.2 | 8.0 | 65.8 | 125496 | 12/4 - 18/4 |
| | | | 460 | | | | | 3.7 | 1.2 | 4.0 | 32.9 | 125497 | 12/4 - 18/4 |
| 7365*-430-70-30N | 6.89 (175) | 2 | 575 | 3 | 60 | 1750 | T | 3.9 | 1.2 | 4.2 | 37.0 | 125497 | 12/4 - 18/4 |
| 7365*-430-26-10N | 7.48 (190) | 3 | 208 | 1 | 60 | 1750 | D | 14.9 | 1.2 | 118.5 | 59.1 | 125496 | 12/4 - 18/4 |
| | | | 230 | | | | F | 14.1 | 1.2 | 16.5 | 66.3 | 125496 | 12/4 - 18/4 |
| 7365*-430-1P-30N | 7.48 (190) | 3 | 208 | 3 | 60 | 1750 | K | 9.7 | 1.2 | 11.4 | 58.2 | 125496 | 12/4 - 18/4 |
| | | | 230 | | | | | 9.2 | 1.2 | 10.6 | 65.8 | 125496 | 12/4 - 18/4 |
| | | | 460 | | | | | 4.6 | 1.2 | 5.3 | 32.9 | 125497 | 12/4 - 18/4 |
| 7365*-430-71-30N | 7.48 (190) | 3 | 575 | 3 | 60 | 1750 | N | 4.5 | 1.2 | 4.9 | 37.0 | 125497 | 12/4 - 18/4 |
| 7365*-430-27-10N | 8.07 (175) | 5 | 208 | 1 | 60 | 1750 | D | 27.2 | 1.2 | 35.6 | 99.9 | 125498 | 8/4 - 18/4 |
| | | | 230 | | | | F | 25.4 | 1.2 | 30.2 | 112.4 | 125496 | 12/4 - 18/4 |
| 7365*-430-1R-30N | 8.07 (175) | 5 | 208 | 3 | 60 | 1750 | J | 15.8 | 1.2 | 18.7 | 82.4 | 125496 | 12/4 - 18/4 |
| | | | 230 | | | | | 15.0 | 1.2 | 17.2 | 92.4 | 125496 | 12/4 - 18/4 |
| | | | 460 | | | | | 7.5 | 1.2 | 8.6 | 46.2 | 125497 | 12/4 - 18/4 |
| 7365*-430-72-30N | 8.07 (175) | 5 | 575 | 3 | 60 | 1750 | J | 6.0 | 1.2 | 6.9 | 37.0 | 125497 | 12/4 - 18/4 |

* FOR NON-EXPLOSION PROOF (STANDARD) MODELS, USE FIGURE NUMBER 7365N.

▲ CORD SOLD SEPARATELY. CORD SUFFIX: XC - 30 FEET, XF - 50 FEET, XJ - 75 FEET, OR XL - 100 FEET.

IMPORTANT !

- 1.) MOISTURE AND TEMPERATURE SENSORS **MUST** BE CONNECTED TO VALIDATE THE CSA LISTING.
 - 2.) A SPECIAL MOISTURE SENSOR RELAY IS REQUIRED IN THE CONTROL PANEL FOR PROPER OPERATION OF THE MOISTURE SENSORS. CONTACT CP&S FOR INFORMATION CONCERNING MOISTURE SENSING RELAYS FOR CUSTOMER SUPPLIED CONTROL PANELS.
 - 3.) THESE PUMPS ARE CSA LISTED FOR PUMPING WATER AND WASTEWATER. **DO NOT USE TO PUMP FLAMMABLE LIQUIDS.** NOT SUITABLE FOR ENVIRONMENTS CONTAINING GASOLINE OR HEXANE.
 - 4.) INSTALLATIONS SUCH AS DECORATIVE FOUNTAINS OR WATER FEATURES PROVIDED FOR VISUAL ENJOYMENT MUST BE INSTALLED IN ACCORDANCE WITH THE NATIONAL ELECTRIC CODE ANSI/NFPA 70 AND/OR THE AUTHORITY HAVING JURISDICTION. THIS PUMP IS NOT INTENDED FOR USE IN SWIMMING POOLS, RECREATIONAL WATER PARKS, OR INSTALLATIONS IN WHICH HUMAN CONTACT WITH PUMPED MEDIA IS A COMMON OCCURRENCE.
 - 5.) A **NON-SPARKING** BREAKAWAY FITTING MUST BE USED TO VALIDATE THE EXPLOSION PROOF LISTING.
 - 6.) WINDING RESISTANCE ± 7.5%. WINDING RESISTANCE MEASURED IN OHMS @ 25°C (BETWEEN LINES) AT MOTOR LEADS.
 - 7.) PUMP RATED FOR OPERATION AT ± 10% VOLTAGE AT MOTOR.
 - 8.) ALL EXPLOSION PROOF PUMPS AND MOTORS ARE CSA EXPLOSION-PROOF TO CLASS I DIVISION 1 GROUPS C&D T4 RATING
- ** CUSTOMER TO SPECIFY IMPELLER DIAMETER WHEN ORDERING.

SECTION 42A
PAGE 46
DATE 2/18



PUMPS & SYSTEMS

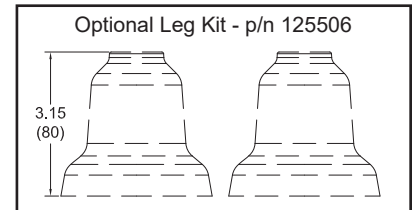
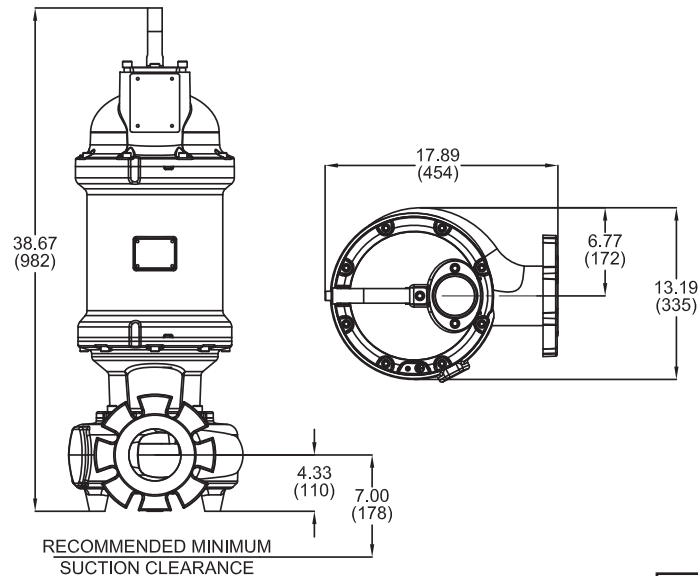
A Crane Co. Company

USA: (937) 778-8947 • Canada: (905) 457-6223 • International: (937) 615-3598

Demersible Non-Clog Pumps

#3 Frame Driver

inches
(mm)



| Model No. | Imp. Dia. inches (mm) | HP | Volt | PH | Hz | RPM | NEMA Start Code | Full Load Amps | S.F. | S.F. Amps | Locked Rotor Amps | Cord P/N ▲ | Cord Size |
|------------------|-----------------------------|----|------|----|----|------|-----------------------|----------------------|------|--------------|-------------------------|---------------|-------------|
| 7365*-429-1K-30N | 6.69 (170) | 15 | 208 | 3 | 60 | 3450 | E | 54.1 | 1.2 | 59.0 | 195.7 | 125498 | 8/4 - 18/4 |
| | | | 230 | | | | | 48.9 | | 57.1 | | 125498 | 8/4 - 18/4 |
| | | | 460 | | | | | 24.4 | | 28.5 | | 88.5 | 125497 |
| 7365*-429-75-30N | 6.69 (170) | 15 | 575 | 3 | 60 | 3450 | E | 19.5 | 1.2 | 22.8 | 70.8 | 125497 | 12/4 - 18/4 |
| 7365*-429-1L-30N | 7.09 (180) | 20 | 230 | 3 | 60 | 3450 | J | 50.8 | 1.2 | 59.0 | 189.0 | 125498 | 8/4 - 18/4 |
| | | | 460 | | | | | 25.4 | | 29.7 | | 125497 | 12/4 - 18/4 |
| 7365*-429-76-30N | 7.09 (180) | 20 | 575 | 3 | 60 | 3450 | J | 20.3 | 1.2 | 23.8 | 151.2 | 125497 | 12/4 - 18/4 |
| 7365*-429-62-30N | 7.29 (185) | 25 | 460 | 3 | 60 | 3450 | G | 30.8 | 1.2 | 36.7 | 189.0 | 125499 | 8/4 - 18/4 |
| 7365*-429-77-30N | 7.29 (185) | 25 | 575 | 3 | 60 | 3450 | G | 24.6 | 1.2 | 29.4 | 151.2 | 125497 | 12/4 - 18/4 |
| 7365*-429-63-30N | 7.68 (195) | 30 | 460 | 3 | 60 | 3450 | F | 36.7 | 1.2 | 44.3 | 189.0 | 125499 | 8/4 - 18/4 |
| 7365*-429-78-30N | 7.68 (195) | 30 | 575 | 3 | 60 | 3450 | F | 29.4 | 1.2 | 35.4 | 151.2 | 125499 | 8/4 - 18/4 |

* FOR NON-EXPLOSION PROOF (STANDARD) MODELS, USE FIGURE NUMBER 7365N.

▲ CORD SOLD SEPARATELY. CORD SUFFIX: XF - 50 FEET, XJ - 75 FEET, OR XL - 100 FEET.

IMPORTANT !

- 1.) MOISTURE AND TEMPERATURE SENSORS **MUST** BE CONNECTED TO VALIDATE THE CSA LISTING.
 - 2.) A SPECIAL MOISTURE SENSOR RELAY IS REQUIRED IN THE CONTROL PANEL FOR PROPER OPERATION OF THE MOISTURE SENSORS. CONTACT CP&S FOR INFORMATION CONCERNING MOISTURE SENSING RELAYS FOR CUSTOMER SUPPLIED CONTROL PANELS.
 - 3.) THESE PUMPS ARE CSA LISTED FOR PUMPING WATER AND WASTEWATER. **DO NOT USE TO PUMP FLAMMABLE LIQUIDS.** NOT SUITABLE FOR ENVIRONMENTS CONTAINING GASOLINE OR HEXANE.
 - 4.) INSTALLATIONS SUCH AS DECORATIVE FOUNTAINS OR WATER FEATURES PROVIDED FOR VISUAL ENJOYMENT MUST BE INSTALLED IN ACCORDANCE WITH THE NATIONAL ELECTRIC CODE ANSI/NFPA 70 AND/OR THE AUTHORITY HAVING JURISDICTION. THIS PUMP IS NOT INTENDED FOR USE IN SWIMMING POOLS, RECREATIONAL WATER PARKS, OR INSTALLATIONS IN WHICH HUMAN CONTACT WITH PUMPED MEDIA IS A COMMON OCCURRENCE.
 - 5.) A **NON-SPARKING** BREAKAWAY FITTING MUST BE USED TO VALIDATE THE EXPLOSION PROOF LISTING.
 - 6.) WINDING RESISTANCE ± 7.5%. WINDING RESISTANCE MEASURED IN OHMS @ 25°C (BETWEEN LINES) AT MOTOR LEADS.
 - 7.) PUMP RATED FOR OPERATION AT ± 10% VOLTAGE AT MOTOR.
 - 8.) ALL EXPLOSION PROOF PUMPS AND MOTORS ARE CSA EXPLOSION-PROOF TO CLASS I DIVISION 1 GROUPS C&D T4 RATING
- ** CUSTOMER TO SPECIFY IMPELLER DIAMETER WHEN ORDERING.

Size 4VL (Vortex)

3" Spherical Solids Handling

7365*-429

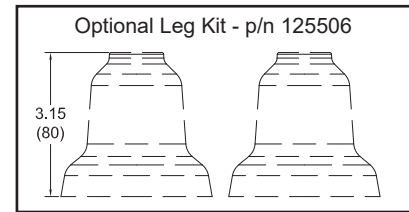
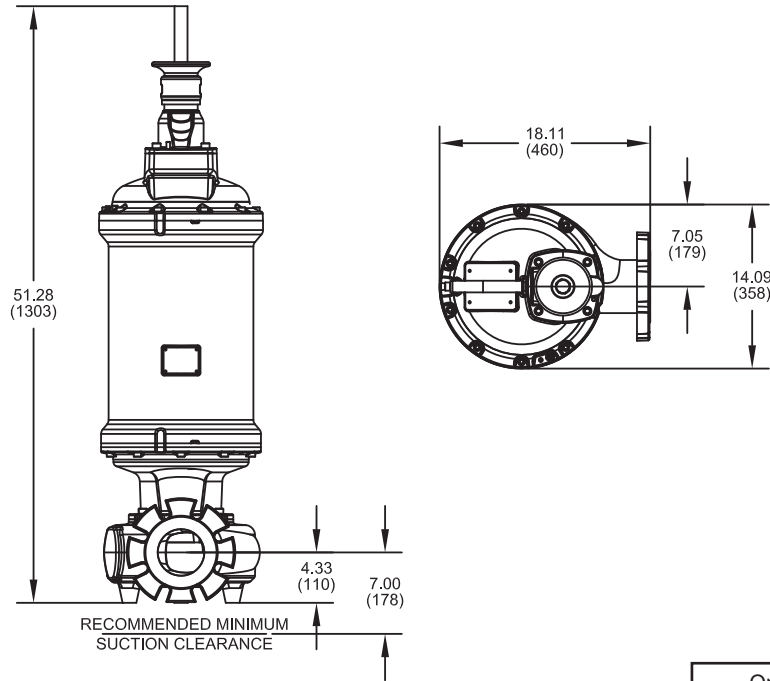
DEMING®

www.cranepumps.com

Demersible Non-Clog Pumps

#4 Frame Driver

inches
(mm)



| Model No. | Imp. Dia. inches (mm) | HP | Voit | PH | Hz | RPM | NEMA Start Code | Full Load Amps | S.F. | S.F. Amps | Locked Rotor Amps | Cord P/N ▲ | Cord Size |
|------------------|-----------------------------|----|------|----|----|------|-----------------------|----------------------|------|--------------|-------------------------|---------------|------------|
| 7365*-429-16-30N | 7.09 (180) | 20 | 208 | 3 | 60 | 3450 | G | 75.8 | 1.2 | 87.0 | 348.0 | 138319 | 2/4 - 18/4 |
| 7365*-429-32-30N | 7.29 (185) | 25 | 208 | 3 | 60 | 3450 | G | 90.0 | 1.2 | 106.0 | 386.0 | 138319 | 2/4 - 18/4 |
| | | | 230 | | | | | 80.0 | | | | | |
| 7365*-429-33-30N | 7.68 (195) | 30 | 208 | 3 | 60 | 3450 | E | 106.0 | 1.2 | 128.2 | 386.0 | 138319 | 2/4 - 18/4 |
| | | | 230 | | | | | 94.0 | | | | | |
| 7365*-429-49-30N | 8.07 (205) | 40 | 230 | 3 | 60 | 3450 | H | 116.2 | 1.2 | 135.1 | 658.0 | 138319 | 2/4 - 18/4 |
| 7365*-429-64-30N | 8.07 (205) | 40 | 460 | 3 | 60 | 3450 | H | 58.1 | 1.2 | 67.4 | 329.0 | 138318 | 6/4 - 18/4 |
| 7365*-429-79-30N | 8.07 (205) | 40 | 575 | 3 | 60 | 3450 | H | 46.5 | 1.2 | 55.8 | 263.2 | 138317 | 8/4 - 18/4 |

* FOR NON-EXPLOSION PROOF (STANDARD) MODELS, USE FIGURE NUMBER 7365N.

▲ CORD SOLD SEPARATELY. CORD SUFFIX: XF - 50 FEET, XJ - 75 FEET, OR XL - 100 FEET.

IMPORTANT !

- 1.) MOISTURE AND TEMPERATURE SENSORS **MUST** BE CONNECTED TO VALIDATE THE CSA LISTING.
 - 2.) A SPECIAL MOISTURE SENSOR RELAY IS REQUIRED IN THE CONTROL PANEL FOR PROPER OPERATION OF THE MOISTURE SENSORS. CONTACT CP&S FOR INFORMATION CONCERNING MOISTURE SENSING RELAYS FOR CUSTOMER SUPPLIED CONTROL PANELS.
 - 3.) THESE PUMPS ARE CSA LISTED FOR PUMPING WATER AND WASTEWATER. **DO NOT USE TO PUMP FLAMMABLE LIQUIDS.** NOT SUITABLE FOR ENVIRONMENTS CONTAINING GASOLINE OR HEXANE.
 - 4.) INSTALLATIONS SUCH AS DECORATIVE FOUNTAINS OR WATER FEATURES PROVIDED FOR VISUAL ENJOYMENT MUST BE INSTALLED IN ACCORDANCE WITH THE NATIONAL ELECTRIC CODE ANSI/NFPA 70 AND/OR THE AUTHORITY HAVING JURISDICTION. THIS PUMP IS NOT INTENDED FOR USE IN SWIMMING POOLS, RECREATIONAL WATER PARKS, OR INSTALLATIONS IN WHICH HUMAN CONTACT WITH PUMPED MEDIA IS A COMMON OCCURRENCE.
 - 5.) A **NON-SPARKING** BREAKAWAY FITTING MUST BE USED TO VALIDATE THE EXPLOSION PROOF LISTING.
 - 6.) WINDING RESISTANCE ± 7.5%. WINDING RESISTANCE MEASURED IN OHMS @ 25°C (BETWEEN LINES) AT MOTOR LEADS.
 - 7.) PUMP RATED FOR OPERATION AT ± 10% VOLTAGE AT MOTOR.
 - 8.) ALL EXPLOSION PROOF PUMPS AND MOTORS ARE CSA EXPLOSION-PROOF TO CLASS I DIVISION 1 GROUPS C&D T4 RATING
- ** CUSTOMER TO SPECIFY IMPELLER DIAMETER WHEN ORDERING.

SECTION 42A
PAGE 48
DATE 2/18

CRANE®

PUMPS & SYSTEMS

A Crane Co. Company

USA: (937) 778-8947 • Canada: (905) 457-6223 • International: (937) 615-3598