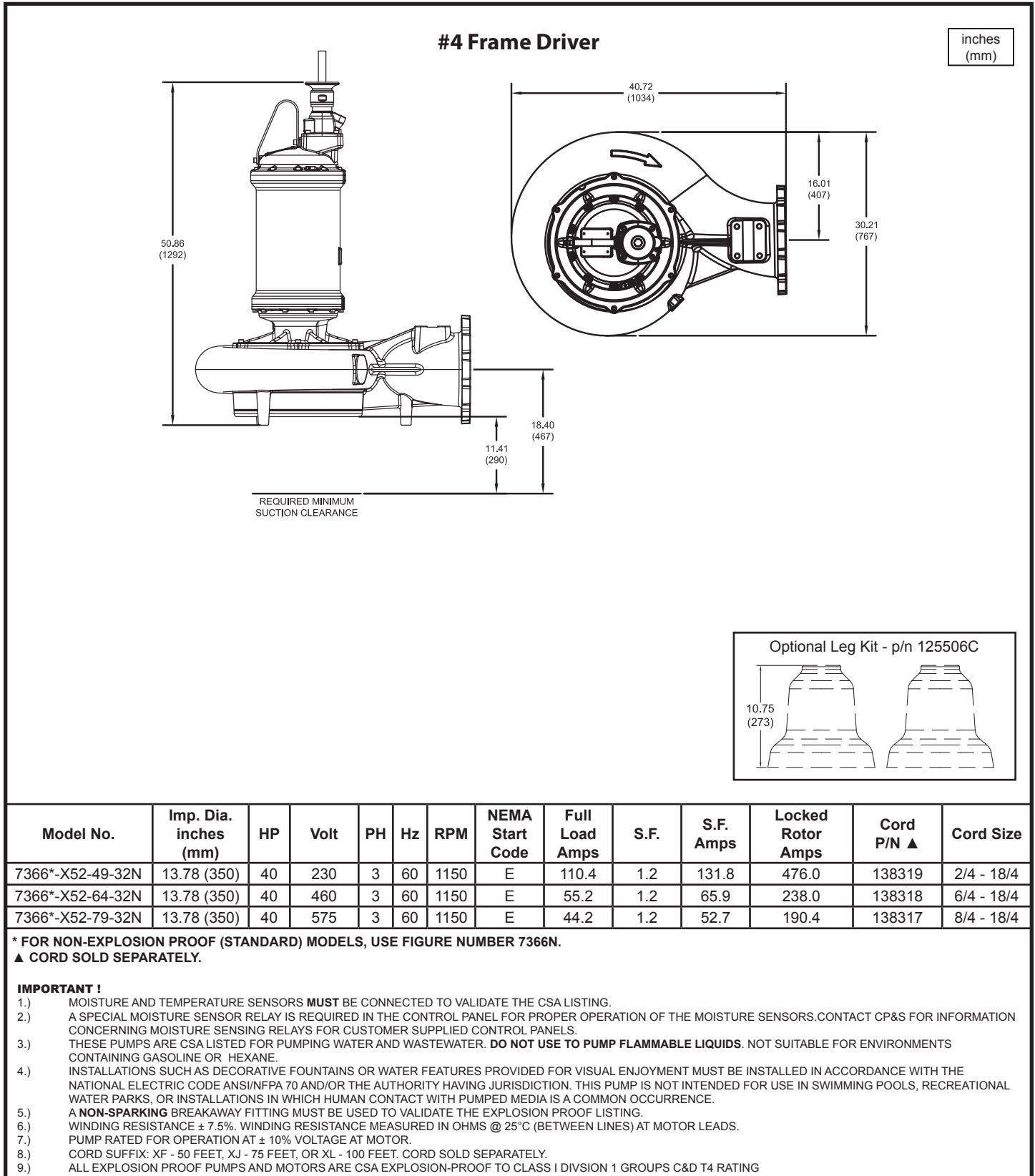


Demersible Chopper Pumps



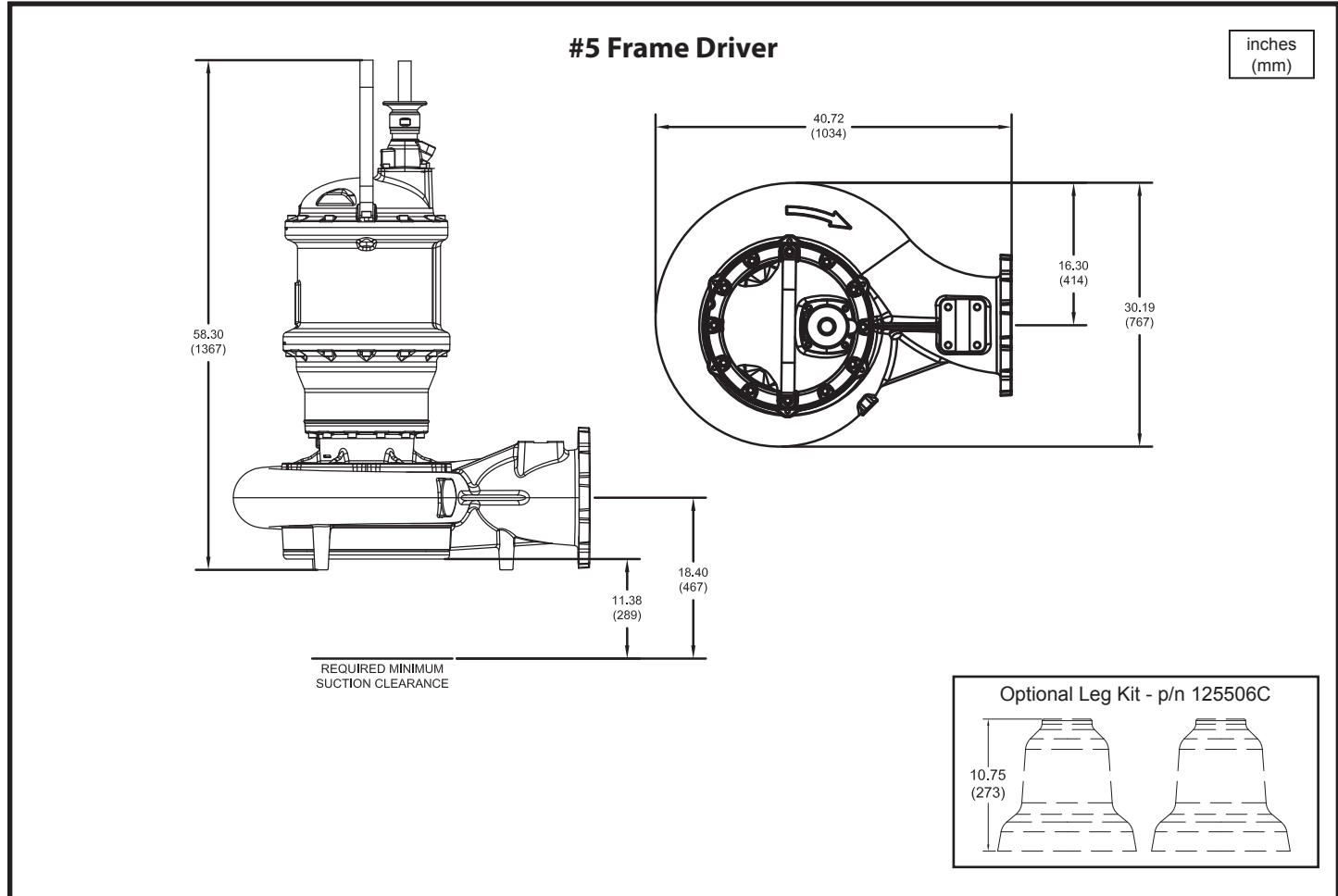
Size 10DL (Dual Vane)

7366*-X52

DEMING®

www.cranepumps.com

Demersible Chopper Pumps



| Model No. | Imp. Dia. inches (mm) | HP | Volt | PH | Hz | RPM | NEMA Start Code | Full Load Amps | S.F. | S.F. Amps | Locked Rotor Amps | Cord P/N ▲ | Cord Size |
|------------------|-----------------------|-----|------|----|----|------|-----------------|----------------|------|-----------|-------------------|------------|------------|
| 7366*-X52-95-32N | 14.57 (370) | 50 | 460 | 3 | 60 | 1150 | H | 76.4 | 1.15 | 84.0 | 400.0 | 138318 | 6/4 - 18/4 |
| 7366*-X52-1E-32N | 14.57 (370) | 50 | 575 | 3 | 60 | 1150 | H | 61.2 | 1.15 | 67.2 | 320.0 | 138318 | 6/4 - 18/4 |
| 7366*-X52-96-32N | 15.16 (385) | 60 | 460 | 3 | 60 | 1150 | F | 86.7 | 1.15 | 96.8 | 400.0 | 138319 | 2/4 - 18/4 |
| 7366*-X52-1F-32N | 15.16 (385) | 60 | 575 | 3 | 60 | 1150 | F | 69.4 | 1.15 | 77.4 | 320.0 | 138318 | 6/4 - 18/4 |
| 7366*-X52-67-32N | 16.14 (410) | 75 | 460 | 3 | 60 | 1150 | H | 109.3 | 1.15 | 119.5 | 612.0 | 138319 | 2/4 - 18/4 |
| 7366*-X52-82-32N | 16.14 (410) | 75 | 575 | 3 | 60 | 1150 | H | 87.4 | 1.15 | 95.6 | 489.6 | 138319 | 2/4 - 18/4 |
| 7366*-X52-68-32N | 17.32 (440) | 100 | 460 | 3 | 60 | 1150 | E | 135.0 | 1.0 | 135.0 | 612.0 | 138319 | 2/4 - 18/4 |
| 7366*-X52-83-32N | 17.32 (440) | 100 | 575 | 3 | 60 | 1150 | E | 108.0 | 1.0 | 108.0 | 489.6 | 138319 | 2/4 - 18/4 |

* FOR NON-EXPLOSION PROOF (STANDARD) MODELS, USE FIGURE NUMBER 7366N.

▲ CORD SOLD SEPARATELY.

IMPORTANT !

- 1.) MOISTURE AND TEMPERATURE SENSORS **MUST** BE CONNECTED TO VALIDATE THE CSA LISTING.
- 2.) A SPECIAL MOISTURE SENSOR RELAY IS REQUIRED IN THE CONTROL PANEL FOR PROPER OPERATION OF THE MOISTURE SENSORS. CONTACT CP&S FOR INFORMATION CONCERNING MOISTURE SENSING RELAYS FOR CUSTOMER SUPPLIED CONTROL PANELS.
- 3.) THESE PUMPS ARE CSA LISTED FOR PUMPING WATER AND WASTEWATER. **DO NOT USE TO PUMP FLAMMABLE LIQUIDS.** NOT SUITABLE FOR ENVIRONMENTS CONTAINING GASOLINE OR HEXANE.
- 4.) INSTALLATIONS SUCH AS DECORATIVE FOUNTAINS OR WATER FEATURES PROVIDED FOR VISUAL ENJOYMENT MUST BE INSTALLED IN ACCORDANCE WITH THE NATIONAL ELECTRIC CODE ANSI/NFPA 70 AND/OR THE AUTHORITY HAVING JURISDICTION. THIS PUMP IS NOT INTENDED FOR USE IN SWIMMING POOLS, RECREATIONAL WATER PARKS, OR INSTALLATIONS IN WHICH HUMAN CONTACT WITH PUMPED MEDIA IS A COMMON OCCURRENCE.
- 5.) A **NON-SPARKING** BREAKAWAY FITTING MUST BE USED TO VALIDATE THE EXPLOSION PROOF LISTING.
- 6.) WINDING RESISTANCE ± 7.5%. WINDING RESISTANCE MEASURED IN OHMS @ 25°C (BETWEEN LINES) AT MOTOR LEADS.
- 7.) PUMP RATED FOR OPERATION AT ± 10% VOLTAGE AT MOTOR.
- 8.) CORD SUFFIX: XF - 50 FEET, XJ - 75 FEET, OR XL - 100 FEET. CORD SOLD SEPARATELY.
- 9.) ALL EXPLOSION PROOF PUMPS AND MOTORS ARE CSA EXPLOSION-PROOF TO CLASS I DIVISION 1 GROUPS C&D T4 RATING

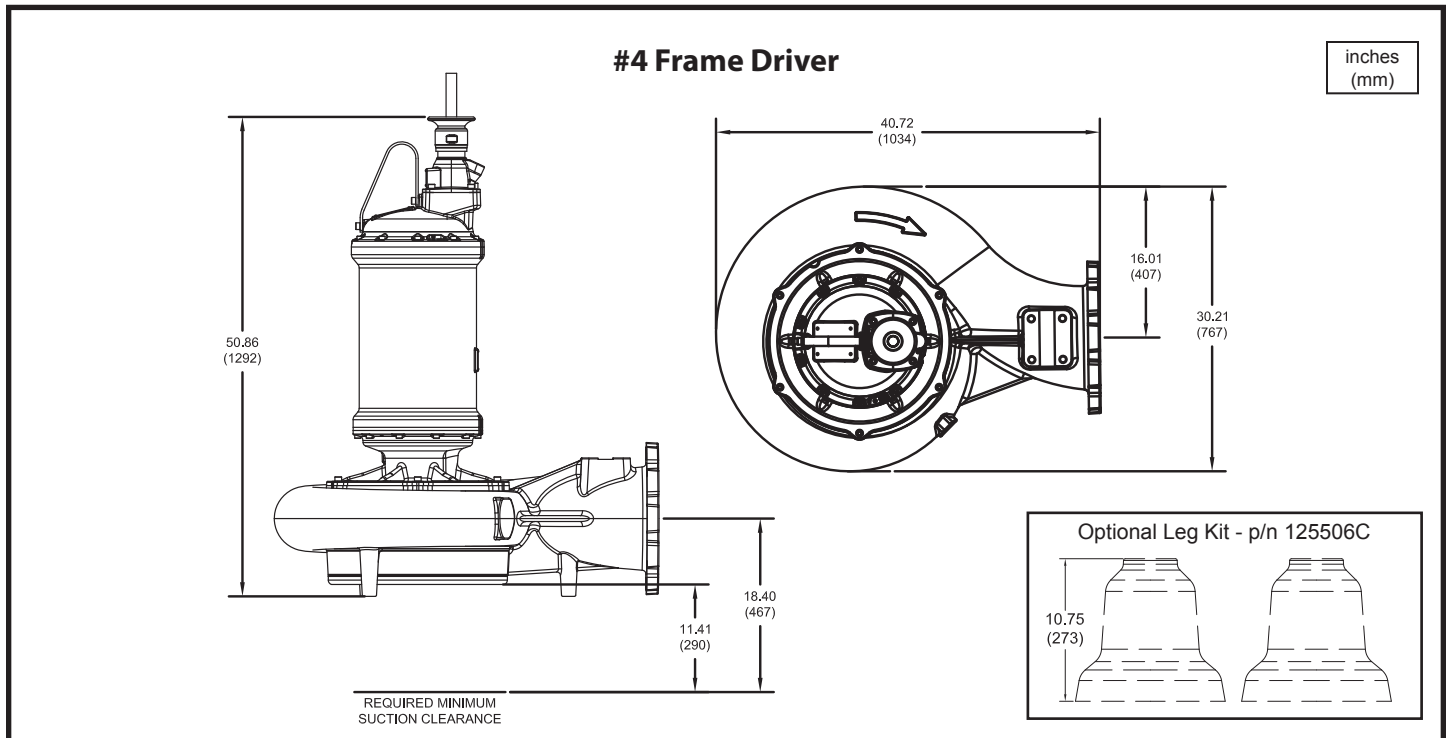
SECTION 42B
PAGE 68
DATE

CRANE
A Crane Co. Company

PUMPS & SYSTEMS

USA: (937) 778-8947 • Canada: (905) 457-6223 • International: (937) 615-3598

Demersible Chopper Pumps



| Model No. | Imp. Dia. inches (mm) | HP | Volt | PH | Hz | RPM | NEMA Start Code | Full Load Amps | S.F. | S.F. Amps | Locked Rotor Amps | Cord P/N ▲ | Cord Size |
|------------------|-----------------------|----|------|----|----|-----|-----------------|----------------|------|-----------|-------------------|------------|------------|
| 7366*-X53-38-32N | 13.39 (340) | 15 | 208 | 3 | 60 | 870 | G | 50.4 | 1.2 | 59.0 | 230.0 | 138317 | 8/4 - 18/4 |
| | | | 230 | | | | | 48.4 | | 55.6 | | | |
| 7366*-X53-90-32N | 13.39 (340) | 15 | 460 | 3 | 60 | 870 | G | 24.2 | 1.2 | 27.8 | 115.0 | 138317 | 8/4 - 18/4 |
| 7366*-X53-99-32N | 13.39 (340) | 15 | 575 | 3 | 60 | 870 | G | 19.4 | 1.2 | 22.2 | 92.0 | 138317 | 8/4 - 18/4 |
| 7366*-X53-31-32N | 14.37 (365) | 20 | 208 | 3 | 60 | 870 | J | 69.0 | 1.2 | 76.0 | 400.0 | 138318 | 6/4 - 18/4 |
| | | | 230 | | | | | 75.1 | | 79.0 | | | |
| 7366*-X53-91-32N | 14.37 (365) | 20 | 460 | 3 | 60 | 870 | J | 37.6 | 1.2 | 41.1 | 200.0 | 138317 | 8/4 - 18/4 |
| 7366*-X53-1A-32N | 14.37 (365) | 20 | 575 | 3 | 60 | 870 | J | 30.1 | 1.2 | 32.9 | 160.0 | 138317 | 8/4 - 18/4 |
| 7366*-X53-32-32N | 15.16 (385) | 25 | 208 | 3 | 60 | 870 | H | 82.3 | 1.2 | 98.8 | 400.0 | 138319 | 2/4 - 18/4 |
| | | | 230 | | | | | 84.0 | | 94.5 | | | |
| 7366*-X53-92-32N | 15.16 (385) | 25 | 460 | 3 | 60 | 870 | H | 42.0 | 1.2 | 47.2 | 200.0 | 138317 | 8/4 - 18/4 |
| 7366*-X53-1B-32N | 15.16 (385) | 25 | 575 | 3 | 60 | 870 | H | 33.6 | 1.2 | 37.8 | 160.0 | 138317 | 8/4 - 18/4 |
| 7366*-X53-33-32N | 16.14 (410) | 30 | 208 | 3 | 60 | 870 | F | 98.8 | 1.2 | 124.1 | 400.0 | 138319 | 2/4 - 18/4 |
| | | | 230 | | | | | 94.5 | | 108.6 | | | |
| 7366*-X53-93-32N | 16.14 (410) | 30 | 460 | 3 | 60 | 870 | F | 47.2 | 1.2 | 54.3 | 200.0 | 138317 | 8/4 - 18/4 |
| 7366*-X53-1C-32N | 16.14 (410) | 30 | 575 | 3 | 60 | 870 | F | 37.8 | 1.2 | 43.5 | 160.0 | 138317 | 8/4 - 18/4 |

* FOR NON-EXPLOSION PROOF (STANDARD) MODELS, USE FIGURE NUMBER 7366N.

▲ CORD SOLD SEPARATELY.

IMPORTANT !

- 1.) MOISTURE AND TEMPERATURE SENSORS **MUST** BE CONNECTED TO VALIDATE THE CSA LISTING.
- 2.) A SPECIAL MOISTURE SENSOR RELAY IS REQUIRED IN THE CONTROL PANEL FOR PROPER OPERATION OF THE MOISTURE SENSORS. CONTACT CP&S FOR INFORMATION CONCERNING MOISTURE SENSING RELAYS FOR CUSTOMER SUPPLIED CONTROL PANELS.
- 3.) THESE PUMPS ARE CSA LISTED FOR PUMPING WATER AND WASTEWATER. **DO NOT USE TO PUMP FLAMMABLE LIQUIDS.** NOT SUITABLE FOR ENVIRONMENTS CONTAINING GASOLINE OR HEXANE.
- 4.) INSTALLATIONS SUCH AS DECORATIVE FOUNTAINS OR WATER FEATURES PROVIDED FOR VISUAL ENJOYMENT MUST BE INSTALLED IN ACCORDANCE WITH THE NATIONAL ELECTRIC CODE ANSI/NFPA 70 AND/OR THE AUTHORITY HAVING JURISDICTION. THIS PUMP IS NOT INTENDED FOR USE IN SWIMMING POOLS, RECREATIONAL WATER PARKS, OR INSTALLATIONS IN WHICH HUMAN CONTACT WITH PUMPED MEDIA IS A COMMON OCCURRENCE.
- 5.) A **NON-SPARKING** BREAKAWAY FITTING MUST BE USED TO VALIDATE THE EXPLOSION PROOF LISTING.
- 6.) WINDING RESISTANCE ± 7.5%. WINDING RESISTANCE MEASURED IN OHMS @ 25°C (BETWEEN LINES) AT MOTOR LEADS.
- 7.) PUMP RATED FOR OPERATION AT ± 10% VOLTAGE AT MOTOR.
- 8.) CORD SUFFIX: XF - 50 FEET, XJ - 75 FEET, OR XL - 100 FEET. CORD SOLD SEPARATELY.
- 9.) ALL EXPLOSION PROOF PUMPS AND MOTORS ARE CSA EXPLOSION-PROOF TO CLASS I DIVISION 1 GROUPS C&D T4 RATING

Size 10DL (Dual Vane)

7366*-X53

DEMING®

www.cranepumps.com

Demersible Chopper Pumps

#5 Frame Driver

inches
(mm)

REQUIRED MINIMUM SUCTION CLEARANCE

Optional Leg Kit - p/n 125506C

| Model No. | Imp. Dia. inches (mm) | HP | Volt | PH | Hz | RPM | NEMA Start Code | Full Load Amps | S.F. | S.F. Amps | Locked Rotor Amps | Cord P/N ▲ | Cord Size |
|------------------|-----------------------------|----|------|----|----|-----|-----------------------|----------------------|------|--------------|-------------------------|---------------|------------|
| 7366*-X53-94-32N | 17.13 (435) | 40 | 460 | 3 | 60 | 870 | F | 62.2 | 1.15 | 69.4 | 275.0 | 138318 | 6/4 - 18/4 |
| 7366*-X53-1D-32N | 17.13 (435) | 40 | 575 | 3 | 60 | 870 | F | 49.8 | 1.15 | 55.5 | 220.0 | 138317 | 8/4 - 18/4 |
| 7366*-X53-95-32N | 17.91 (455) | 50 | 460 | 3 | 60 | 870 | D | 74.5 | 1.15 | 84.9 | 275.0 | 138318 | 6/4 - 18/4 |
| 7366*-X53-1E-32N | 17.91 (455) | 50 | 575 | 3 | 60 | 870 | D | 59.0 | 1.15 | 67.4 | 220.0 | 138317 | 8/4 - 18/4 |

*** FOR NON-EXPLOSION PROOF (STANDARD) MODELS, USE FIGURE NUMBER 7366N.**
▲ CORD SOLD SEPARATELY.

IMPORTANT !

- 1.) MOISTURE AND TEMPERATURE SENSORS **MUST** BE CONNECTED TO VALIDATE THE CSA LISTING.
- 2.) A SPECIAL MOISTURE SENSOR RELAY IS REQUIRED IN THE CONTROL PANEL FOR PROPER OPERATION OF THE MOISTURE SENSORS. CONTACT CP&S FOR INFORMATION CONCERNING MOISTURE SENSING RELAYS FOR CUSTOMER SUPPLIED CONTROL PANELS.
- 3.) THESE PUMPS ARE CSA LISTED FOR PUMPING WATER AND WASTEWATER. **DO NOT USE TO PUMP FLAMMABLE LIQUIDS.** NOT SUITABLE FOR ENVIRONMENTS CONTAINING GASOLINE OR HEXANE.
- 4.) INSTALLATIONS SUCH AS DECORATIVE FOUNTAINS OR WATER FEATURES PROVIDED FOR VISUAL ENJOYMENT MUST BE INSTALLED IN ACCORDANCE WITH THE NATIONAL ELECTRIC CODE ANSI/NFPA 70 AND/OR THE AUTHORITY HAVING JURISDICTION. THIS PUMP IS NOT INTENDED FOR USE IN SWIMMING POOLS, RECREATIONAL WATER PARKS, OR INSTALLATIONS IN WHICH HUMAN CONTACT WITH PUMPED MEDIA IS A COMMON OCCURRENCE.
- 5.) A **NON-SPARKING** BREAKAWAY FITTING MUST BE USED TO VALIDATE THE EXPLOSION PROOF LISTING.
- 6.) WINDING RESISTANCE ± 7.5%. WINDING RESISTANCE MEASURED IN OHMS @ 25°C (BETWEEN LINES) AT MOTOR LEADS.
- 7.) PUMP RATED FOR OPERATION AT ± 10% VOLTAGE AT MOTOR.
- 8.) CORD SUFFIX: XF - 50 FEET, XJ - 75 FEET, OR XL - 100 FEET. CORD SOLD SEPARATELY.
- 9.) ALL EXPLOSION PROOF PUMPS AND MOTORS ARE CSA EXPLOSION-PROOF TO CLASS I DIVISION 1 GROUPS C&D T4 RATING

SECTION 42B
PAGE 70
DATE

CRANE
A Crane Co. Company

PUMPS & SYSTEMS

USA: (937) 778-8947 • Canada: (905) 457-6223 • International: (937) 615-3598