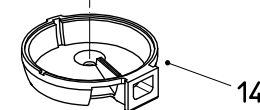
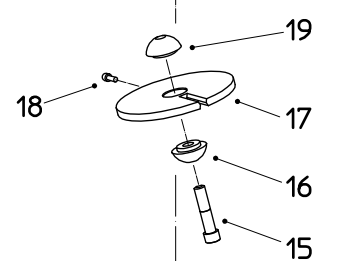
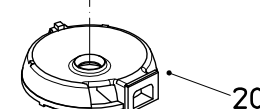
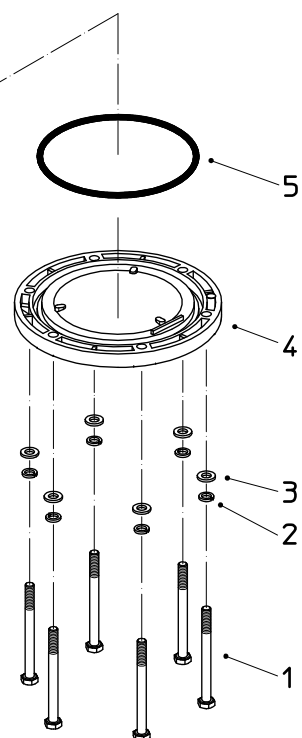
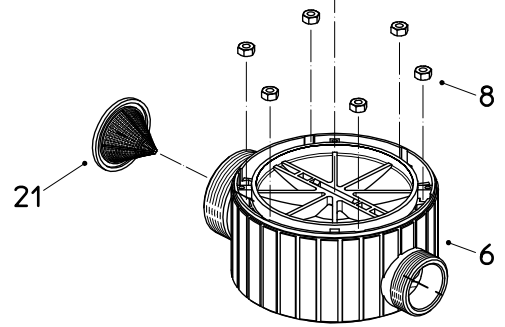
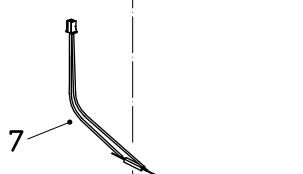
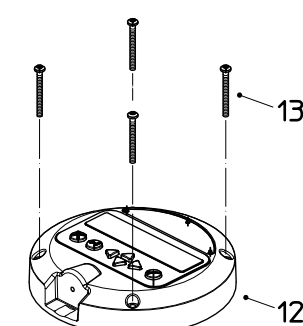
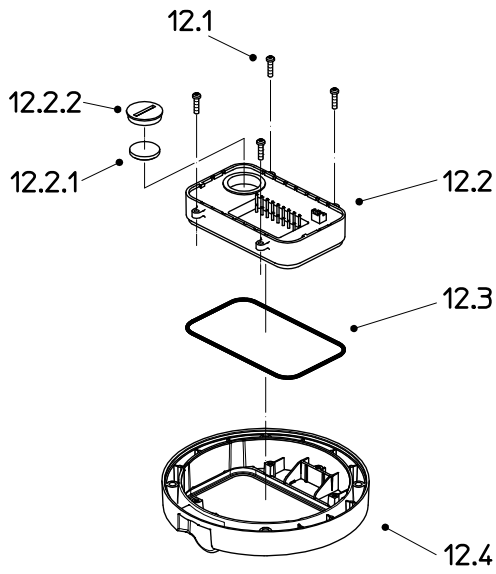


Pos. 12, um 180° gedreht
Pos. 12, rotated by 180°
Rep. 12, tourné sur 180°





Item No.	Qty. per unit	Description	Part No.	Part No.
Version according to exploded view				
No. 001 86 118 – 06/2011				
1	6	Hexagonal screw	900 81 010	
2	6	Spring washer	909 85 004	
3	6	Washer	908 06 013	
4	1	Cover	001 41 902	
5	1	O-ring (FKM)	925 95 071	
6	1	Meter housing	001 42 066	
7	1	Reed-relay	936 00 037	
8	6	Hexagonal nut	906 81 005	
9	1	Battery cover with o-ring	940 04 025	
10	1	Battery	940 04 024	
11	1	Connection block 9-pole	937 01 024	
12	1	Digital display unit consisting of item 12.1-12.4	001 42 108	
12.1	4	Oval head screw	902 15 001	
12.2	1	Digital display unit with item 12.1, 12.2.1, 12.2.2 and 12.3	001 42 118	
12.2.1	1	Battery	940 04 024	
12.2.2	1	Battery cover with o-ring	940 04 025	
12.3	1	Seal	925 19 004	
12.4	1	Cover plate	001 42 100	
13	4	Oval head screw	902 25 006	
	1	Measuring chamber cpl. consisting of item 14-17, 19 and 20	001 41 996	
	1	Measuring chamber consisting of item 14 and 20	001 41 952	
14	1	Measuring chamber – lower part *)		
	1	Ball with drive pin consisting of item 15, 16 and 19	001 41 951	
15	1	Drive pin with magnet *)		
16	1	Semi-ball for nutating disc *)		
17	1	Nutating disc with item 18	001 42 004	
18	1	Fixing pin	914 60 000	
19	1	Semi-ball for nutating disc *)		
20	1	Measuring chamber – upper part *)		
21	1	Filter strainer	001 41 980	
*) Not available as individual spare parts.				

Attention: Please always give full description, part no. and quantity of parts required.