

# An excellent mixture: The FLUX mixing Pump F 426

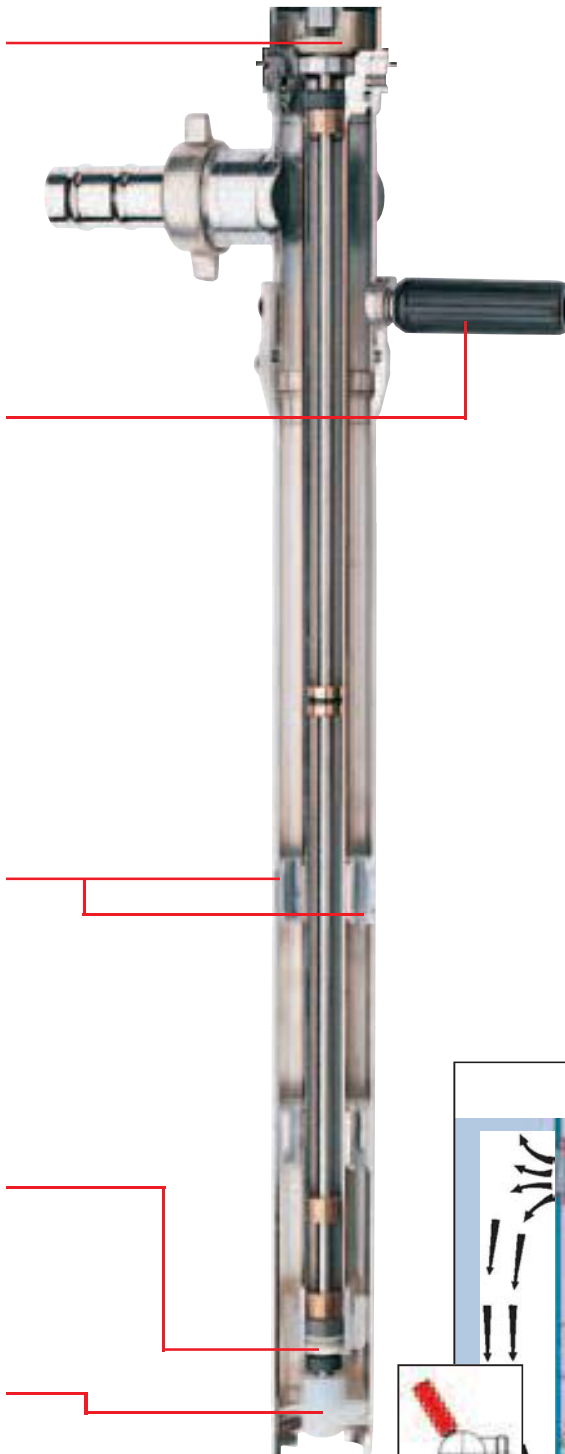
Flexible coupling  
between pump and  
motor

Adjusting lever to set  
the pump to mixing or  
discharge

Mixing openings

Packaging of the  
mechanical seal and  
rotary shaft seal adja-  
cent to each other  
ensures the maximum  
integrity of the sealed  
inner tube

Impeller in ETFE



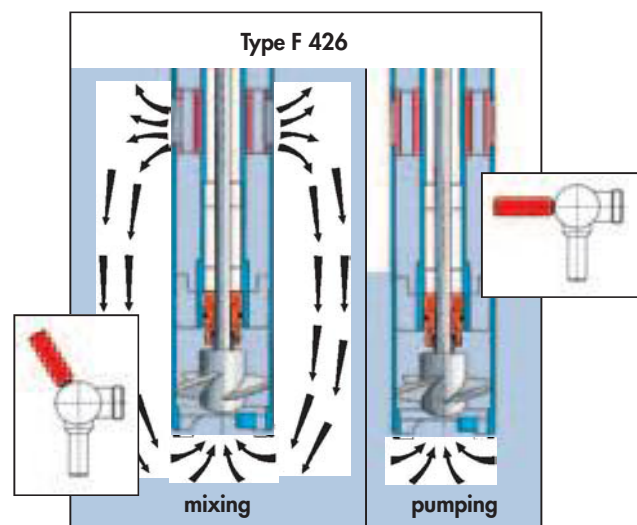
You want to mix and pump  
liquids within a closed drum or  
an open container.

By turning the adjusting lever, the  
pump can either mix or pump.  
Liquids can also be mixed even  
when being transferred to  
another container.

### Special advantages:

- No changes in the outer diameter of the pump tube in Stainless Steels as the pump works without any additional components
- Light and handy design
- Pump/drum connection glands are also in vapour-proof version available

Here the FLUX mixing pump is  
the right pump for you.



**Note:** All FLUX drum pumps  
are stripped for cleaning  
with a minimum of effort.

pdfMachine - is a pdf writer that produces quality PDF files with ease!

Get yours now!

"Thank you very much! I can use Acrobat Distiller or the Acrobat PDFWriter but I consider your product a lot easier to use and much preferable to Adobe's" A.Sarras - USA