

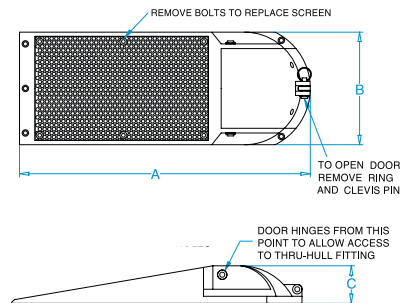
HULL STRAINERS WITH ACCESS DOORS

U.S. PATENT NO. 6,009,823

THE CONCEPT

Access to the thru-hull fitting and seacock beneath GROCO® hull strainers is made easy with the patented access door design. Now there is no need to remove the entire strainer to clear nuisance marine growth.

APHS SERIES - PERFORATED HULL STRAINER

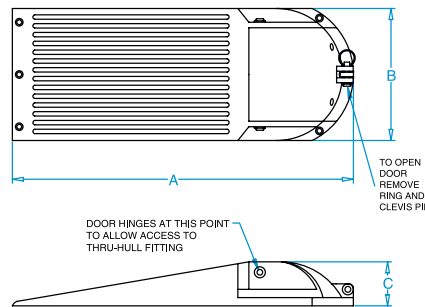


Aluminum models may be welded or screwed to aluminum hulls.

MODEL PERF DIA. .077"	MODEL PERF DIA. .125"	MODEL PERF DIA. .188"	MAX T-HULL	A	B	C	SCREWS	PKG	Ratio of Open Area to Pipe Size									
									1/2"	3/4"	1"	1-1/4"	1-1/2"	2"	2-1/2"	3"	4"	
APHS-1250-1	APHS-1250-2	APHS-1250-3	1-1/4"	7.00	3.38	1.50	4 #10	4	18.1	8.1	4.5	2.9	-	-	-	-	-	
APHS-2000-1	APHS-2000-2	APHS-2000-3	2"	10.25	4.38	1.63	5 #10	4	51.2	22.8	12.8	8.2	5.7	3.2	-	-	-	
APHS-3000-1	APHS-3000-2	APHS-3000-3	3"	15.38	6.00	2.00	5 #10	2	119.3	53.0	29.8	19.1	13.3	7.5	4.7	3.3	-	
APHS-6000-1	APHS-6000-2	APHS-6000-2	4"	20.25	11.00	4.00	9 #12	2	288.8	128.3	367.8	46.2	32.1	18.1	11.6	8.0	4.5	

Dimensions and ratios for aluminum models are identical to bronze models. Add suffix AL for aluminum models, i.e., APHS-1250-(X) AL (X = Perf Designator).

ASC SERIES - SLOTTED HULL STRAINER

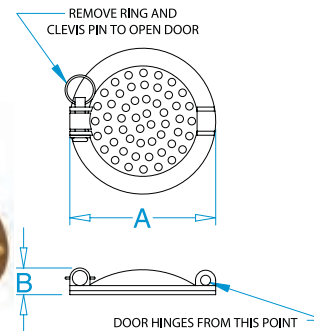


Aluminum models may be welded or screwed to aluminum hulls.

BRONZE MODEL	ALUMINUM MODEL	MAX T-HULL	A	B	C	SCREWS	PKG	Ratio of Open Area to Pipe Size									
								1/2"	3/4"	1"	1-1/4"	1-1/2"	2"	2-1/2"	3"	4"	
ASC-1250	ASC-1250-AL	1-1/4"	7.00	3.38	1.50	4 #10	4	26.5	11.8	6.6	4.3	-	-	-	-	-	
ASC-2000	ASC-2000-AL	2"	10.25	4.38	1.63	5 #10	4	61.1	27.2	15.3	9.8	6.8	3.8	-	-	-	
ASC-3000	ASC-3000-AL	3"	15.38	6.00	2.00	5 #10	2	129.1	57.4	32.3	20.7	14.4	8.1	5.2	3.6	-	
ASC-6000	ASC-6000-AL	4"	20.25	11.00	4.00	9 #12	2	324.5	144.2	81.1	51.9	36.1	20.3	13.0	9.0	5.1	

Dimensions and ratios for aluminum models are identical to bronze models. Add suffix -AL for aluminum models.

RSC SERIES - ROUND HULL STRAINER



Aluminum models may be welded or screwed to aluminum hulls.

BRONZE MODEL	ALUMINUM MODEL	MAX T-HULL	A	B	C	SCREWS	PKG	Ratio of Open Area to Pipe Size									
								1/2"	3/4"	1"	1-1/4"	1-1/2"	2"	2-1/2"	3"	4"	
RSC-1000	RSC-1000 AL	1"	3.63	0.56	-	4 #10	4	5.8	2.6	1.4	-	-	-	-	-	-	
RSC-2000	RSC-2000 AL	2"	5.20	0.83	-	4 #10	4	15.0	6.7	3.8	2.4	1.7	0.9	-	-	-	
RSC-2500-L		2.5"	5.60	1.00	-	6 #10	4	161:1	10.6:1	6.0:1	3.8:1	2.6:1	-	-	-	-	
RSC-4000	RSC-4000 AL	4"	9.00	1.30	-	4 #10	2	46.7	20.8	11.7	7.5	5.2	2.9	1.9	1.3	0.7	

Dimensions and ratios for aluminum models are identical to bronze models. Add suffix -AL for aluminum models. RSC-2500-L does not have an access door.