

POSITIVE DISPLACEMENT PUMPS GPB SERIES and SPO SERIES



GROCO® Vane Pumps are self-priming, are instantly reversible, and are capable of operation in either direction. Relatively high flow (more than gear pumps) makes them suitable for general purpose duties such as deck-wash, bilge pumping (filtered inlet), fuel transfer, ballast transfer, and oil change. All models have an ignition protected motor, #316 stainless steel shaft, and are available in models that provide reversing (R), remote reversing (RR), and reversing with touchpad (RT) control options. SPO-80 Series Vane Pumps have a more powerful motor and are better suited for long run-time or head pressure greater than 20 PSI.



**SPO-60-N
SPO-80-N**



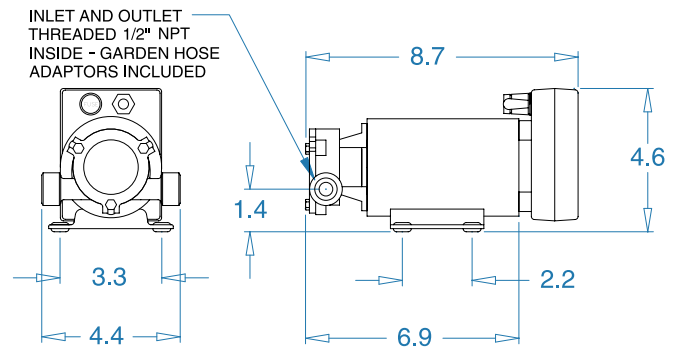
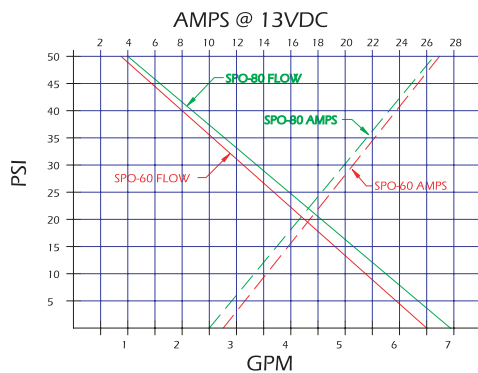
**SPO-60-R
SPO-80-R**



**SPO-60-RR
SPO-80-RR**



**SPO-60-RT
SPO-80-RT**



GROCO® Gear Pumps are self-priming, are instantly reversible, and are capable of operation in either direction. Relatively low flow (less than vane pumps) makes them suitable for duties such as deck-wash, fuel transfer, ballast transfer, and oil change. All models have an ignition protected motor, #316 stainless steel shaft, and are available in models that provide reversing (R), remote reversing (RR), and reversing with touchpad (RT) control options.



GPB-1



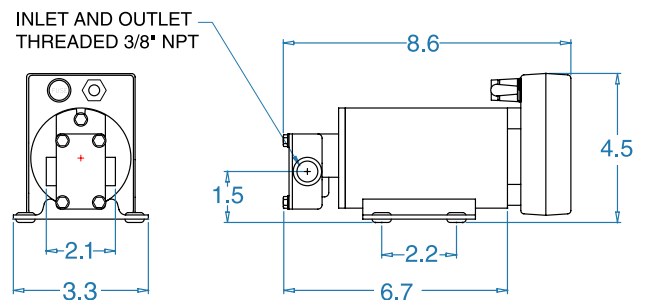
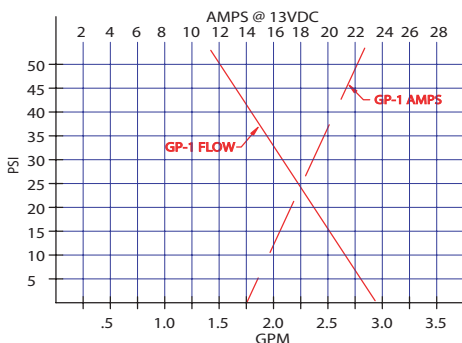
GPBR-1



GPRR-1



GPBRT-1



MODEL	SELF-PRIMING	PORTS	CONTROL TYPE INCLUDED
SPO-N	Yes	1/2" NPT + GH Adaptors	None
SPO-R	Yes	1/2" NPT + GH Adaptors	Pump Mounted Reversing Switch
SPO-RR	Yes	1/2" NPT + GH Adaptors	Remote Momentary Reversing Rocker Switch
SPO-RT	Yes	1/2" NPT + GH Adaptors	Pump Mounted Touch Pad
GPB-1	Yes	3/8" NPT	None
GPBR-1	Yes	3/8" NPT	Pump Mounted Reversing Switch
GPRR-1	Yes	3/8" NPT	Remote Momentary Reversing Rocker Switch
GPBRT-1	Yes	3/8" NPT	Pump Mounted Touch Pad