



**MAKO 1 DIAPHRAGM PUMP**

**General remarks**

- Diaphragm pump
- Self-priming
- Continuous duty

**Performances**

- Delivery: 9 GPM
- Suction lift: 9 ft.
- Discharge: 15 ft.

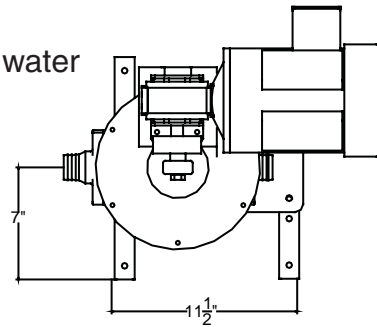


**Use**

- General transfer application
- Bilge pump
- All kind of rubbish until 10mm
- Seawater, Fresh water, gray water, black water

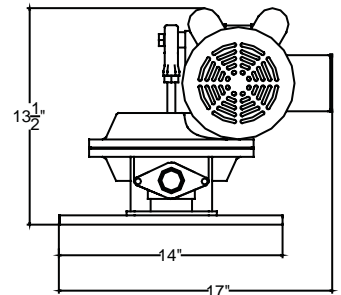
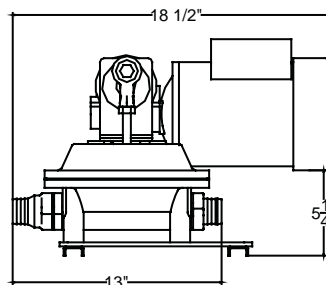
**Materials**

- Body: Aluminum alloy
- Diaphragms: Neoprene
- Valves: Neoprene
- Nuts and Bolts: Stainless steel



**Mechanical Specifications**

- Length: 17 inches
- Width: 18 1/2 inches
- Height: 13 1/2 inches
- Inlet and outlet connection: 1 1/2 inch hose



VOLTAGE	12V	24V	110/220V	115/230V	208V 3 PHASE	208-220/380V 3 PHASE
RPM:	1800	1800	1425	1725	1725	1425
HP:	1/2	1/2	1/2	1/2	1/2	1/2
FREQUENCY:	DC	DC	50Hz	60Hz	60Hz	50Hz
AMPS:	40	20	8.2/4.1	8.8/4.4	1.8/0.9	2.0/1.2
WEIGHT:	53LBS	53LBS	53LBS	46LBS	46LBS	46LBS

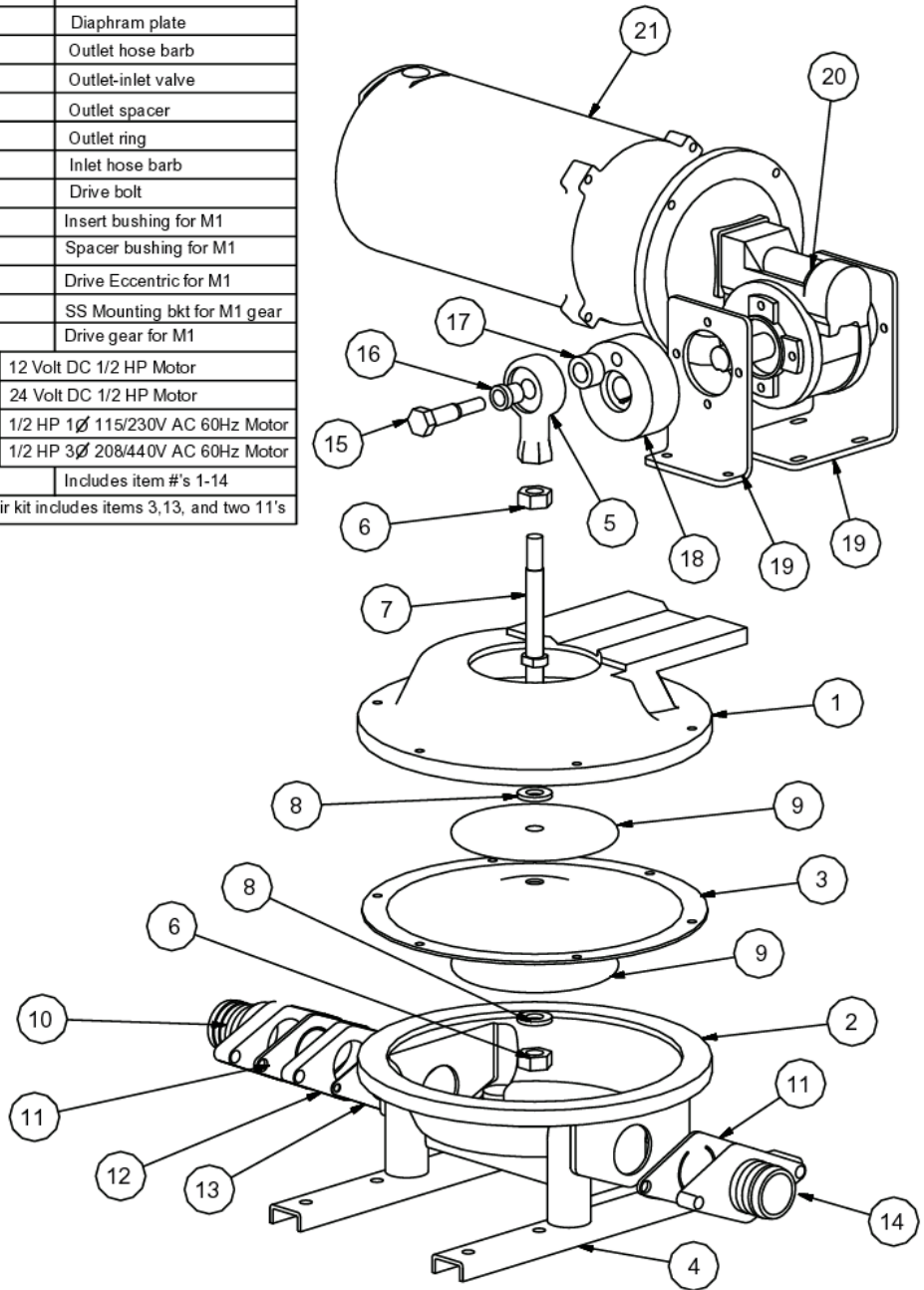
Parts List																																																
ITEM	Q	PART NUMBER	DESCRIPTION																																													
1	1	M1-UPPER PUMP BODY	Head of body																																													
2	1	M1-LOWER PUMP BODY	Base of pump																																													
3	1	M1-DIAPHRAM	Diaphragm																																													
4	2	M1-MOUNT	Foot mount																																													
5	1	M1-5	Small rod																																													
6	2	M1-6	Retaining nut																																													
7	1	M1-7	Shaft arm																																													
8	2	M1-8	Washer																																													
9	2	M1-9	Diaphragm plate																																													
10	1	M1-10	Outlet hose barb																																													
11	2	M1-11	Outlet-inlet valve																																													
12	1	M1-12	Outlet spacer																																													
13	1	M1-13	Outlet ring																																													
14	1	M1-14	Inlet hose barb	15	1	M1-BOLT-14-65	Drive bolt	16	1	M1-BUSHING	Insert bushing for M1	17	1	M1-SPACER	Spacer bushing for M1	18	1	M1-ECCENTRIC	Drive Eccentric for M1	19	1	M1-GEAR-BKT	SS Mounting bkt for M1 gear	20	1	M1-GEAR	Drive gear for M1	21	1	M1-21-12	12 Volt DC 1/2 HP Motor	1	M1-21-24	24 Volt DC 1/2 HP Motor	1	M1-21-1PAC	1/2 HP 1 $\phi$ 115/230V AC 60Hz Motor	1	M1-21-3PAC	1/2 HP 3 $\phi$ 208/440V AC 60Hz Motor	22	1	M1-PUMPBODY	Includes item #'s 1-14	23	1	M1-KIT	Repair kit includes items 3,13, and two 11's
15	1	M1-BOLT-14-65	Drive bolt																																													
16	1	M1-BUSHING	Insert bushing for M1																																													
17	1	M1-SPACER	Spacer bushing for M1																																													
18	1	M1-ECCENTRIC	Drive Eccentric for M1																																													
19	1	M1-GEAR-BKT	SS Mounting bkt for M1 gear																																													
20	1	M1-GEAR	Drive gear for M1																																													
21	1	M1-21-12	12 Volt DC 1/2 HP Motor																																													
	1	M1-21-24	24 Volt DC 1/2 HP Motor																																													
	1	M1-21-1PAC	1/2 HP 1 $\phi$ 115/230V AC 60Hz Motor																																													
	1	M1-21-3PAC	1/2 HP 3 $\phi$ 208/440V AC 60Hz Motor																																													
22	1	M1-PUMPBODY	Includes item #'s 1-14																																													
23	1	M1-KIT	Repair kit includes items 3,13, and two 11's																																													

# HEADHUNTER

3380 SW 11th Ave.  
Fort Lauderdale, FL 33315  
Tel954-581-6996 Fax954-587-0403

## M1 Diaphragm Pump

drawn by: case crowther



### Recommended Set-up

