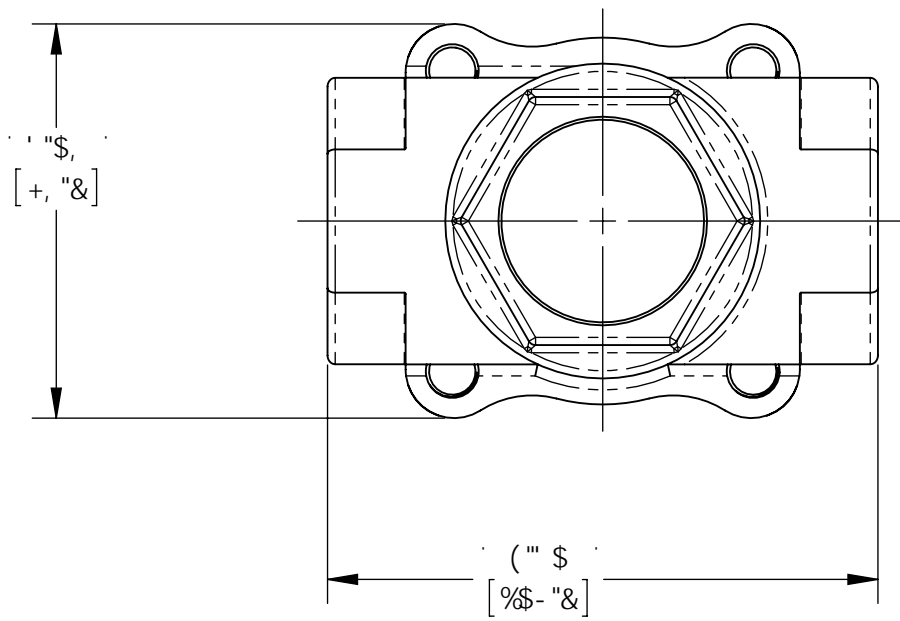
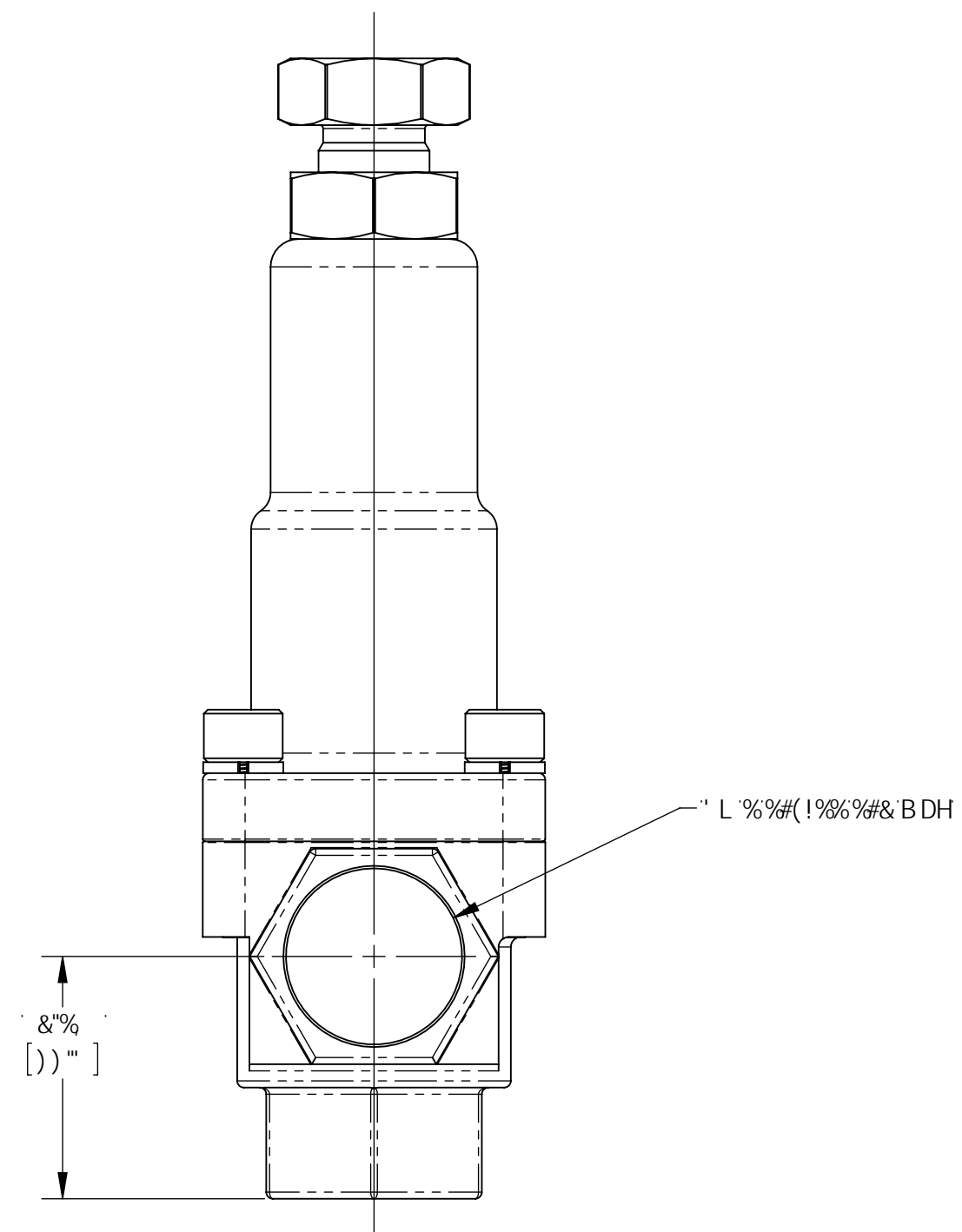
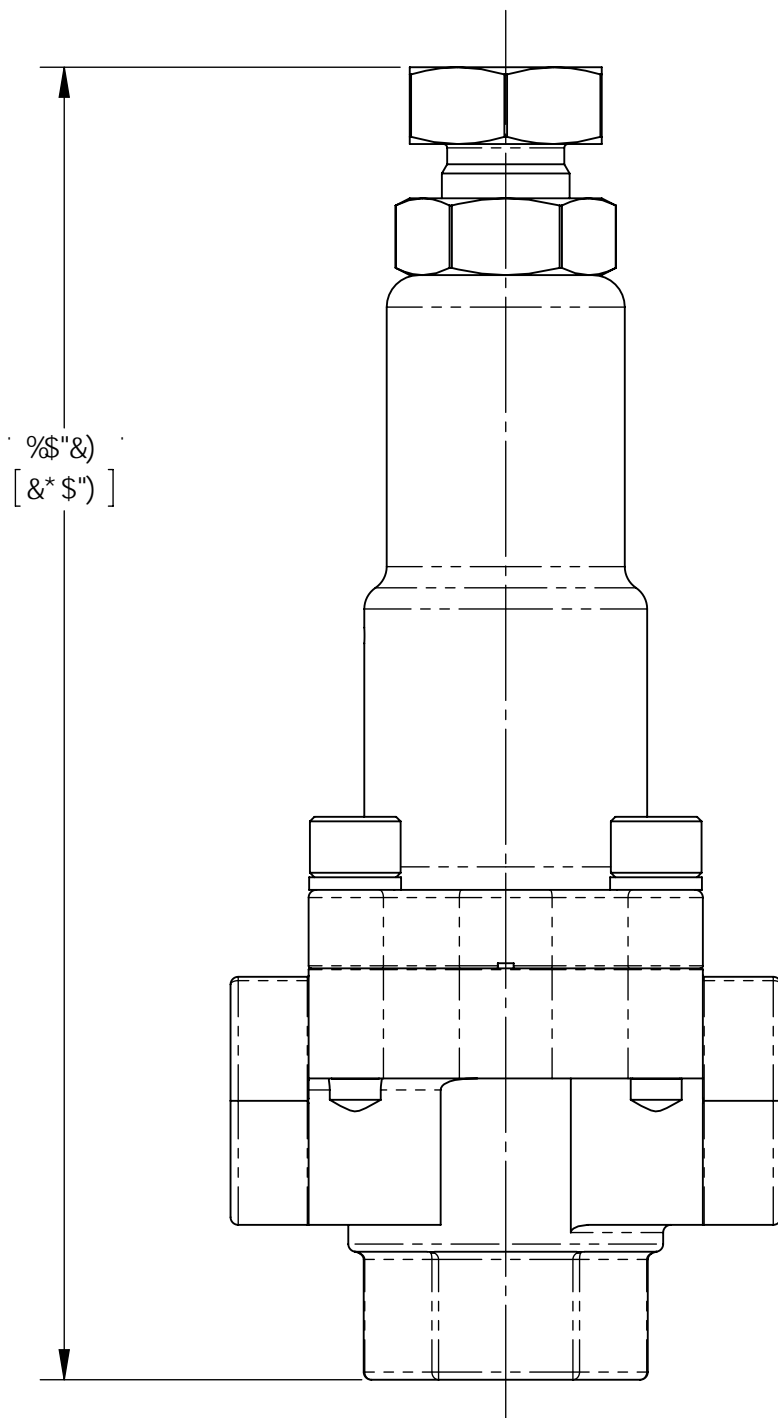


8K: BC
7*(

F9J-GC BG				
F9J	89G7 F-DHC B	85H9	97 C	8K B



DFC DF 9B5FMQ5HA 9BH H: 68C 71A 98H7C8H6 BG 7 C B: 89B H6 @5B8 DFC DF 9B5FMQ: CFA 5HC B 5B8: 6BC H6: 69 F9DFC 81 798 C F H: 9 4: CFA 5HC B 7 C B H6: 89B H: 99B 8 67 @C 99B: H C H: 9FGK H: C1 H7 C B 99B H 8 K F 4B: 2: FCA K 5BB 9F 9B: 8 99F B: 2 8 7	I B @9GC H: 9FK @9 GD97 ± 98. 18 A 9BGC BG5F9 B @B7 < 9G 18 H9DF 9H9F5K @B: D9F 5GA 9M() H&S\$- 18 A 9BGC B C5F95: H9F D85HB: 27 C 5HB: 5B8 < 95 H9F 95HB: 261 H69 C F9D5 BHB: IF9A C J 95 @61 FFG5B8 G<5FD7 C FB 9FG	HC @9F5B7 9G " L 1' ± "% " LL 1' ± "% \$& " LLL 1' ± "% \$ \$ 5B: @9G1 ± "% " B < . "%/	A 5H@ 8K B ! ! # ! # ! LLL 7 < ? # B	K 5BB 9F '9B; B 99F B; B 7 <small>[%\$ (7 < 9GB1 H5J 9A BB95DC @GA B)] (S'</small>	GAP 7
			H: F8 5B: @ DFC >97 HC B	H H @ K 9! G U f h 5 g g Y a V m H y a d U H Y	8K: BC
			BC B C H G 7 5 @ 8 F 5 K B: G < 99 H % C: %	7*(F9J %
			G7 5 @ 9 & ' : C F A : 7 6 @		