

## PI00 Pump Series

Capacities to 26.5 GPH - Rated to 1500 PSI

### Electronic Precision Metering

- Designed to handle a wide range of fluids from clear water to thick slurries
- Electronic flow control increases accuracy and reliability
- Smaller footprint saves valuable space
- One pump covers a wide range of flows and pressures - reducing inventory requirements with fast, simple field conversion
- Duplexing option doubles capacity and equipment savings
- Hydraulically-actuated, balanced diaphragms provide superior performance across entire pressure range
- Rugged construction with a variety of affordable choices for liquid end, diaphragm and check valve materials



Hydra-Cell Metering Solutions meet or exceed API 675 performance standards for Steady-State Accuracy ( $\pm 1\%$ ), Linearity ( $\pm 3\%$ ), and Repeatability ( $\pm 3\%$ ).

### Performance\*

#### GPH Maximum Flow at Designated Pressure

GPH All Pumps		GPH Metallic Pump Heads Only			Pump RPM	Gear Ratio	Motor RPM
100 PSI	250 PSI	500 PSI	1000 PSI	1500 PSI			
0.66	0.57	0.51	0.32	**	18	100:1	
0.82	0.73	0.67	0.48	**	22.5	80:1	
1.10	1.01	0.93	0.73	**	30	60:1	
1.32	1.22	1.14	0.94	**	36	50:1	
1.65	1.55	1.46	1.25	0.35	45	40:1	
2.20	2.10	2.00	1.76	0.85	60	30:1	1800
2.64	2.53	2.42	2.17	1.26	72	25:1	
3.31	3.18	3.06	2.79	1.86	90	20:1	
4.41	4.27	4.13	3.82	2.87	120	15:1	
6.62	6.45	6.26	5.87	4.88	180	10:1	
8.83	8.63	8.39	7.93	6.89	240	7.5:1	
13.20	12.98	12.64	12.04	10.92	360	5:1	
17.66	17.33	16.90	16.16	14.94	480	7.5:1	3600
26.50	26.04	25.42	24.38	22.99	720	5:1	

\* Capacity data is shown for pumps with elastomeric diaphragms. Consult factory for performance characteristics of pumps with PTFE diaphragms.

\*\* Consult factory for performance specifications.

#### Required Motor HP

1/4    1/2    3/4

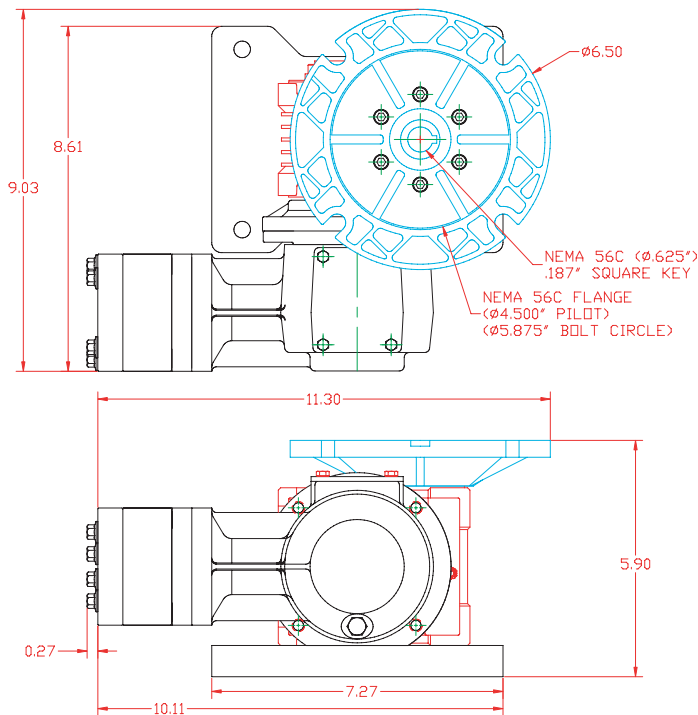
# PI00 Pump Series

## Pump Data

Diaphragms per Liquid End	1
Flow Control	Electronic variable speed drive
Maximum Discharge Pressure	
Metallic Head:	1500 PSI (103 bar)
Non-Metallic Head:	Polypropylene- 250 PSI (17 bar) Kynar- 350 PSI (24 bar)
Maximum Suction Pressure	250 PSI (17 bar)
Maximum Temperature	
Metallic Head:	250°F (121°C)*
Non-Metallic Head:	140°F (60°C)
Suction Port	1/2 inch NPT or BSPT
Discharge Port	3/8 inch NPT or BSPT
Weight (less motor)	
Metallic Head:	18.5 lbs (8.4 kg)
Non-Metallic Head:	16.4 lbs (7.4 kg)
Dimensions (less motor)	
Metallic Head:	9.07" W x 11.57" D x 5.9" H (230 mm W x 294 mm D x 150 mm H)
Non-Metallic Head:	9.07" W x 11.82" D x 5.9" H (230 mm W x 300 mm D x 150 mm H)

\*Consult factory for correct component selection for fluid temperatures above 160°F (71°C).

## Representative Dimensional Drawings



Hydra-Cell Metering Solutions pump systems are available with back pressure and relief valves, calibration cylinders, pulsation dampeners, manifolds and flanges, suction accumulators, custom controllers, strainers, a variety of actuating oils, witnessed and non-witnessed testing, drawing packages, and OEM paint and nameplate customization.

## Pump Ordering Information

A complete pump order number contains 13 digits based on the specified pump materials listed below. Contact your Hydra-Cell sales representative for accompanying motor drive options.

1	2	3	4	5	6	7	8	9	10	11	12	13
P	I	0	0									

### Pump Model Size (Digits 1-4)

**PI00** For all PI00 Pumps

### Pump Version (Digit 5)

**N** NPT Ports  
**M** BSPT Ports

### Pump Head Material (Digit 6)

**M** Kynar®  
**P** Polypropylene  
**S** 316 Stainless Steel  
**T** Hastelloy®C

### Diaphragm & O-ring Material (Digit 7)\*

**E** EPDM  
**G** Viton®-XT  
**J** PTFE  
**P** Neoprene  
**T** Buna-N-XS

\* See price list for different actuating oils available with these materials.

### Check Valve Material (Digits 8-9)

#### (Valve Spring / Valve & Seat)

**SS** 316 SST / 316 SST  
**TT** Hastelloy®C / Hastelloy®C  
**SC** 316 SST / Ceramic  
**TC** Hastelloy®C / Ceramic

### Gearbox Ratio (Digits 10-12)

<b>100</b>	100:1	(56C Motor Frame)
<b>080</b>	80:1	(56C Motor Frame)
<b>060</b>	60:1	(56C Motor Frame)
<b>050</b>	50:1	(56C Motor Frame)
<b>040</b>	40:1	(56C Motor Frame)
<b>030</b>	30:1	(56C Motor Frame)
<b>025</b>	25:1	(56C Motor Frame)
<b>020</b>	20:1	(56C Motor Frame)
<b>015</b>	15:1	(56C Motor Frame)
<b>010</b>	10:1	(56C Motor Frame)
<b>007</b>	7.5:1	(56C Motor Frame)
<b>005</b>	5:1	(56C Motor Frame)

### Base Plate (Digit 13)

**A** Carbon Steel (Epoxy painted)

For information on the complete line of Hydra-Cell Metering Solutions pumps, contact us today.



1204 Chestnut Avenue • Minneapolis, MN 55403 USA

Phone: 612-332-5681 • Fax: 612-332-6937

Toll-Free Fax (USA): 800-332-6812

Email: sales@wannereng.com • www.Hydra-Cell.com/metering