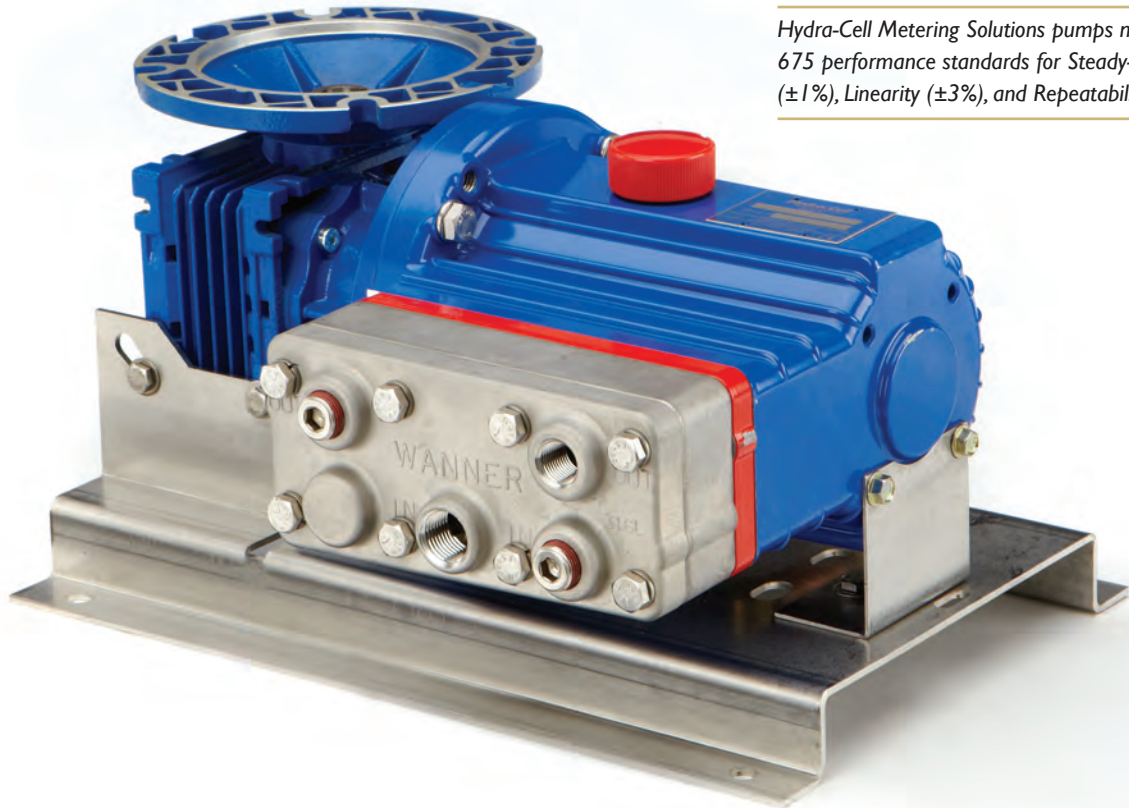


Hydra•Cell[®]

METERING SOLUTIONS™

Electronic Precision Metering Pumps



Hydra-Cell Metering Solutions pumps meet or exceed API 675 performance standards for Steady-state Accuracy ($\pm 1\%$), Linearity ($\pm 3\%$), and Repeatability ($\pm 3\%$).

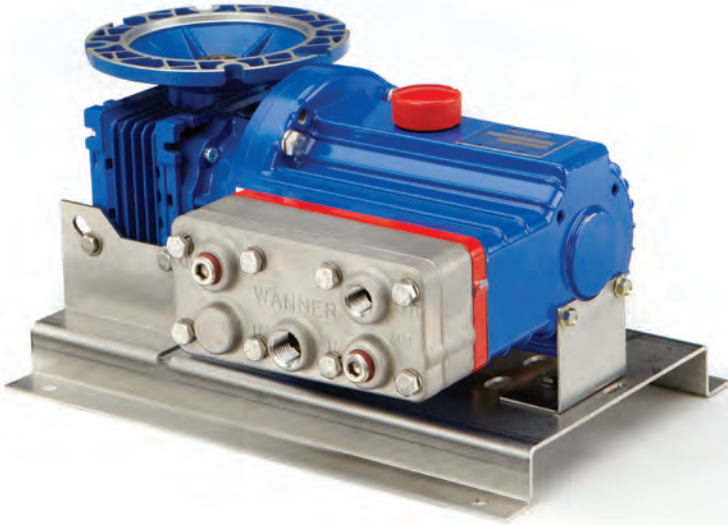
P200 Series

- Designed to handle a wide range of fluids from clear water to thick slurries.
- Electronic flow control increases accuracy and reliability.
- Multiple-diaphragm design provides linear, virtually pulse-less flow.
- Smaller footprint saves valuable space.
- One pump covers a wide range of flows and pressures - reducing inventory requirements with fast, simple field conversion.
- Duplexing option doubles capacity and equipment savings.
- Hydraulically-actuated, balanced diaphragms provide superior performance across entire pressure range.

P200 Series

Maximum Flow Rate: 80.8 gph

Maximum Pressure: 1000 psi for Metallic Pump Heads
350 psi for Non-metallic Pump Heads



P200 with Stainless Steel pump head



P200 with Polypropylene pump head.

Performance* Maximum Flow at Designated Pressure

All Pumps (gph)		Metallic Pump Heads Only (gph)		Pump rpm	Gear Ratio	Motor rpm	
100 psi	250 psi	500 psi	1000 psi				
1.70	1.60	1.40	0.90	18	100:1	1800	
2.21	2.10	1.90	1.38	22.5	80:1		
3.05	2.94	2.73	2.18	30	60:1		
3.73	3.62	3.39	2.81	36	50:1		
4.74	4.62	4.39	3.77	45	40:1		
6.43	6.30	6.05	5.36	60	30:1		
7.78	7.65	7.38	6.64	72	25:1		
9.81	9.67	9.37	8.55	90	20:1		
13.18	13.03	12.69	11.74	120	15:1		
19.94	19.75	19.34	18.12	180	10:1		
26.69	26.47	25.98	24.50	240	7.5:1		
40.20	39.92	39.26	37.25	360	5:1		
53.71	53.36	52.55	50.00	480	7.5:1		3600
80.72	80.25	79.11	75.51	720	5:1		

* Capacity data is shown for pumps with elastomeric diaphragms. Consult factory for performance characteristics of pumps with PTFE diaphragms.

Required Motor hp

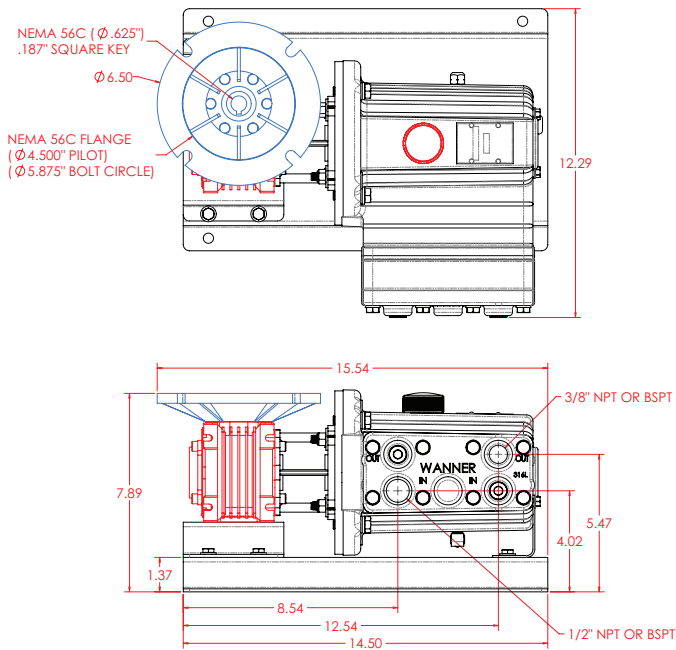
1/4	1/2	3/4	1
-----	-----	-----	---

Pump Data

Diaphragms per Liquid End	3
Flow Control	Electronic variable speed drive
Maximum Discharge Pressure	
Metallic Heads:	1000 psi (69 bar)
Non-metallic Heads:	PVDF- 350 psi (24 bar)
	Polypropylene- 250 psi (17 bar)
Maximum Inlet Pressure	250 psi (17 bar)
Maximum Operating Temperature	
Metallic Heads:	250 °F (121 °C)*
Non-metallic Heads:	140 °F (60 °C)
Inlet Port	1/2 inch NPT or BSPT
Discharge Port	3/8 inch NPT or BSPT
Weight (less motor)	
Metallic Heads:	39 lbs (17.7 kg)
Non-metallic Heads:	30 lbs (13.6 kg)
Dimensions (less motor)	
Metallic Heads:	15.56" W x 12.23" D x 8.06" H (395 mm W x 311 mm D x 205 mm H)
Non-metallic Heads:	15.56" W x 12.61" D x 8.06" H (395 mm W x 320 mm D x 205 mm H)

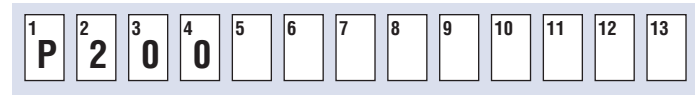
* Consult factory for correct component selection for temperatures from 160 °F (71 °C) to 250 °F (121 °C).

Representative Dimensional Drawings (Inches)



How to Order

A complete pump order number contains 13 digits based on the specified pump materials listed below.



Pump Model Size (Digits 1-4)

P200 For all P200 Pumps

Pump Version (Digit 5)

N NPT Ports
M BSPT Ports

Pump Head Material (Digit 6)

M PVDF
P Polypropylene
S 316L Stainless Steel
T Hastelloy CW12MW

Diaphragm & O-ring Material (Digit 7)▲

A Atlas (with PTFE o-rings)
M Atlas (with PTFE o-rings, FKM drive case elastomers and Mesamoll oil)
E EPDM
G FKM
J PTFE
P Neoprene
T Buna-N

▲ See price list for different actuating oils available with these materials.

Check Valve Material (Digits 8-9)

(Valve Spring / Valve & Seat)

SS 316L SST / 316L SST
TT Hastelloy C / Hastelloy C
SC 316L SST / Ceramic
TC Hastelloy C / Ceramic

Gearbox Ratio (Digits 10-12)

100 100:1 (56C Motor Frame)
080 80:1 (56C Motor Frame)
060 60:1 (56C Motor Frame)
050 50:1 (56C Motor Frame)
040 40:1 (56C Motor Frame)
030 30:1 (56C Motor Frame)
025 25:1 (56C Motor Frame)
020 20:1 (56C Motor Frame)
015 15:1 (56C Motor Frame)
010 10:1 (56C Motor Frame)
007 7.5:1 (56C Motor Frame)
005 5:1 (56C Motor Frame)

Base Plate (Digit 13)

C Carbon Steel (Epoxy painted)
S Stainless Steel

Hydra•Cell[®]

METERING SOLUTIONS™

Wanner Engineering, Inc.

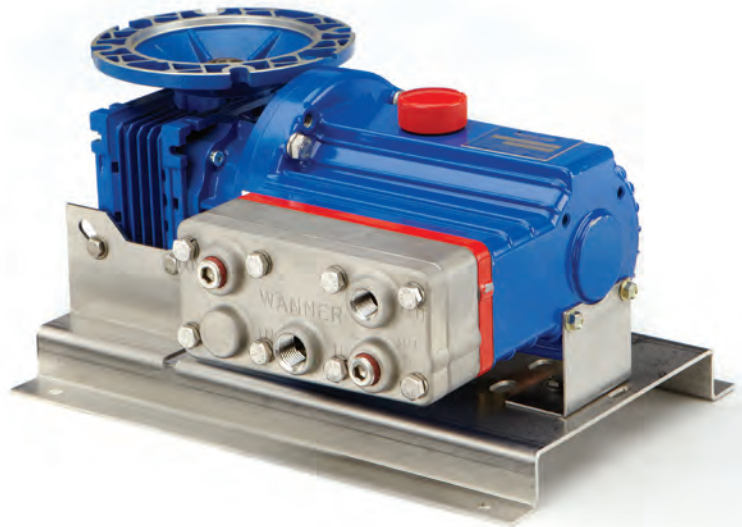
World Headquarters & Manufacturing

Wanner Engineering, Inc.
1204 Chestnut Avenue,
Minneapolis, MN 55403 USA
Phone: 612-332-5681 • Fax: 612-332-6937
Toll-Free Fax (USA): 800-332-6812
Email: sales@wannereng.com
www.Hydra-Cell.com

207 US Highway 281
Wichita Falls, TX 76310 USA
Phone: 940-322-7111
Toll-Free: 800-234-1384
Email: sales@wannereng.com
www.Hydra-Cell.com

Latin American Office

R. Álvaro Anes, 150 Bairro Campestre
Santo André/São Paulo, Brazil - CEP 09070-030
Phone: (11) 4081-7098
Email: mmagoni@wannereng.com
www.Hydra-Cell.com



Wanner International Ltd.

Wanner International, Ltd.
Hampshire - United Kingdom
Phone: +44 (0) 1252 816847
Email: sales@wannerint.com
www.Hydra-Cell.eu

Wanner Pumps Ltd.

Wanner Pumps, Ltd.
Kowloon - Hong Kong
Phone: +852 3428 6534
Email: sales@wannerpumps.com
www.WannerPumps.com

Shanghai - China
Phone: +86-21-6876 3700
Email: sales@wannerpumps.com
www.WannerPumps.com

Guangzhou - China
Phone: +86-20-8920 2730
Email: sales@wannerpumps.com
www.WannerPumps.com

