

Spare Parts List

7 Size Pumps

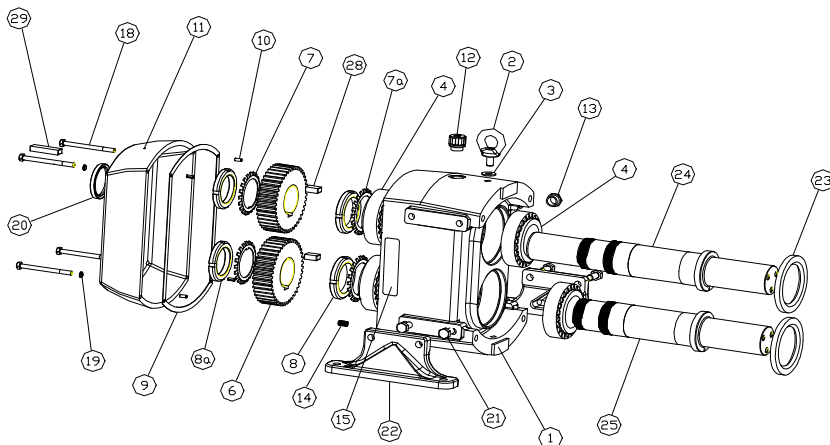
Hy~Line



Contents

| | | |
|---------|---|---------------------------------------|
| Page 1 | - | Gearbox & Bearing Housing |
| Page 2 | - | Wet End - Rotor Case & Rotors |
| Page 9 | | |
| Page 10 | - | Single Mechanical Seal |
| Page 11 | - | Flush For Single Mechanical Seal |
| Page 12 | - | Double Mechanical Seal Conversion Kit |
| Page 13 | - | Single O-Ring Seal |
| Page 14 | - | Double O-Ring Seal |
| Page 15 | - | Relief Valves |
| Page 16 | - | Thermal Jackets |
| Page 17 | - | Tools |

7 Size Pumps

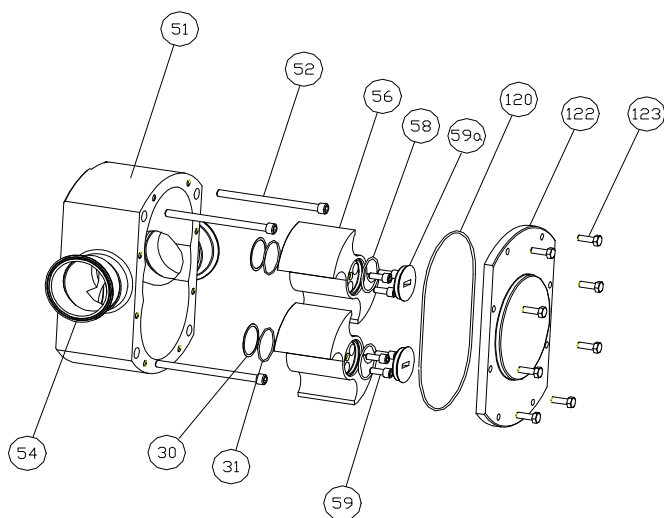
Gearbox &
Bearing Housing

| Key No. | Description | Where used | Part No. | Qty Req. |
|---------|--------------------------------------------------------------------------|-------------------------------|----------------------------------------|----------|
| 1 | Bearing carrier Housing - Cast Iron | 72, 74 & 76 | 54705-0001 | 1 |
| 2 | Eye Bolt | 72, 74 & 76 | SP7040-0012 | 1 |
| 3 | Washer - Eye Bolt | 72, 74 & 76 | X5268-002 | 1 |
| 4 | Bearing | 72, 74 & 76 | 92601-6003 | 4 |
| 6 | Timing Gear Set (2 gears per set) | 72, 74 & 76 | 54708-0000 | 1 |
| 7 | Tab Washer - Gear Nut | 72, 74 & 76 | 91602-6003 | 2 |
| 7a | Tab Washer - Bearing Nut | 72, 74 & 77 | 91602-6002 | 2 |
| 8 | Bearing Nut | 72, 74 & 76 | 91085-6003 | 2 |
| 8a | Gear Nut | 72, 74 & 76 | 91085-6004 | 2 |
| 9 | Gasket Gear Cover | 72, 74 & 76 | 54707-0001 | 1 |
| 10 | Roll Pin - Bearing Carrier Housing | 72, 74 & 76 | SP3100-0225 | 4 |
| 11 | Gear Cover - Cast Iron | 72, 74 & 76 | 54706-0001 | 1 |
| 12 | Plug - Oil Filler/Breather | 72, 74 & 76 | 24020-0002 | 1 |
| 13 | Oil Level Window | 72, 74 & 76 | SP8022-2248 | 1 |
| 14 | Drain Plug | 72, 74 & 76 | SP2650-0220 | 1 |
| 15 | Label - Hy~Line | 72, 74 & 76 | 23005-1820 | 1 |
| 16 | Label - Rotary Lobe Pump (not shown) | 72, 74 & 76 | 23005-1822 | 1 |
| 18 | Screw - Gear Cover | 72, 74 & 76 | X3000-229F | 4 |
| 19 | Washer (Nylite) - Gear Cover | 72, 74 & 76 | SP1613-1390 | 4 |
| 20 | Lip Seal - Rear Gear Cover | 72, 74 & 76 | SP2701-0901 | 1 |
| 21 | Screws - Foot Mounting | 72, 74 & 76 | X3001-278F | 4 |
| 22 | Foot - Vertical Ports (Cast Iron) Foot - Horizontal Ports (Cast Iron) | 72, 74 & 76 | 54719-0000 54718-0000 | 2 |
| 23 | Lip Seal - Front Bearing Carrier Housing | 72, 74 & 76 | 92701-6005 | 2 |
| 24 | Shaft - Driving | 72 Size 74 Size 76 Size | 54727-0000 54747-0000 54767-0000 | 1 |
| 25 | Shaft - Driven | 72 Size 74 Size 76 Size | 54728-0000 54748-0000 54768-0000 | 1 |
| 28 | Key - Timing Gear Drive | 72, 74 & 76 | X4000-557B | 2 |
| 29 | Key - Drive Shaft | 72, 74 & 76 | X4000-631A | 1 |

| | | | | |
|--|------------------------------------------------------------------------------------------------------------------------------------------------------------------------------------------|-------------|-------------|---|
| | Gearbox Service Kit Consists of: 2 x Front Oil Seal for bearing housing 2 x Rear Oil Seal for gear cover 1 x Gasket - Gear cover 2 x Washer for sealing gear cover screws | 72, 74 & 76 | 54785-0000B | 1 |
|--|------------------------------------------------------------------------------------------------------------------------------------------------------------------------------------------|-------------|-------------|---|

7 Size Pumps

Wet End Rotor Case & Rotors



| Key No. | Description | Where used | Part No. | Qty Req. | |
|---------|--------------------------------------------------------------------------------------------------------------------------|-------------------------------|----------------------------------------|----------|--|
| 30 | Shim Kit - Rotor Clearance | 72, 74 & 76 | 54786-0000B | 1 | |
| 31 | O-Ring - Shim Retention - Nitrile | 72, 74 & 76 | X1990-118 | 2 | |
| 51 | Rotor Case with welded ports & :- All Mech Seals - Tri - Clamp (BS4825 part 3) - Standard Standard Machined Finish | 72 Size 74 Size 76 Size | 54723-1300 54743-1400 54763-1550 | 1 | |
| | Electro-Polish Finish | 72 Size 74 Size 76 Size | 54723-1390 54743-1440 54763-1559 | | |
| | 0.5 Micron & Electro-Polish Finish | 72 Size 74 Size 76 Size | 54723-1310 54743-1410 54763-1551 | | |
| | All Mech Seals - Tri - Clamp (BS4825 part 3) - Enlarged Standard Machined Finish | 72 Size 74 Size 76 Size | 54723-1400 54743-1450 54763-1650 | | |
| | Electro-Polish Finish | 72 Size 74 Size 76 Size | 54723-1490 54743-1459 54743-1659 | | |
| | 0.5 Micron & Electro-Polish Finish | 72 Size 74 Size 76 Size | 54723-1410 54743-1451 54763-1651 | | |
| | All Mech Seals - Tri - Clamp (BS4825 part 3) - Reduced Standard Machined Finish | 72 Size 74 Size 76 Size | 54723-1250 54743-1300 54763-1450 | | |
| | Electro-Polish Finish | 72 Size 74 Size 76 Size | 54723-1259 54743-1390 54763-1459 | | |
| | 0.5 Micron & Electro-Polish Finish | 72 Size 74 Size 76 Size | 54723-1251 54743-1310 54763-1451 | | |
| | All Mech Seals - BSP (BS2779) - Standard Standard Machined Finish | 72 Size 74 Size 76 Size | 54723-2300 54743-2400 54763-2500 | | |
| | Electro-Polish Finish | 72 Size 74 Size 76 Size | 54723-2390 54743-2490 54763-2590 | | |

| Rotor Case | | | | | |
|-----------------------------------------------------------------------|------------------------------------------------------------------------|-----------------------|------------|------------|------------|
| 51 | All Mech Seals - BSP (BS2779) - Enlarged Standard Machined Finish | 72 Size | 54723-2400 | | |
| | | 74 Size | 54743-2500 | | |
| | | 76 Size | 54763-2600 | | |
| | | Electro-Polish Finish | | 72 Size | 54723-2490 |
| | | | | 74 Size | 54743-2590 |
| | | | | 76 Size | 54763-2690 |
| | All Mech Seals - BSP (BS2779) - Reduced Standard Machined Finish | 72 Size | 54723-2250 | | |
| | | 74 Size | 54743-2300 | | |
| | | 76 Size | 54763-2400 | | |
| | | Electro-Polish Finish | | 72 Size | 54723-2259 |
| | | | | 74 Size | 54743-2390 |
| | | | | 76 Size | 54763-2490 |
| | All Mech Seals - IDF (ISO 2853) - Standard Standard Machined Finish | 72 Size | 54723-3300 | | |
| | | 74 Size | 54743-3400 | | |
| | | 76 Size | N/A | | |
| | | Electro-Polish Finish | | 72 Size | 54723-3390 |
| | | | | 74 Size | 54743-3490 |
| | | | | 76 Size | N/A |
| | All Mech Seals - IDF (ISO 2853) - Enlarged Standard Machined Finish | 72 Size | 54723-3350 | | |
| | | 74 Size | N/A | | |
| | | 76 Size | N/A | | |
| | | Electro-Polish Finish | | 72 Size | 54723-3359 |
| | | | | 74 Size | N/A |
| | | | | 76 Size | N/A |
| All Mech Seals - IDF (ISO 2853) - Reduced Standard Machined Finish | 72 Size | 54723-3250 | | | |
| | 74 Size | 54743-3350 | | | |
| | 76 Size | 54763-3400 | | | |
| | Electro-Polish Finish | | 72 Size | 54723-3259 | |
| | | | 74 Size | 54743-3359 | |
| | | | 76 Size | N/A | |
| All Mech Seals - RJT (BS1864) - Standard Standard Machined Finish | 72 Size | 54723-4300 | | | |
| | 74 Size | 54743-4400 | | | |
| | 76 Size | N/A | | | |
| | Electro-Polish Finish | | 72 Size | 54723-4390 | |
| | | | 74 Size | 54743-4490 | |
| | | | 76 Size | N/A | |
| All Mech Seals - RJT (BS1864) - Enlarged Standard Machined Finish | 72 Size | 54723-4400 | | | |
| | 74 Size | N/A | | | |
| | 76 Size | N/A | | | |
| | Electro-Polish Finish | | 72 Size | 54723-4490 | |
| | | | 74 Size | N/A | |
| | | | 76 Size | N/A | |
| All Mech Seals - RJT (BS1864) - Reduced Standard Machined Finish | 72 Size | 54723-4250 | | | |
| | 74 Size | 54743-4300 | | | |
| | 76 Size | 54763-4400 | | | |
| | Electro-Polish Finish | | 72 Size | 54723-4259 | |
| | | | 74 Size | 54743-4390 | |
| | | | 76 Size | 54763-4490 | |

| Rotor Case | | | | |
|-------------------------------------------------------------------|--------------------------------------------------------------------------|-----------------------|------------|------------|
| 51 | All Mech Seals - 3A ACME (BS3581) - Standard Standard Machined Finish | 72 Size | 54723-5300 | |
| | | 74 Size | 54743-5400 | |
| | | 76 Size | N/A | |
| | | Electro-Polish Finish | 72 Size | 54723-5390 |
| | | | 74 Size | 54743-5490 |
| | | | 76 Size | N/A |
| | All Mech Seals - 3A ACME (BS3581) - Enlarged Standard Machined Finish | 72 Size | 54723-5400 | |
| | | 74 Size | N/A | |
| | | 76 Size | N/A | |
| | | Electro-Polish Finish | 72 Size | 54723-5490 |
| | | | 74 Size | N/A |
| | | | 76 Size | N/A |
| | All Mech Seals - 3A ACME (BS3581) - Reduced Standard Machined Finish | 72 Size | 54723-5250 | |
| | | 74 Size | 54743-5300 | |
| | | 76 Size | 54763-5400 | |
| | | Electro-Polish Finish | 72 Size | 54723-5259 |
| | | | 74 Size | 54743-5390 |
| | | | 76 Size | 54763-5490 |
| | All Mech Seals - DIN 11851 - Standard Standard Machined Finish | 72 Size | 54723-6300 | |
| | | 74 Size | 54743-6400 | |
| | | 76 Size | 54763-6500 | |
| | | Electro-Polish Finish | 72 Size | 54723-6390 |
| | | | 74 Size | 54743-6490 |
| | | | 76 Size | 54763-6590 |
| All Mech Seals - DIN 11851 - Enlarged Standard Machined Finish | 72 Size | 54723-6400 | | |
| | 74 Size | 54743-6500 | | |
| | 76 Size | 54763-6600 | | |
| | Electro-Polish Finish | 72 Size | 54723-6490 | |
| | | 74 Size | 54743-6590 | |
| | | 76 Size | 54763-6690 | |
| All Mech Seals - DIN 11851 - Reduced Standard Machined Finish | 72 Size | 54723-6250 | | |
| | 74 Size | 54743-6300 | | |
| | 76 Size | 54763-6400 | | |
| | Electro-Polish Finish | 72 Size | 54723-6259 | |
| | | 74 Size | 54743-6390 | |
| | | 76 Size | 54763-6490 | |
| All Mech Seals - SMS 1146 - Standard Standard Machined Finish | 72 Size | 54723-7300 | | |
| | 74 Size | 54743-7400 | | |
| | 76 Size | N/A | | |
| | Electro-Polish Finish | 72 Size | 54723-7390 | |
| | | 74 Size | 54743-7490 | |
| | | 76 Size | N/A | |
| All Mech Seals - SMS 1146 - Enlarged Standard Machined Finish | 72 Size | 54723-7400 | | |
| | 74 Size | N/A | | |
| | 76 Size | N/A | | |
| | Electro-Polish Finish | 72 Size | 54723-7490 | |
| | | 74 Size | N/A | |
| | | 76 Size | N/A | |

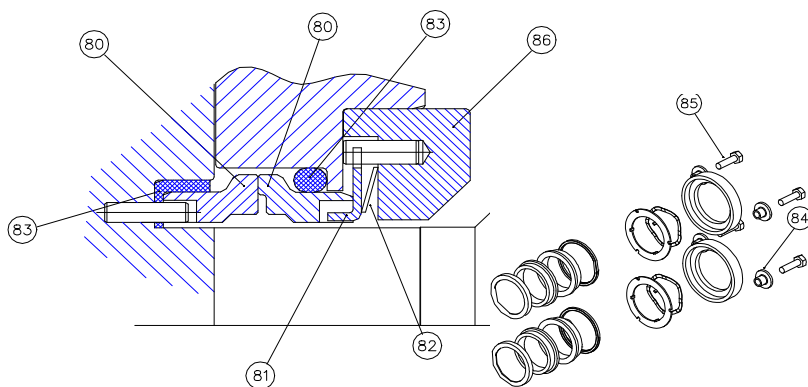
| Rotor Case | | | | |
|------------------------------------------------------------------------------------------------------|-----------------------------------------------------------------|--------------------------|------------|------------|
| 51 | All Mech Seals - SMS 1146 - Reduced Standard Machined Finish | 72 Size | 54723-7250 | |
| | | 74 Size | 54743-7350 | |
| | | 76 Size | 54763-7400 | |
| | | Electro-Polish Finish | 72 Size | 54723-7259 |
| | | | 74 Size | 54743-7359 |
| | | | 76 Size | 54763-7490 |
| | All Mech Seals - NPT - Standard Standard Machined Finish | 72 Size | 54723-9300 | |
| | | 74 Size | 54743-9400 | |
| | | 76 Size | 54763-9500 | |
| | | Electro-Polish Finish | 72 Size | 54723-9390 |
| | | | 74 Size | 54743-9490 |
| | | | 76 Size | 54763-9500 |
| | All Mech Seals - NPT - Enlarged Standard Machined Finish | 72 Size | 54723-9350 | |
| | | 74 Size | 54743-9500 | |
| | | 76 Size | 54763-9600 | |
| | | Electro-Polish Finish | 72 Size | 54723-9359 |
| | | | 74 Size | 54743-9590 |
| | | | 76 Size | 54763-9690 |
| | All Mech Seals - NPT - Reduced Standard Machined Finish | 72 Size | 54723-9250 | |
| | | 74 Size | 54743-9300 | |
| | | 76 Size | 54763-9400 | |
| | | Electro-Polish Finish | 72 Size | 54723-9259 |
| | | | 74 Size | 54743-9390 |
| | | | 76 Size | 54763-9490 |
| Rotor Case with welded ports & :- Hopper with Mech Seals - Tri - Clamp (BS4825 part 3) - Standard | Standard Machined Finish | 72 Size | 5472H-1300 | |
| | | 74 Size | 5474H-1400 | |
| | | 76 Size | 5476H-1550 | |
| | Electro-Polish Finish | 72 Size | 5472H-1390 | |
| | | 74 Size | 5474H-1440 | |
| | | 76 Size | 5476H-1559 | |
| | 0.5 Micron & Electro-Polish Finish | 72 Size | 5472H-1310 | |
| | | 74 Size | 5474H-1410 | |
| | | 76 Size | 5476H-1551 | |
| | Hopper with Mech Seals - Tri - Clamp (BS4825 part 3) - Enlarged | Standard Machined Finish | 72 Size | 5472H-1400 |
| | | | 74 Size | 5474H-1450 |
| | | | 76 Size | 5476H-1650 |
| Electro-Polish Finish | | 72 Size | 5472H-1490 | |
| | | 74 Size | 5474H-1459 | |
| | | 76 Size | 5474H-1659 | |
| 0.5 Micron & Electro-Polish Finish | | 72 Size | 5472H-1410 | |
| | | 74 Size | 5474H-1451 | |
| | | 76 Size | 5476H-1651 | |

| Rotor Case | | | | |
|--------------------------------------------------------------------------------|--------------------------------------------------------------------------------------------|------------------------------------|------------|------------|
| 51 | Hopper with Mech Seals - Tri - Clamp (BS4825 part 3) - Reduced Standard Machined Finish | 72 Size | 5472H-1250 | |
| | | 74 Size | 5474H-1300 | |
| | | 76 Size | 5476H-1450 | |
| | | Electro-Polish Finish | 72 Size | 5472H-1259 |
| | | | 74 Size | 5474H-1390 |
| | | | 76 Size | 5476H-1459 |
| | | 0.5 Micron & Electro-Polish Finish | 72 Size | 5472H-1251 |
| | | | 74 Size | 5474H-1310 |
| | | | 76 Size | 5476H-1451 |
| | Hopper with Mech Seals - BSP (BS2779) - Standard Standard Machined Finish | 72 Size | 5472H-2300 | |
| | | 74 Size | 5474H-2400 | |
| | | 76 Size | 5476H-2500 | |
| | | Electro-Polish Finish | 72 Size | 5472H-2390 |
| | | | 74 Size | 5474H-2490 |
| | | | 76 Size | 5476H-2590 |
| | Hopper with Mech Seals - BSP (BS2779) - Enlarged Standard Machined Finish | 72 Size | 5472H-2400 | |
| | | 74 Size | 5474H-2500 | |
| | | 76 Size | 5476H-2600 | |
| | | Electro-Polish Finish | 72 Size | 5472H-2490 |
| | | | 74 Size | 5474H-2590 |
| | | | 76 Size | 5476H-2690 |
| | Hopper with Mech Seals - BSP (BS2779) - Reduced Standard Machined Finish | 72 Size | 5472H-2250 | |
| | | 74 Size | 5474H-2300 | |
| | | 76 Size | 5476H-2400 | |
| Electro-Polish Finish | | 72 Size | 5472H-2259 | |
| | | 74 Size | 5474H-2390 | |
| | | 76 Size | 5476H-2490 | |
| Hopper with Mech Seals - IDF (ISO 2853) - Standard Standard Machined Finish | 72 Size | 5472H-3300 | | |
| | 74 Size | 5474H-3400 | | |
| | 76 Size | N/A | | |
| | Electro-Polish Finish | 72 Size | 5472H-3390 | |
| | | 74 Size | 5474H-3490 | |
| | | 76 Size | N/A | |
| Hopper with Mech Seals - IDF (ISO 2853) - Enlarged Standard Machined Finish | 72 Size | 5472H-3350 | | |
| | 74 Size | N/A | | |
| | 76 Size | N/A | | |
| | Electro-Polish Finish | 72 Size | 5472H-3359 | |
| | | 74 Size | N/A | |
| | | 76 Size | N/A | |
| Hopper with Mech Seals - IDF (ISO 2853) - Reduced Standard Machined Finish | 72 Size | 5472H-3250 | | |
| | 74 Size | 5474H-3350 | | |
| | 76 Size | 5476H-3400 | | |
| | Electro-Polish Finish | 72 Size | 5472H-3259 | |
| | | 74 Size | 5474H-3359 | |
| | | 76 Size | N/A | |
| Hopper with Mech Seals - RJT (BS1864) - Standard Standard Machined Finish | 72 Size | 5472H-4300 | | |
| | 74 Size | 5474H-4400 | | |
| | 76 Size | N/A | | |
| | Electro-Polish Finish | 72 Size | 5472H-4390 | |
| | | 74 Size | 5474H-4490 | |

| Rotor Case | | | | |
|---------------------------------------------------------------------------------|----------------------------------------------------------------------------------|-----------------------|------------|------------|
| 51 | Hopper with Mech Seals - RJT (BS1864) - Enlarged Standard Machined Finish | 72 Size | 5472H-4400 | |
| | | 74 Size | N/A | |
| | | 76 Size | N/A | |
| | | Electro-Polish Finish | 72 Size | 5472H-4490 |
| | | | 74 Size | N/A |
| | | | 76 Size | N/A |
| | Hopper with Mech Seals - RJT (BS1864) - Reduced Standard Machined Finish | 72 Size | 5472H-4250 | |
| | | 74 Size | 5474H-4300 | |
| | | 76 Size | 5476H-4400 | |
| | | Electro-Polish Finish | 72 Size | 5472H-4259 |
| | | | 74 Size | 5474H-4390 |
| | | | 76 Size | 5476H-4490 |
| | Hopper with Mech Seals - 3A ACME (BS3581) - Standard Standard Machined Finish | 72 Size | 5472H-5300 | |
| | | 74 Size | 5474H-5400 | |
| | | 76 Size | N/A | |
| | | Electro-Polish Finish | 72 Size | 5472H-5390 |
| | | | 74 Size | 5474H-5490 |
| | | | 76 Size | N/A |
| | Hopper with Mech Seals - 3A ACME (BS3581) - Enlarged Standard Machined Finish | 72 Size | 5472H-5400 | |
| | | 74 Size | N/A | |
| | | 76 Size | N/A | |
| | | Electro-Polish Finish | 72 Size | 5472H-5490 |
| | | | 74 Size | N/A |
| | | | 76 Size | N/A |
| Hopper with Mech Seals - 3A ACME (BS3581) - Reduced Standard Machined Finish | 72 Size | 5472H-5250 | | |
| | 74 Size | 5474H-5300 | | |
| | 76 Size | 5476H-5400 | | |
| | Electro-Polish Finish | 72 Size | 5472H-5259 | |
| | | 74 Size | 5474H-5390 | |
| | | 76 Size | 5476H-5490 | |
| Hopper with Mech Seals - DIN 11851 - Standard Standard Machined Finish | 72 Size | 5472H-6300 | | |
| | 74 Size | 5474H-6400 | | |
| | 76 Size | 5476H-6500 | | |
| | Electro-Polish Finish | 72 Size | 5472H-6390 | |
| | | 74 Size | 5474H-6490 | |
| | | 76 Size | 5476H-6590 | |
| Hopper with Mech Seals - DIN 11851 - Enlarged Standard Machined Finish | 72 Size | 5472H-6400 | | |
| | 74 Size | 5474H-6500 | | |
| | 76 Size | 5476H-6600 | | |
| | Electro-Polish Finish | 72 Size | 5472H-6490 | |
| | | 74 Size | 5474H-6590 | |
| | | 76 Size | 5476H-6690 | |
| Hopper with Mech Seals - DIN 11851 - Reduced Standard Machined Finish | 72 Size | 5472H-6250 | | |
| | 74 Size | 5474H-6300 | | |
| | 76 Size | 5476H-6400 | | |
| | Electro-Polish Finish | 72 Size | 5472H-6259 | |
| | | 74 Size | 5474H-6390 | |
| | | 76 Size | 5476H-6490 | |

Rotor Case

| | | | | |
|---------------------------------------------------------------------|--------------------------------------------------------------------------|-----------------------|------------|------------|
| 51 | Hopper with Mech Seals - SMS 1146 - Standard Standard Machined Finish | 72 Size | 5472H-7300 | |
| | | 74 Size | 5474H-7400 | |
| | | 76 Size | N/A | |
| | | Electro-Polish Finish | 72 Size | 5472H-7390 |
| | | | 74 Size | 5474H-7490 |
| | | | 76 Size | N/A |
| | Hopper with Mech Seals - SMS 1146 - Enlarged Standard Machined Finish | 72 Size | 5472H-7400 | |
| | | 74 Size | N/A | |
| | | 76 Size | N/A | |
| | | Electro-Polish Finish | 72 Size | 5472H-7490 |
| | | | 74 Size | N/A |
| | | | 76 Size | N/A |
| | Hopper with Mech Seals - SMS 1146 - Reduced Standard Machined Finish | 72 Size | 5472H-7250 | |
| | | 74 Size | 5474H-7350 | |
| | | 76 Size | 5476H-7400 | |
| | | Electro-Polish Finish | 72 Size | 5472H-7259 |
| | | | 74 Size | 5474H-7359 |
| | | | 76 Size | 5476H-7490 |
| | Hopper with Mech Seals - NPT - Standard Standard Machined Finish | 72 Size | 5472H-9300 | |
| | | 74 Size | 5474H-9400 | |
| | | 76 Size | 5476H-9500 | |
| | | Electro-Polish Finish | 72 Size | 5472H-9390 |
| | | | 74 Size | 5474H-9490 |
| | | | 76 Size | 5476H-9500 |
| Hopper with Mech Seals - NPT - Enlarged Standard Machined Finish | 72 Size | 5472H-9350 | | |
| | 74 Size | 5474H-9500 | | |
| | 76 Size | 5476H-9600 | | |
| | Electro-Polish Finish | 72 Size | 5472H-9359 | |
| | | 74 Size | 5474H-9590 | |
| | | 76 Size | 5476H-9690 | |
| Hopper with Mech Seals - NPT - Reduced Standard Machined Finish | 72 Size | 5472H-9250 | | |
| | 74 Size | 5474H-9300 | | |
| | 76 Size | 5476H-9400 | | |
| | Electro-Polish Finish | 72 Size | 5472H-9259 | |
| | | 74 Size | 5474H-9390 | |
| | | 76 Size | 5476H-9490 | |



7 Size Pumps

Single Mechanical Seal

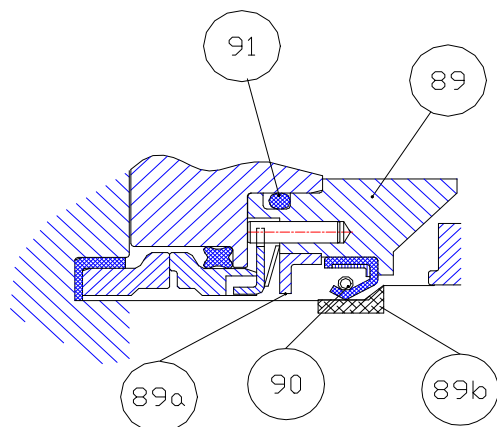
| Key No. | Description | Where used | Part No. | Qty Req. |
|---------|------------------------------------------------------------------------------------------------------------------------------------------|-------------|--------------------------------------------------------------|----------|
| 80 | Primary Seal Face Kit (Includes both faces) - Carbon/Stainless Steel - Carbon/Silicon Carbide - Silicon Carbide/Silicon Carbide | 72, 74 & 76 | 96080-6020 96080-6009 96080-6011 | 2 |
| 81 | Drive Plate - Mechanical Seal | 72, 74 & 76 | X5240-005 | 2 |
| 82 | Wave Spring | 72, 74 & 76 | X5250-019 | 2 |
| 83 | Single Seal Trim Kit - Nitrile - EPDM - Viton - PTFE | 72, 74 & 76 | 96080-6022 96080-6028 96080-6015 Use 83a, 83b & 83c | 2 |
| 83a | Washer under Seal Rotary Face (fitted to rotor) - Viton | 72, 74 & 76 | 54020-0007 | 2 |
| 83b | PTFE Sleeve (fitted to rotor) | 72, 74 & 76 | 54713-0000 | 2 |
| 83c | PTFE Encapsulated O-Ring | 72, 74 & 76 | 92000-6076 | 2 |
| 84 | Clamp Plate - Seal Housing | 72, 74 & 76 | 56011-0000 | 4 |
| 85 | Screw - Seal Housing | 72, 74 & 76 | X3001-207F | 4 |
| 86 | Seal Housing Kit (Includes wave spring) | 72, 74 & 76 | 96080-6013 | 2 |

| | | | | |
|-------------------------------------------------------------------------------------------------------------------------------------------|--------------------|---------|-------------|---|
| | Pump Head Trim Kit | | | 1 |
| | - Nitrile | 72 Size | 54784-9300B | |
| | | 74 Size | 54784-9400B | |
| | | 76 Size | 54784-9600B | |
| | - EPDM | 72 Size | 54784-9307B | |
| | | 74 Size | 54784-9407B | |
| | | 76 Size | 54784-9607B | |
| | - Viton | 72 Size | 54784-9304B | |
| | | 74 Size | 54784-9404B | |
| | | 76 Size | 54784-9604B | |
| | - PTFE | 72 Size | 54784-9302B | |
| | | 74 Size | 54784-9402B | |
| | | 76 Size | 54784-9602B | |
| Consists of: 2 x Single seal trim kit (83), 2 x O-Ring rotor retainer (58), 1 x End cover o-ring (120), 2 x O-Ring shim retention (31) | | | | |

| | | | | | |
|-------------------------------------------------------------------------------------------------------------------|----------------------------------------|----------------|----------------|----------------|---|
| | Seal Service Kit | 72 Size | 74 Size | 76 Size | 1 |
| | Carbon/Stainless | | | | |
| | - Nitrile | 54799-0001 | 54799-0002 | 54799-6002 | |
| | - EPDM | 54799-0003 | 54799-0004 | 54799-6004 | |
| | - Viton | 54799-0005 | 54799-0006 | 54799-6006 | |
| | - PTFE | 54799-0007 | 54799-0008 | 54799-6008 | |
| | Carbon/Silicon Carbide | | | | |
| | - Nitrile | 54799-0009 | 54799-0010 | 54799-6010 | |
| | - EPDM | 54799-0011 | 54799-0012 | 54799-6012 | |
| | - Viton | 54799-0013 | 54799-0014 | 54799-6014 | |
| | - PTFE | 54799-0015 | 54799-0016 | 54799-6016 | |
| | Silicon Carbide/Silicon Carbide | | | | |
| | - Nitrile | 54799-0017 | 54799-0018 | 54799-6018 | |
| | - EPDM | 54799-0019 | 54799-0020 | 54799-6020 | |
| | - Viton | 54799-0021 | 54799-0022 | 54799-6022 | |
| | - PTFE | 54799-0023 | 54799-0024 | 54799-6024 | |
| Consists of: 2 x Primary seal face kit (80), 2 x Pump head trim kit, 2 x Seal housing kit (86), 1 x Shim kit (30) | | | | | |

7 Size Pumps

Flush for Single Mechanical Seals



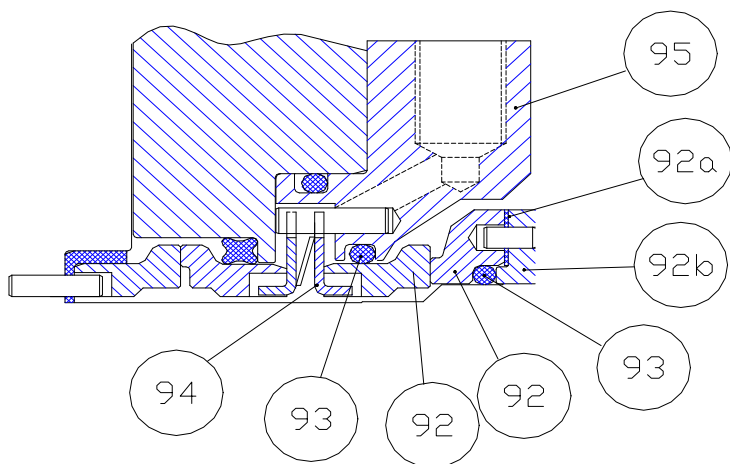
| Key No. | Description | Where used | Part No. | Qty Req. |
|---------|---------------------------------|--------------------------------------|------------|----------|
| 89 | Seal Housing Kit (EPDM) | 72, 74 & 76 | 96080-6018 | 2 |
| 89a | Washer | Supplied as part of Seal Housing Kit | | |
| 89b | Sleeve | 72, 74 & 76 | 96080-6017 | 2 |
| 90 | Lip Seal - Seal Housing (Viton) | 72, 74 & 76 | 92700-1046 | 2 |
| 91 | O-Ring - Seal Housing (Nitrile) | 72, 74 & 76 | 92000-6079 | 2 |

| |
|---------------------------------------------------------------------------------------------------------------------------------------------------------------|
| <p>Flush seal housing kit consists of: 1 x wave spring, 1 x drive ring, 1 x o-ring (3), 1 x flush housing, 1 x washer (1a), 3 x pin.</p> |
|---------------------------------------------------------------------------------------------------------------------------------------------------------------|

| | | | | |
|--------------------------------------------------------------------------------------------------------------------------------------------------|--|------------|---|--|
| <p>Flushed Seal Conversion Kit - Nitrile Consists of: 2 x Seal Housing Kit (89), 2 x Lip Seal (90)</p> | | 54799-0025 | 1 | |
|--------------------------------------------------------------------------------------------------------------------------------------------------|--|------------|---|--|

7 Size Pumps

Double Mechanical Seal Conversion Kit



| Key No. | Description | Where used | Part No. | Qty Req. |
|---------|---------------------------------------------------------------------------------------|---------------------------------------------|--------------------------|----------|
| 92 | Secondary Seal Face Kit - Carbon/Silicon Carbide - Stainless Steel/Silicon Carbide | 72, 74 & 76 | 96080-6030 96080-6031 | 2 |
| 92a | Rubber Washer - EPDM | Supplied as part of Secondary Seal Face Kit | | |
| 92b | Drive Ring | Supplied as part of Secondary Seal Face Kit | | |
| 93 | Secondary Seal Trim Kit - EPDM - Viton | 72, 74 & 76 | 96080-6032 96080-6012 | 2 |
| 94 | Drive Plate - Mechanical Seal Secondary | 72, 74 & 76 | | 2 |
| 95 | Seal Housing Kit | | 96080-6029 | 2 |

Secondary Seal Face Kit Consists of:
1 x Face inboard & seat outboard, 1 x Rotary seal face (outboard), 1 x gasket, 1 x drive ring, 1 x pin

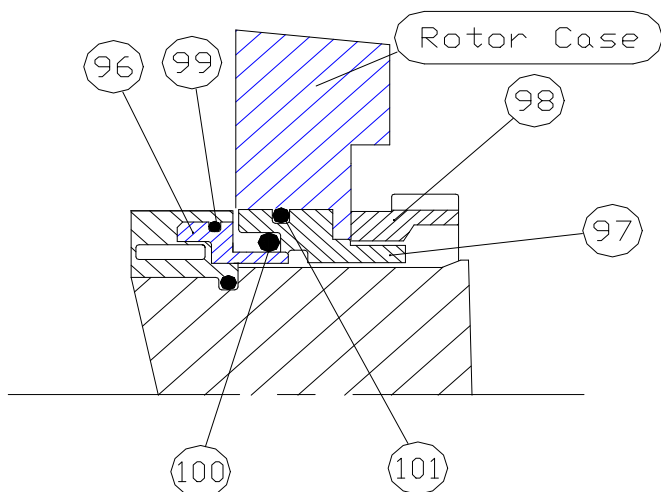
Secondary Seal Trim Kit Consists of:
3 x O-rings

Seal Housing Kit Consists of:
1 x Wave spring, 2 x Drive ring, 1 x Double flush housing, 3 x Pins

| | | | | |
|--|-------------------------------------------------------------------------------------------------------------------------------------------------------------------------------------------------|--|------------|---|
| | Double Mechanical Seal Conversion Kit Consists of: 2 x Secondary Seal Face Kit (92), 2 x Secondary Seal Trim Kit (93), 2 x Drive Plate Mechanical Seal (94), 2 x Seal Housing Kit (95) | | 54799-0030 | 1 |
|--|-------------------------------------------------------------------------------------------------------------------------------------------------------------------------------------------------|--|------------|---|

7 Size Pumps

Single O-Ring Seal



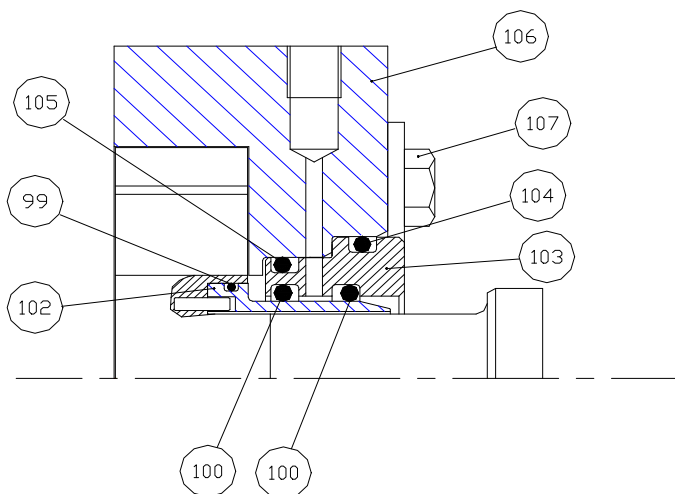
| Key No. | Description | Where used | Part No. | Qty Req. | |
|---------|--------------------------------------------|-------------|--------------------------|----------|--|
| 96 | Seal Sleeve | 72, 74 & 76 | 54753-0000 | 2 | |
| 97 | Seal Housing | 72, 74 & 76 | 54752-0000 | 2 | |
| 98 | Retaining Nut | 72, 74 & 76 | 54754-0000 | 2 | |
| 99 | O-Ring - Rotor (Nitrile) (Viton) | 72, 74 & 76 | 92000-6038 92000-6078 | 2 | |
| 100 | O-Ring - Primary Seal (Nitrile) (Viton) | 72, 74 & 76 | 92000-6081 92000-6082 | 2 | |
| 101 | O-Ring - Seal Housing (Nitrile) (Viton) | 72, 74 & 76 | 92000-6038 92000-6078 | 2 | |

| | | | | | |
|--|------------------------------------------------------------------------------------------------------------------------------------------------------------------------------------------------------|-------------------------------------|----------------------------------|---|--|
| | Single O-Ring Seal Kit Consists of:- 2 x Seal Sleeve, 2 x Seal Housing, 2 x Retaining Nut 2 x O-Ring Rotor (Nitrile), 2 x O-Ring Primary Seal (Viton), 2 x O-Ring Seal Housing (Nitrile) | 72, 74 & 76 Nitrile Viton | 54751-0000 54751-0001 | 1 | |
|--|------------------------------------------------------------------------------------------------------------------------------------------------------------------------------------------------------|-------------------------------------|----------------------------------|---|--|

| | | | | | |
|--|--------------------------------------------------------------------------------------------------------------------------------------------------------------------------------------------------------|----------------------------------|------------------------------------------------------|---|--|
| | Single O-Ring Maintenance Seal Kit Consists of:- 1 x Single O-Ring Seal Kit, 1 x End Cover O-Ring (120), 1 x Shim kit (30) 2 x O-Ring Rotor Retainer (58), 2 x O-ring Shim Retention (31) | Nitrile EPDM Viton PTFE | 54799-0040 54799-0041 54799-0042 54799-0043 | 1 | |
|--|--------------------------------------------------------------------------------------------------------------------------------------------------------------------------------------------------------|----------------------------------|------------------------------------------------------|---|--|

7 Size Pumps

Double O-Ring Seal



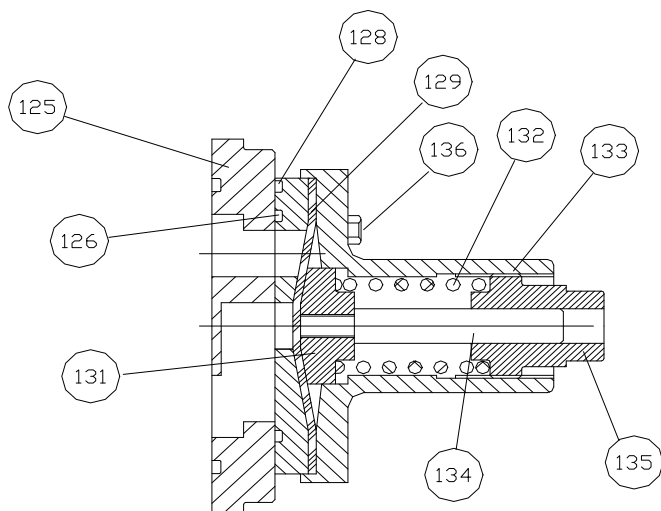
| Key No. | Description | Where used | Part No. | Qty Req. |
|---------|-------------------------------|-------------|----------|----------|
| 99 | O-Ring - Rotor (Nitrile) | 72, 74 & 76 | | 2 |
| 100 | O-Ring - Primary Seal (Viton) | 72, 74 & 76 | | 4 |
| 102 | Seal Sleeve | 72, 74 & 76 | | 2 |
| 103 | Seal Housing | 72, 74 & 76 | | 2 |
| 104 | O-Ring Housing (Nitrile) | 72, 74 & 76 | | 2 |
| 105 | O-Ring Flush Housing | 72, 74 & 76 | | 2 |
| * 106 | Housing - Flush | 72, 74 & 76 | | 2 |
| 107 | Bolt Flush Housing | 72, 74 & 76 | | 4 |

* Note: Rotor case may be different, Refer to JABSCO quoting pump serial number for information

Under Development

| | | | | |
|--|-----------------------------------------------------------------------------------------------------------------------------------------------------------------------------------------------------------------------------------------------------------------------------------------------------------------------|-------------|--|---|
| | Double O-Ring Seal Kit Consists of:- 1 x Rotor Case - Double O-Ring Seal (Bolt on Rotor) 2 x O-Ring Rotor (Nitrile), 4 x O-Ring Primary Seal (Viton) 2 x Seal Sleeve, 2 x Seal Housing, 2 x O-Ring housing (Nitrile) 2 x O-Ring Flush Housing (Nitrile), 2 x Flush Housing 4 x Bolt - Flush Housing | 72, 74 & 76 | | 1 |
|--|-----------------------------------------------------------------------------------------------------------------------------------------------------------------------------------------------------------------------------------------------------------------------------------------------------------------------|-------------|--|---|

| | | | | |
|--|----------------------------------------------------------------------------------------------------------------------------------------------------------------------|----------------------------------|----------------------------------------------|---|
| | Double O-Ring Maintenance Seal Kit Consists of:- 1 x Double O-Ring Seal Kit, 1 x End Cover O-Ring, 2 x O-Ring Rotor Retainer, 2 x O-ring Shim Retention | Nitrile EPDM Viton PTFE | ???-???? ???-???? ???-???? ???-???? | 1 |
|--|----------------------------------------------------------------------------------------------------------------------------------------------------------------------|----------------------------------|----------------------------------------------|---|



7 Size Pumps

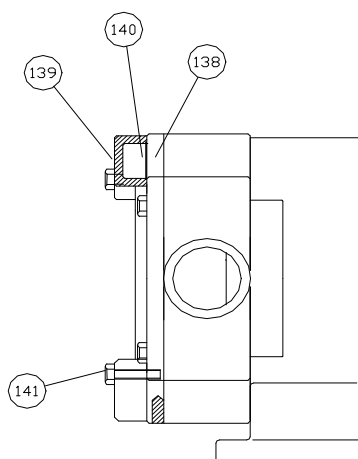
Relief Valve

| Key No. | Description | Where used | Part No. | Qty Req. | |
|--------------|---------------------------------------------------------|-------------|----------------------------------------|----------|--|
| Relief Valve | | | | | |
| 125 | End Cover | 72, 74 & 76 | 54709-0001 | 1 | |
| 126 | O-Ring - Relief Valve - Nitrile - PTFE - Viton | 72, 74 & 76 | X4020-449A X4020-449E X4020-449B | 1 | |
| 128 | Seat - Relief valve | 72, 74 & 76 | 24372-0001 | 1 | |
| 129 | Diaphragm - Relief Valve - Nitrile - PTFE | 72, 74 & 76 | 24073-0023 24073-0013 | 1 | |
| 131 | Plunger | 72, 74 & 76 | 24374-0000 | 1 | |
| 132 | Spring - Relief Valve | 72, 74 & 76 | 24375-0000 | 1 | |
| 133 | Housing | 72, 74 & 76 | 24376-0000 | 1 | |
| 134 | Valve Guide | 72, 74 & 76 | 24377-0000 | 1 | |
| 135 | Adjusting Screw | 72, 74 & 76 | 24378-0000 | 1 | |
| 136 | Bolt - Relief Valve | 72, 74 & 76 | X3001-218F | 4 | |

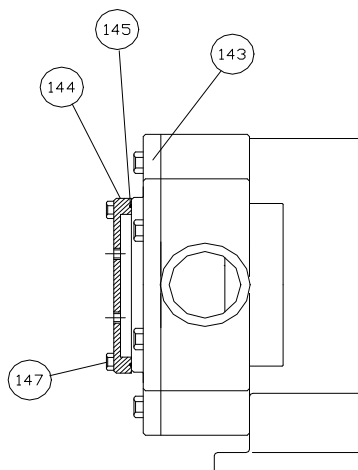
| | | | | | |
|--|---------------------------------------------------------|--|-------------|---|--|
| | Relief Valve Kit (includes all of the components above) | | 54781-0001B | 1 | |
|--|---------------------------------------------------------|--|-------------|---|--|

7 Size Pumps

Thermal Jackets



Thermal Jacket - Pump Head



Thermal Jacket - End Cover

| Key No. | Description | Where used | Part No. | Qty Req. | |
|----------------------------|-------------|-------------|------------|----------|--|
| Thermal Jacket - Pump Head | | | | | |
| 138 | End Cover | 72, 74 & 76 | 54709-0003 | 1 | |
| 139 | Jacket | 72, 74 & 76 | 54701-0001 | 2 | |
| 140 | O-Ring | 72, 74 & 76 | X1990-156 | 2 | |
| 141 | Screws | 72, 74 & 76 | X3001-244F | 4 | |

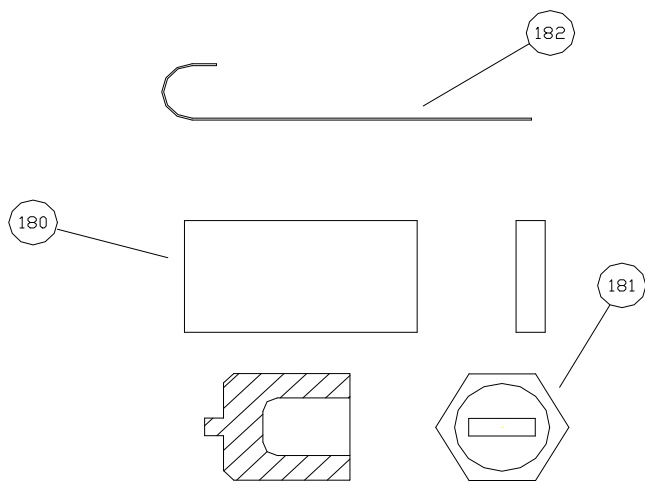
| | | | | | |
|-------------------------------------------------------------|--|-------------|-------------|---|--|
| Pump Head Jacket Kit (Includes all of the components above) | | 72, 74 & 76 | 54780-0003B | 1 | |
|-------------------------------------------------------------|--|-------------|-------------|---|--|

| | | | | | |
|----------------------------|----------------|-------------|-------------|---|--|
| Thermal Jacket - End Cover | | | | | |
| 143 | End Cover | 72, 74 & 76 | 54709-0004 | 1 | |
| 144 | Jacket | 72, 74 & 76 | 54779-0000 | 1 | |
| 145 | O-Ring - Outer | 72, 74 & 76 | SP2000-1243 | 1 | |
| 147 | Screws | 72, 74 & 76 | X3001-211F | 4 | |

| | | | | | |
|-------------------------------------------------------------|--|-------------|-------------|---|--|
| End Cover Jacket Kit (Includes all of the components above) | | 72, 74 & 76 | 54780-0004B | 1 | |
|-------------------------------------------------------------|--|-------------|-------------|---|--|

| | | | | | |
|--|----------------------------------------------------------------------------------------------------------------------------------------------------------------------------------------------------------------------------------------------------------------------------------------------------------------------------------------------------|-------------|-------------|---|--|
| | Relief Valve with Thermal Jacket - End Cover Consists of: 1 x End cover (138), 1 x O-Ring - valve (126), 1 x Seat - valve (128) 1 x Diaphragm (129), 1 x Plunger (131), 1 x Spring (132), 1 x Housing (133) 1 x Valve guide (134), 1 x Adjusting screw (135), 2 x bolts (136) 2 x Jacket (139), 2 x O-ring (140) & 4 x Screws (141) | 72, 74 & 76 | 54780-0009B | 1 | |
|--|----------------------------------------------------------------------------------------------------------------------------------------------------------------------------------------------------------------------------------------------------------------------------------------------------------------------------------------------------|-------------|-------------|---|--|

7 Size Pumps



Tools

| Key No. | Description | Where used | Part No. | Qty Req. | |
|---------|------------------------------|-------------|------------|----------|--|
| 182 | Tool - Seal Seat Removal | 72, 74 & 76 | 54677-0000 | 1 | |
| 180 | Tool - Rotor Locking Pad | 72, 74 & 76 | 55027-0004 | 1 | |
| 181 | Socket Tool - Rotor Retainer | 72, 74 & 76 | 54676-0000 | 1 | |