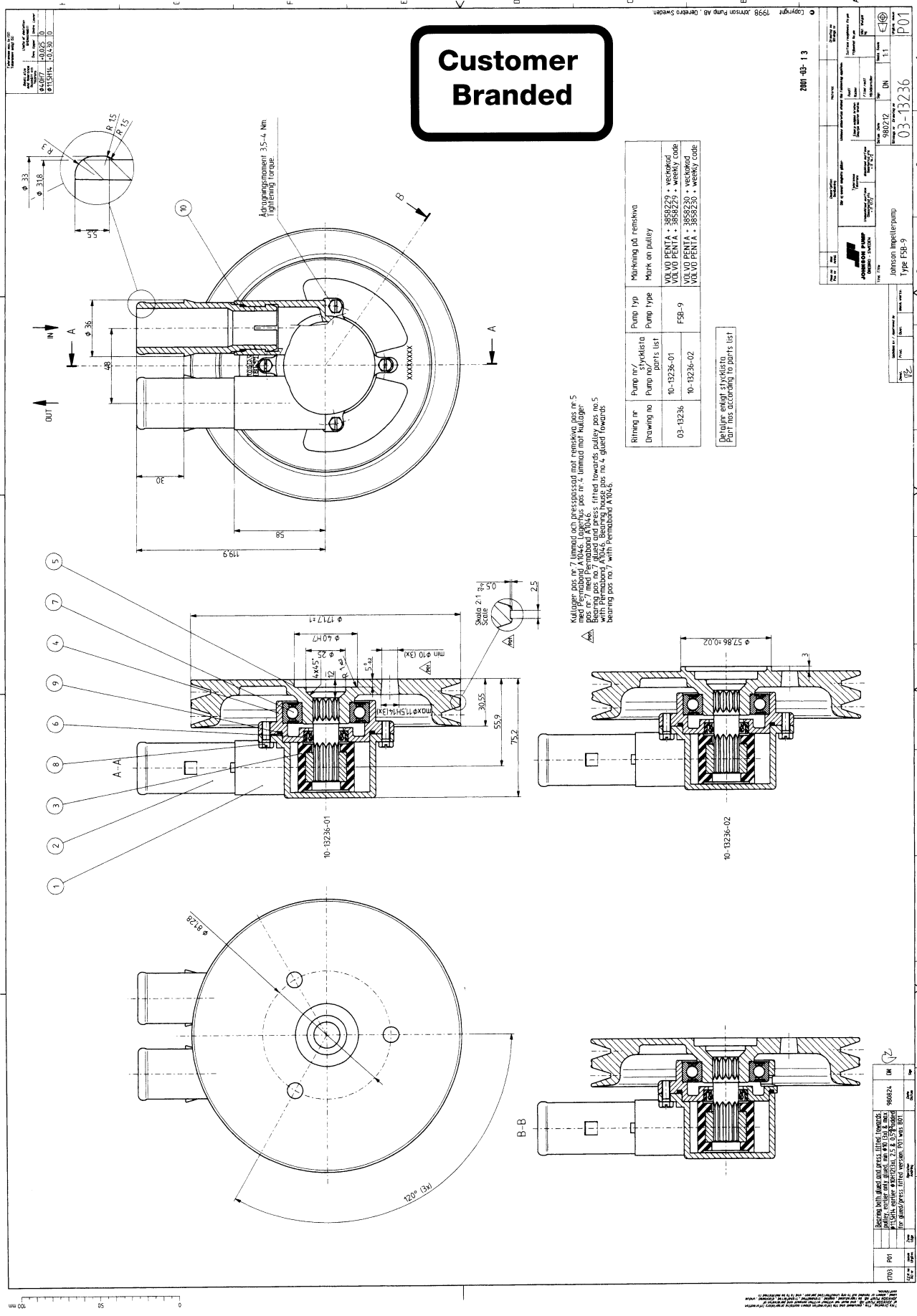


**Customer Branded**



JOHNSON PUMP		JOHNSON PUMP	
DN	980712	DN	980712
03-13236		03-13236	
1:1		1:1	

**Assembly Drawing No 03-13236**

F5B-9 Impeller Pump OEM / Art. No. 10-13236-02

Position	Quantity	Part. No.	Description
8	4	0.0141.501	SCREW M5X12 (05-04-660)
10	2	0.2172.016	O-RING D26.7X1.78 (05-06-613)
9	1	0.2173.476	O-RING D54.6 X 2,4 (05-06-597)
6	1	0.2233.001	LIP SEAL 16X28X7 (05-29-105)
7	1	0.3431.753	BALL BEARING (05-08-517)
5	1	01-13235-2	REMSKIVA F5B-9 (VPoA)
1	1	01-24553	PUMPHUS F5B-9 (VPoA)
2	2	01-35856	SLANGANSLUTNING F5B-9 (VPoA)
4	1	01-35859	LAGERHUS F5B-9 (VPoA)
3	1	08-1027B-01	IMPELLER VP825940

**Assembly Drawing No. 03-13236**

F5B-9 Impeller Pump OEM / Art. No.10-13236-01

Position	Quantity	Part No.	Description
1	1	01-24553	PUMPBODY F5B-9 (VPoA)
2	2	01-35856	HOSE CONNECTION F5B-9 (VPoA)
3	1	08-1027B-01	IMPELLER VP825940
4	1	01-35859	BEARING HOUSING F5B-9 (VPoA)
5	1	01-13235-1	PULLEY F5B-9 (VPoA)
6	1	0.2233.001	LIP SEAL 16X28X7 DPSM
7	1	0.3431.753	BALL BEARING 6006.2RS1/VT90 ST
8	4	0.0141.501	SCREW M5X12 ISO4017 BRASS
9	1	0.2173.476	O-RING 59.6X2.4 SS1586 NBR70
10	2	0.2172.016	O-RING 26.7X1.78 BS1806 NBR70