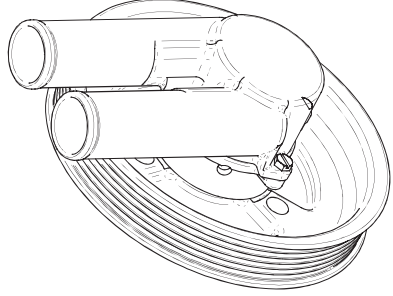
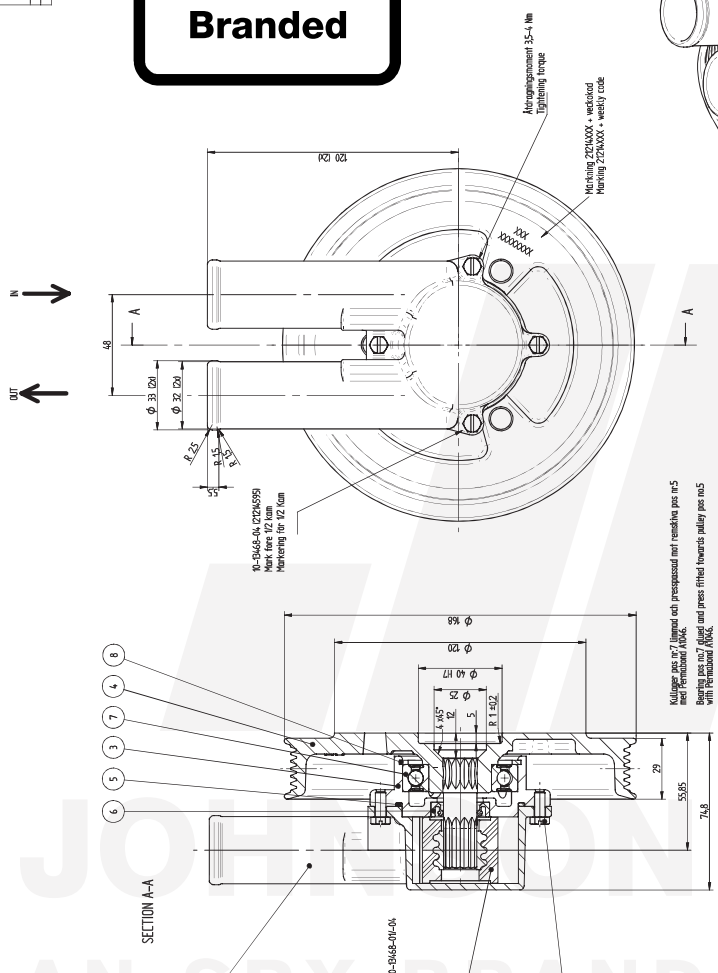


Customer Branded





Alignment 35-4 Nm
tightening torque

Housing 220A059 - wetted
Housing 220A000 - wetted code

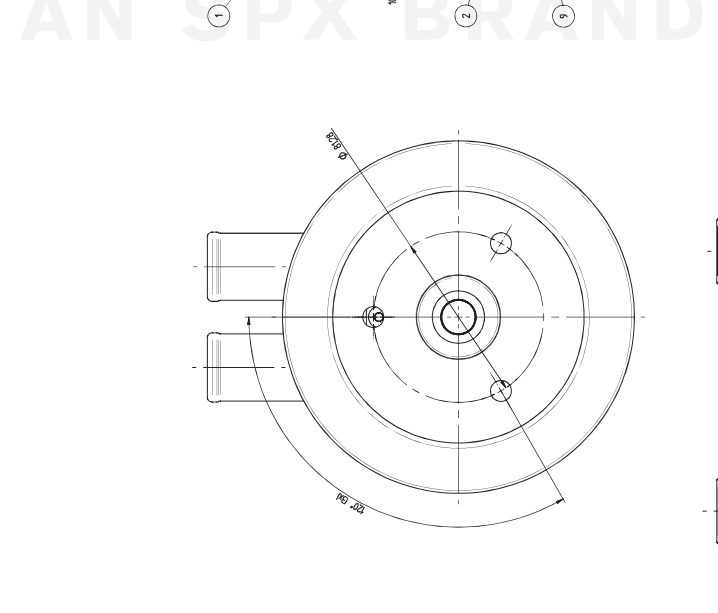
Housing 220A059

Housing for 102 Com

Multiple use in 7" allowed with preprocessed and remanufactured parts as
bearing case not fitted and press fitted towards safety per n.s.5
with Remanufactured A/RK.

Ring no	Pump ref	Part no	Part description
09-B468	10-B468-01	10-B468-01	Wetted part Housing on pulley
	10-B468-01	10-B468-01	VALU PERVA - 220A059 - wetted
	10-B468-03	10-B468-03	VALU PERVA - 220A059 - wetted code
	10-B468-04	10-B468-04	VALU PERVA - 220A059 - wetted
	10-B468-04	10-B468-04	VALU PERVA - 220A059 - wetted code

Determine engine specifications
Part list according to parts list



Alignment 35-4 Nm
tightening torque

Housing 220A059 - wetted
Housing 220A000 - wetted code

Housing 220A059

The product, i.e. concept, design and construction, is the property of SPX Johnson Pump Marine AB

Engine Cooling, high speed pumps

295

**F5B-9 Impeller pump
Art. No. 10-13468-01**

Part no.	Description GB	Position	Quantity
01-24665-1	PUMPBODY F5B-9 (VPoA)	1	1
08-1027B-110	IMPELLER VP21213650	2	1
01-35985	BEARING HOUSING F5B-9 (VPoA)	3	1
01-13222-1	PULLEY F5B-9 (VPoA)	4	1
0.2173.476	O-RING 54.6X2.4 NBR70	5	1
0.2233.001	LIP SEAL 16X28X7 DPSM	6	1
0.3431.753	BALL BEARING 6006 2RS1/VT90 ST	7	1
0.0371.058	RETAIN. RING BORE D55 DIN 472 SPRST	8	1
0.0141.501	SCREW M5X12 ISO4017 BRASS	9	4