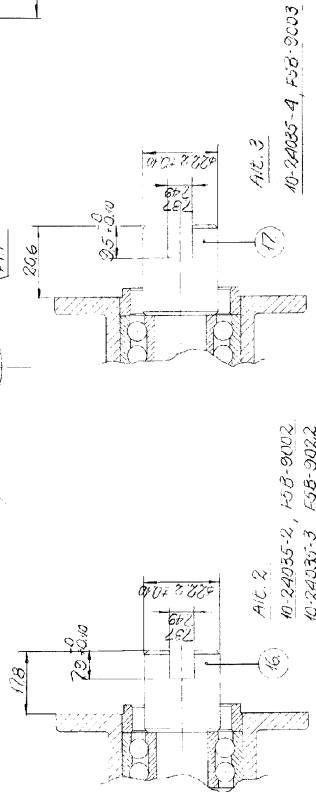
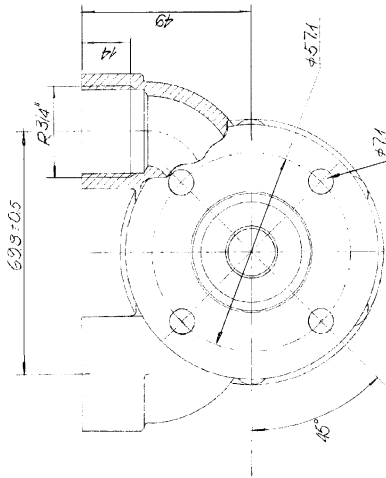
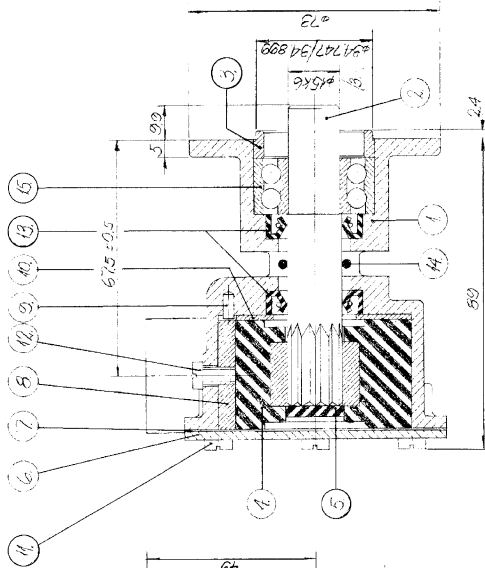


DRINNA STÄMMING AB PÅ SVERIGEN ÖST  
 SÄLLA 24, NÄSÄNÄN ÅTER, JÄMMÖ, 511  
 SÄLLA 24, NÄSÄNÄN ÅTER, JÄMMÖ, 511  
 SÄLLA 24, NÄSÄNÄN ÅTER, JÄMMÖ, 511  
 JOHNSON PUMP AB ÖREBRO



SAE involute spines  
 SAE involute 199  
 Diametrical pitch: 20.40  
 Pressure Angle 30°  
 Number of teeth 19  
 Add-on fuggar 17.18-0.40  
 Pitch diameter 16.51  
 Minor diameter 14.88-0.20

Model number	Impeller	Cam	Cam screw	Coupling	Alt.
10-24035-1	F5B-9004	1/4	01-42337	05-04-117	1
10-24035-2	F5B-9002	1/4	01-42337	05-04-117	2
10-24035-3	F5B-9002	1/2	01-45014	05-04-175	2
10-24035-4	F5B-9003	1/4	01-42337	05-04-117	3
10-24035-5	F5B-9004	1/4	01-42337	05-04-117	4
10-24035-6	F5B-9005	1/4	01-42337	05-04-117	5

Spines coupling	19	1	Kops coupling	01-45029
Spines coupling	18	1	Kops coupling	01-45029
Spines coupling	17	1	Kops coupling	01-45031
Spines coupling	16	1	Kops coupling	01-45030
Ball bearing	15	1	Ball bearing	05-03-827
O-ring	14	1	O-ring	05-06-807
Lip seal	13	2	Lip seal	05-06-807
Cam screw	12	1	Cam screw	05-06-807
End cover screw	11	6	End cover screw	05-06-807
Cam plate	10	1	Cam plate	05-06-807
Cam	9	1	Cam	05-06-807
Gasket	8	1	Gasket	05-06-807
End cover	7	1	End cover	05-06-807
Rubber washer	6	1	Rubber washer	05-06-807
Impeller	5	1	Impeller	05-06-807
Guide	4	1	Guide	05-06-807
Shaft	3	1	Shaft	05-06-807
Body	2	1	Body	05-06-807

3	1616	var	45.56	1.6
1	1616	var	45.56	1.6
1	1616	var	45.56	1.6
1	1616	var	45.56	1.6

Dimensions in mm.  
 Matt i mm.

Material	Stainless steel
Finishing	Polished
Part name	Impeller pump
Part number	10-24035, F5B-9
Scale	1:1