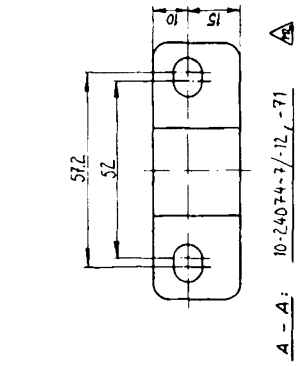
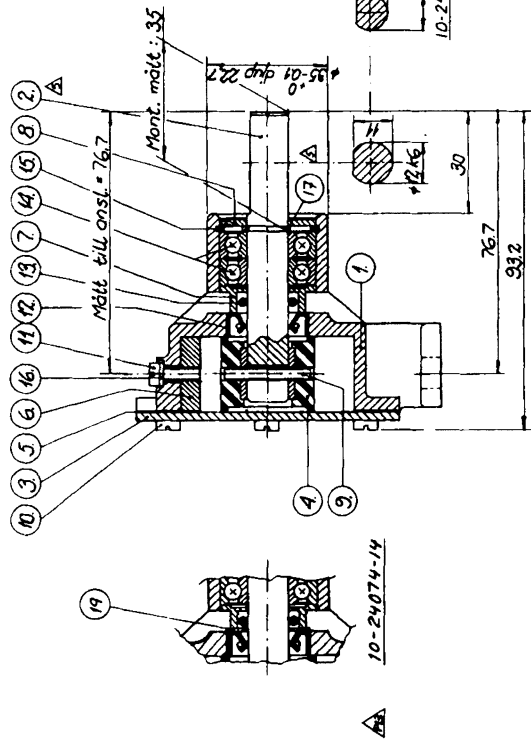


Pump No. Mark on endcover  
10-24074-1-13-57-9-11-13-71  
10-24074-2-4-6-8-10-12  
Pump type + No. + monthly code  
CWP 3/

Note! Label 01-35302-1 is to placed  
in centre of endcover 01-46007.



Pump No	Pump type	Impeller	Impeller No	Cam	Thickness	No.	Screw	Washer	Body	Thread G.	Endcover	Label	Shaft
10-24074-1	F4B-8	Neoprene	08-810 B-9	01-42389	111	01-42389	05-04-115		01-35029-1	R3/8"			
-2	F4B-8	NBR 716	08-810 B-9	01-45084	112	01-45084	05-04-163				01-42398		01-45069
-3	F4B-8	Neoprene	08-810 B-9	01-45288	213	01-45288	05-04-114						
-4	F4B-8	NBR 716	08-810 B-9	01-42389	111	01-42389	05-04-115						
-5	F4B-8	Neoprene	08-810 B-9	01-45084	112	01-45084	05-04-163						
-6	F4B-8	NBR 716	08-810 B-9	01-45288	213	01-45288	05-04-114						
-7	F4B-8	Neoprene	08-810 B-9	01-42389	111	01-42389	05-04-115		01-35029-1	R3/8"	01-46007	01-35302-1	01-46416
-8	F4B-8	NBR 716	08-810 B-9	01-45084	112	01-45084	05-04-163		01-35029-1	R3/8"	01-42398		01-45069
-9	F4B-8	Neoprene	08-810 B-9	01-45288	213	01-45288	05-04-114						
-10	F4B-8	NBR 716	08-810 B-9	01-42389	111	01-42389	05-04-115						
-11	F4B-8	Neoprene	08-810 B-9	01-45084	112	01-45084	05-04-163						
-12	F4B-8	NBR 716	08-810 B-9	01-45288	213	01-45288	05-04-114						
-13	F4B-8	Neoprene	08-810 B-9	01-42389	111	01-42389	05-04-115						
-14	F4B-8	NBR 716	08-810 B-9	01-45084	112	01-45084	05-04-163						
-15	F4B-8	Neoprene	08-810 B-9	01-45288	213	01-45288	05-04-114						

Part No	Description	Material	Quantity	Unit
76-0520	10-24074-14 tillkomst	DN	1	Stk
940816	14 tillkomst	AN	1	Stk
940324	14 tillkomst	TE	1	Stk
930610	14 tillkomst	TE	1	Stk
921126	14 tillkomst	TE	1	Stk
871116	14 tillkomst	JT	1	Stk
171932	14 tillkomst	VB	1	Stk
29462	14 tillkomst	29462	1	Stk
29462	14 tillkomst	29462	1	Stk
29462	14 tillkomst	29462	1	Stk
31877	14 tillkomst	01-12926	1	Stk
36676	14 tillkomst	36676	1	Stk
22376	14 tillkomst	22376	1	Stk

Replaced by F4B-8  
Art. No. 10-24570

Pos. Qty. Description Material Dimension Drawing nr.  
1 1 Body Pumphus Dimension Drawing nr.  
2 1 Shaft Axel Dimension Drawing nr.  
3 1 End cover Lock Dimension Drawing nr.  
4 1 Impeller Impeller Dimension Drawing nr.  
5 1 Gasket Packing Dimension Drawing nr.  
6 1 Cam Kam Dimension Drawing nr.  
7 1 Washer Bricka Dimension Drawing nr.  
8 1 Washer Bricka Dimension Drawing nr.  
9 1 Screw Skruv Nr.10-32 UNFx25 05-04-124  
10 6 Screw Skruv M4x8 05-04-642  
11 1 Lip seal Läpp tätning DPSM 12247 05-29-139  
12 1 O-ring O-ring 611.3 x 62.4 05-06-513  
13 2 Ball bearing Kullager 6001 2RS 05-08-130  
14 2 Retaining ring Låsring 67x64x1 05-34-131  
15 1 Retaining ring Låsring 07x64x1 05-34-501  
16 1 Washer Bricka SgA 12 05-34-501  
17 1 Retaining ring Låsring 07x64x1 05-34-501  
18 1 Label Märkskilt See table 09-45587  
19 1 Washer Bricka See table 09-46625

Multipurpose