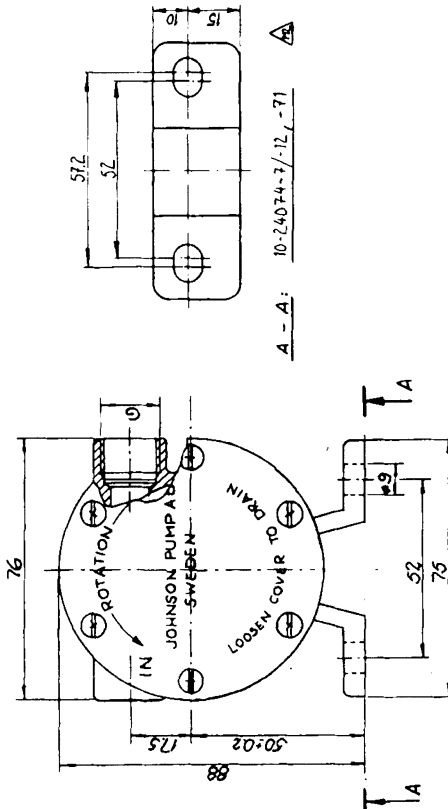
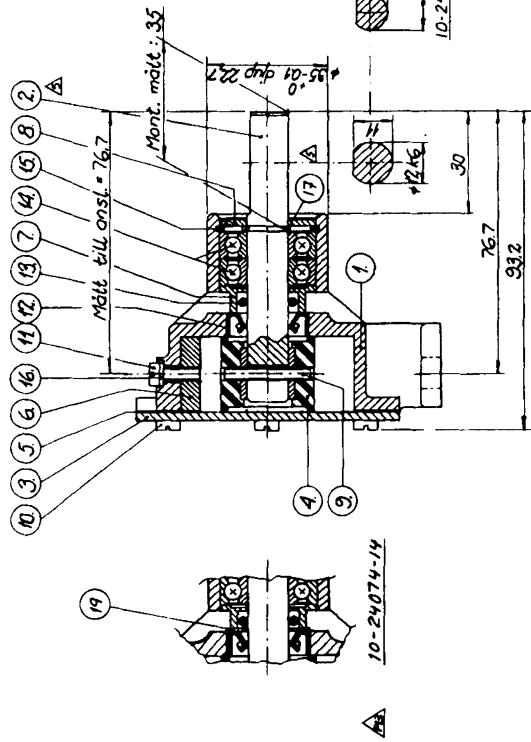


Pump No. Mark on endcover
 10-24074-1-3-5-7-9-11-13-71
 Pump type + No + monthly code
 10-24074-13 CWP 3/1

Note! Label 01-35302-1 is to placed
 in centre of endcover 01-46007.



A - A: 10-24074-7-12, -71

Pump No	Pump type	Impeller	Impeller No	Cam	Thickness	No.	Screw	Washer	Body	Thread	G. Endcover	Label	Shaft
10-24074-1	F4B-8	Neprene	08-810 B-9	01-42389	111	01-42389	05-04-115		01-35029-1	R 3/8"			
2	F4B-8	Neprene	08-810 B-9	01-45084	112	01-45084	05-04-163				01-42398		01-45069
3	F4B-8	Neprene	08-810 B-9	01-45288	213	01-45288	05-04-114						
4	F4B-8	Neprene	08-810 B-9	01-42389	111	01-42389	05-04-115	05-01-120					
5	F4B-8	Neprene	08-810 B-9	01-45084	112	01-45084	05-04-163						
6	F4B-8	Neprene	08-810 B-9	01-45288	213	01-45288	05-04-114						
7	F4B-8	Neprene	08-810 B-9	01-42389	111	01-42389	05-04-115		01-35029-1	R 3/8"		01-35302-1	01-46416
8	F4B-8	Neprene	08-810 B-9	01-45084	112	01-45084	05-04-163		01-35029-1	R 3/8"			01-45069
9	F4B-8	Neprene	08-810 B-9	01-45288	213	01-45288	05-04-114						
10	F4B-8	Neprene	08-810 B-9	01-42389	111	01-42389	05-04-115						
11	F4B-8	Neprene	08-810 B-9	01-45084	112	01-45084	05-04-163						
12	F4B-8	Neprene	08-810 B-9	01-45288	213	01-45288	05-04-114						
13	F4B-8	Neprene	08-810 B-9	01-42389	111	01-42389	05-04-115						
14	F4B-8	Neprene	08-810 B-9	01-45084	112	01-45084	05-04-163						
15	F4B-8	Neprene	08-810 B-9	01-45288	213	01-45288	05-04-114						
16	F4B-8	Neprene	08-810 B-9	01-42389	111	01-42389	05-04-115						
17	F4B-8	Neprene	08-810 B-9	01-45084	112	01-45084	05-04-163						
18	F4B-8	Neprene	08-810 B-9	01-45288	213	01-45288	05-04-114						
19	F4B-8	Neprene	08-810 B-9	01-42389	111	01-42389	05-04-115						

Replaced by F4B-8
 Art. No. 10-24570

Multipurpose