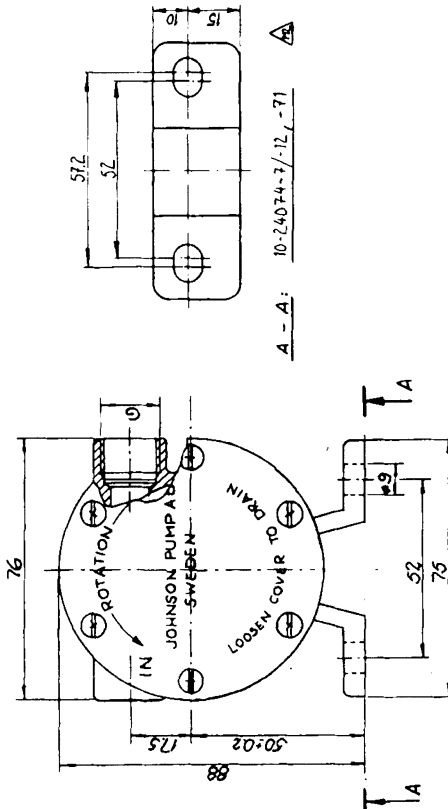
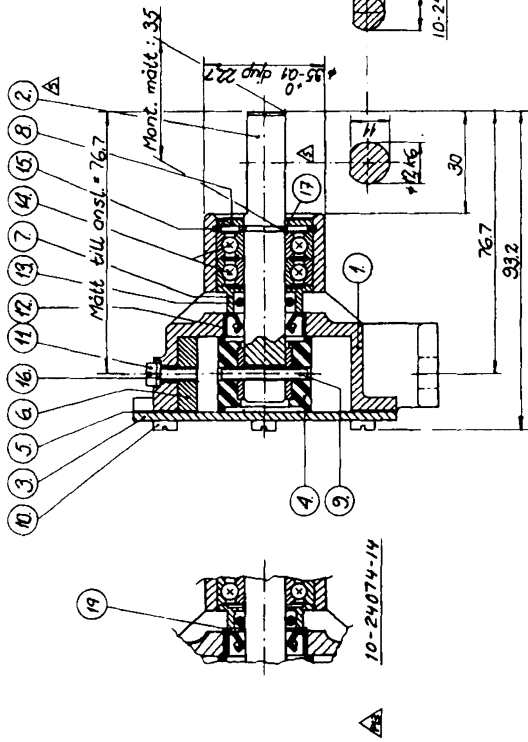


Pump No. Mark on endcover
 10-24074-1-3-5-7-9-11-13-71
 10-24074-2-4-6-8-10-12
 Pump type + No. + monthly code
 CWP 3/

Note! Label 01-35302-1 is to placed
 in centre of endcover 01-46007.



Pump No	Pump type	Impeller	Impeller No	Impeller Material	Cam	Thickness	No.	Screw	Washer	Body	Thread	G. Endcover	Label	Shaft
10-24074-1	F4B-8	Neoprene	08-810 B-9	08-810 B-9	01-42389	111	01-42389	05-04-115		01-35029-1	R 3/8"			
2	F4B-8	Nitrile	08-810 B-9	08-810 B-9	01-45084	112	01-45084	05-04-163				01-42398		
3	F4B-8	Nitrile	08-810 B-9	08-810 B-9	01-45288	213	01-45288	05-04-114						01-45069
4	F4B-8	Nitrile	08-810 B-9	08-810 B-9	01-42389	111	01-42389	05-04-115	05-01-120					
5	F4B-8	Nitrile	08-810 B-9	08-810 B-9	01-45084	112	01-45084	05-04-163						
6	F4B-8	Nitrile	08-810 B-9	08-810 B-9	01-45288	213	01-45288	05-04-114						
7	F4B-8	Nitrile	08-810 B-9	08-810 B-9	01-42389	111	01-42389	05-04-115		01-35029-1	R 3/8"	01-46007	01-35302-1	
8	F4B-8	Nitrile	08-810 B-9	08-810 B-9	01-45084	112	01-45084	05-04-163						
9	F4B-8	Nitrile	08-810 B-9	08-810 B-9	01-45288	213	01-45288	05-04-114						
10	F4B-8	Nitrile	08-810 B-9	08-810 B-9	01-42389	111	01-42389	05-04-115						
11	F4B-8	Nitrile	08-810 B-9	08-810 B-9	01-45084	112	01-45084	05-04-163						
12	F4B-8	Nitrile	08-810 B-9	08-810 B-9	01-45288	213	01-45288	05-04-114						
13	F4B-8	Nitrile	08-810 B-9	08-810 B-9	01-42389	111	01-42389	05-04-115						
14	F4B-8	Nitrile	08-810 B-9	08-810 B-9	01-45084	112	01-45084	05-04-163						
15	F4B-8	Nitrile	08-810 B-9	08-810 B-9	01-45288	213	01-45288	05-04-114						
16	F4B-8	Nitrile	08-810 B-9	08-810 B-9	01-42389	111	01-42389	05-04-115						
17	F4B-8	Nitrile	08-810 B-9	08-810 B-9	01-45084	112	01-45084	05-04-163						
18	F4B-8	Nitrile	08-810 B-9	08-810 B-9	01-45288	213	01-45288	05-04-114						
19	F4B-8	Nitrile	08-810 B-9	08-810 B-9	01-42389	111	01-42389	05-04-115						

#	Service kit	Pump No.	10-24074-1-3-5-7-9-11-13-71	09-45587
#	Service kit	Pump No.	10-24074-2-4-6-8-10-12	09-45588
#	Service kit	Pump No.	10-24074-14	09-46625

Pos.	Qty.	Description	Material	Dimension	Drawing nr.
1	1	Body	Bricka		01-45050
2	1	Shaft	Bricka		01-42391
3	1	End cover	Bricka		01-45049
4	1	Impeller	Bricka		01-45050
5	1	Gasket	Kam		01-42391
6	1	Washer	Kam		01-45050
7	1	Washer	Kam		01-45050
8	1	Washer	Kam		01-45050
9	1	Screw	Skriv		05-04-115
10	6	Screw	Skriv		05-04-115
11	1	Screw	Skriv		05-04-115
12	1	Lip seal	Läpp tätning		05-29-139
13	2	Ball bearing	Kullager		05-06-513
14	2	Retaining ring	Låsring		05-34-131
15	1	Retaining ring	Låsring		05-34-131
16	1	Washer	Låsring		05-34-501
17	1	Retaining ring	Låsring		05-34-501
18	1	Label	Märkskilt		01-45659
19	1	Washer	Bricka		01-45659

Replaced by F4B-8
 Art. No. 10-24570