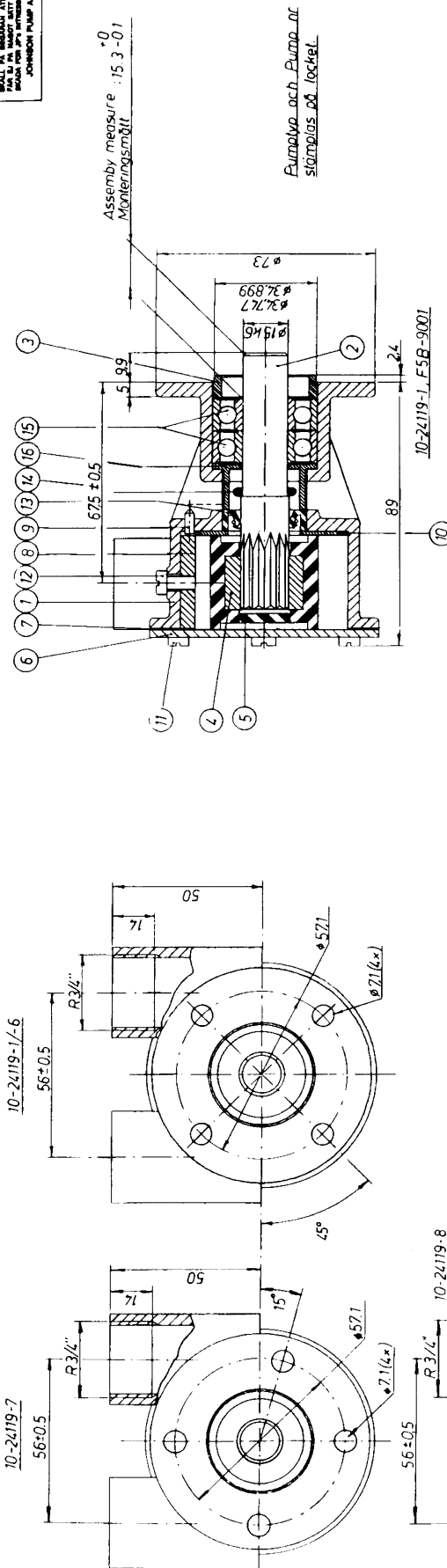


SMÅLL F5B-9
MIDJELÅN AVTÄLLNINGAR
F5B-9
MÅTT ENLIGT RITNINGEN
JOHNSON PUMP AB, ÖRNESKO



Assembly measure
Monteringsmått

Pumpoly och Pump or
slätolja på locket.

PUMP NO	PUMPTYP	BODY	DESCRIPTION	NO	SCREW	COUPLING
PUMP NR	PUMPTYP	PUMPHUS	BENÄMNING	NR	SKRIV	KOPPLING
10-24119-1	F5B-9001	10-24115-1	1/1	01-42397	05-04-117	01-45030
10-24119-2	F5B-9002	10-24115-1	1/1	01-45014	05-04-175	01-45030
10-24119-3	F5B-9003	10-24115-1	1/1	01-42397	05-04-117	01-45031
10-24119-4	F5B-9004	10-24115-1	1/1	01-42397	05-04-117	01-45028
10-24119-5	F5B-9005	10-24115-1	1/1	01-42397	05-04-117	01-45029
10-24119-6	F5B-9006	10-24115-2	1/1	01-42397	05-04-117	01-45030
10-24119-7	F5B-9007	10-24115-3	1/1	01-42397	05-04-117	01-45030

SAE involute splines
SAE involventkugor.
Diametrical pitch 20/40
Pressure angle 30°
Pressvinkel 30°
Number of teeth 13
Antal kuggar 13
Major diameter 17.78 ±0.10
Tanddiameter 17.78 ±0.10
Pitch diameter 16.51
Delningsdiameter 16.51
Minor diameter 14.88 ±0.20
Kärndiameter 14.88 ±0.20

RE	RE
7 10-24119-8	90101
8 10-24119-8	7.12 84
9 10-24119-8	20.11 84
10 10-24119-8	23.6 78
11 10-24119-8	14.9 78
12 10-24119-8	12.9 78
13 10-24119-8	23.8 78

Detail	Amount	Material	Dimension	Ann. w. rth. nr
SPINES COUPLING	20	1	SEE TABLE	SEE TABLE
SPINES COUPLING	19	1	SEE TABLE	SEE TABLE
TOOTHED COUPLING	18	1	SEE TABLE	SEE TABLE
TOOTHED COUPLING	17	1	SEE TABLE	SEE TABLE
WASHER	16	1	05-08-173	05-08-173
BALL BEARING	15	2	12.3 24	05-05-500
O-RING	14	1	18-28-7	05-08-100
LIP SEAL	13	1	SEE TABLE	SEE TABLE
SCREW	12	1	05-05-163	05-05-163
SCREW	11	6	SEE TABLE	SEE TABLE
WEAR PLATE	10	1	01-42399	01-42399
PIN	9	1	01-42400	01-42400
CAM	8	1	01-42401	01-42401
GAS NET	7	1	01-42398	01-42398
END COVER	6	1	01-42416	01-42416
RUBBER WASHER	5	1	08-10278	08-10278
IMPELLER	4	1	01-25022	01-25022
GUIDE	3	1	01-45187	01-45187
SHAFT	2	1	SEE TABLE	SEE TABLE
AXLE	1	1	SEE TABLE	SEE TABLE
PUMPHUS	1	1	SEE TABLE	SEE TABLE

Dimensions in mm.
Mått i mm

Johnson Pump AB
The Johnson Impellerpump
F5B-9, 10-24119

Scale: 1:1