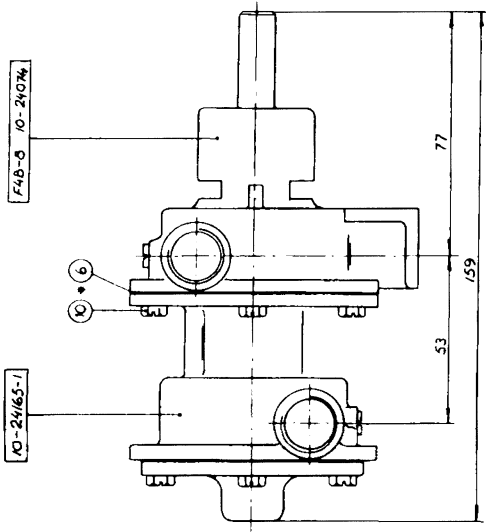
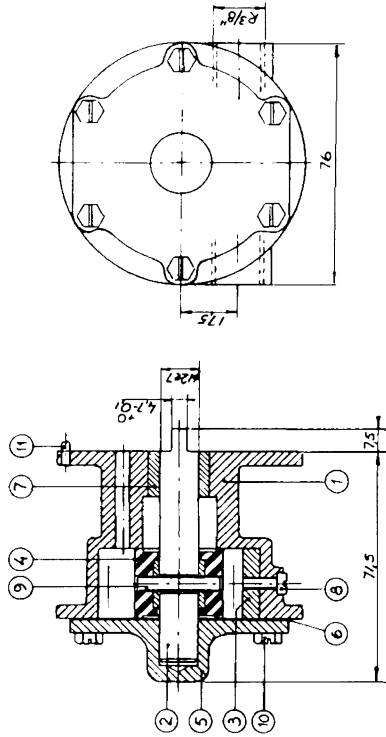


Pumptype	Cam	Screw
Pump No	Cam No	Skriv
Pump nr	Thickess	Skriv
	Tjocklek	Nr
F4B-9	10-24165-1	10-42300
F4B-903	10-24165-2	10-42300
		105-04-115
		105-04-114



* 6 st skruvar och 1st packning levereras separat
 6 pcs screw and 1 pcs gasket will be delivered separately

Part No	Part Name	Material	Description
11	1	Pin	10-42400
10	2	SKRUV	05-34-76
9	1	SKRUV	05-34-74
8	1	SKRUV	05-34-74
7	1	PACKNING	05-34016
6	2	PACKNING	05-34016-3
5	1	LOCK	05-42300
4	1	IMPELLER	05-42300-2
3	1	ARM	05-42300
2	1	ARM	05-42300
1	1	PUMPHUSE	05-24165-4

1	10-24165-2	4/11K	06-08-08	JT
Rev				
Part No				
Part Name				
Material				
Quantity				