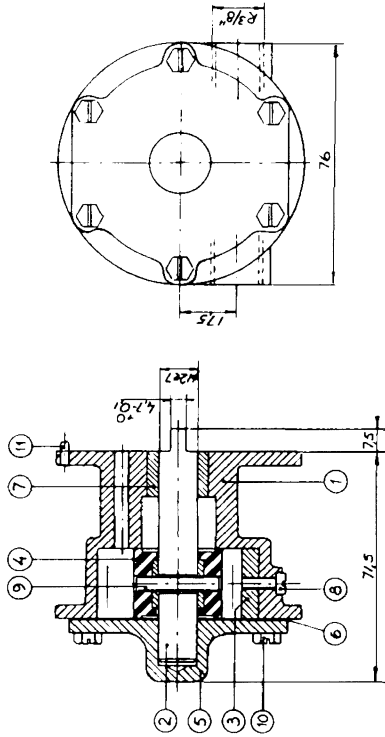
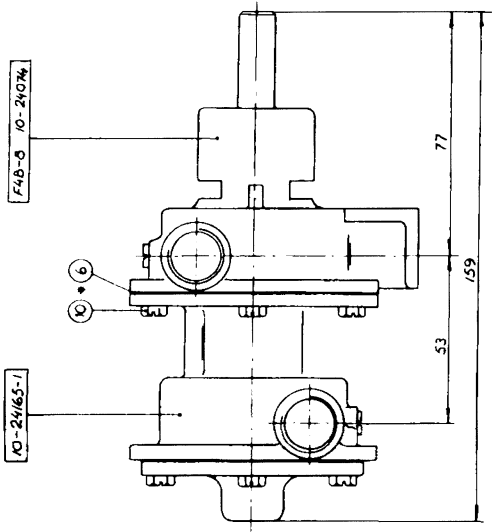


Pumptype	Pump No	Cam	Screw
F4B-9	10-24165-1	10-42300	105-04-115
		10-42300	105-04-115
		10-42300	105-04-115



* 6 st skruvar och 1st packning levereras separat
 6 pcs screw and 1 pcs gasket will be delivered separately

Part No	Qty	Description	Material	Dimension
11	1	Stift	Pin	01-42400
10	2	SKRUV	SCREW	05-34-76
9	1	SKRUV	SCREW	05-34-76
8	1	SKRUV	SCREW	05-34-76
7	1	PACKNING	PACKING	01-42300-3
6	2	PACKNING	PACKING	01-42300-3
5	1	LOCK	LOCK	01-42300-3
4	1	IMPELLER	IMPELLER	01-42300-2
3	1	ÅRELL	IMPELLER	01-42300-2
2	1	ÅRELL	IMPELLER	01-42300-2
1	1	PUMPHUS	IMPELLER	01-42300-2



1	10-24165-2	4/11K	06-08-08	JT
---	------------	-------	----------	----



JOHNSON PUMP

Engine cooling