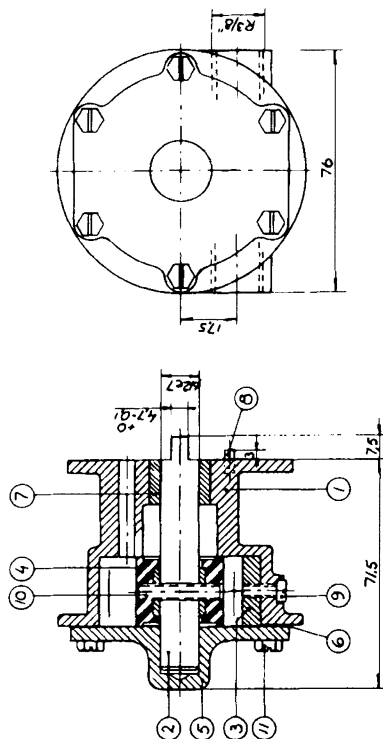
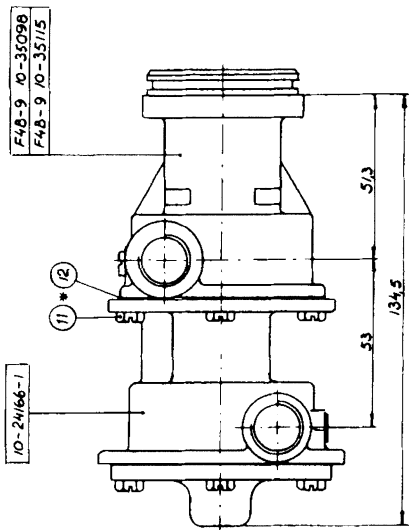


Remodeltype Pumptyp	Ramp No Pump nr	Cam Kaim Thickness Tjocklek	No. NC	Screw Skruv
F4B-9	10-24166-1	5,3	01-42389	05-04-115
F4B-909	10-24166-2	2,3	40 01-49280	03-04-114



\* 6 st. skruvar och 1st packning levereras separat  
 6 pcs screw and 1pc gasket will be delivered separately.

Part No	Part Name	Material	Dimensions
12	1	PACKNING	GASKET
11	2	SKRUV	SCREW
10	1	SKRUV	SCREW
9	1	SKRUV	SCREW
8	2	STUFF	Pin
7	1	BUSHING	Bushing
6	1	PACKNING	GASKET
5	1	LOCK	Endcover
4	1	IMPELLER	Impeller
3	1	KAM	Cam
2	1	AXEL	Shaft
1	1	PUMPKÄRPA	Body

1	10-24166-2	111k	10-09-08	1/1
---	------------	------	----------	-----

10-24166-1	111k	10-09-08	1/1
------------	------	----------	-----