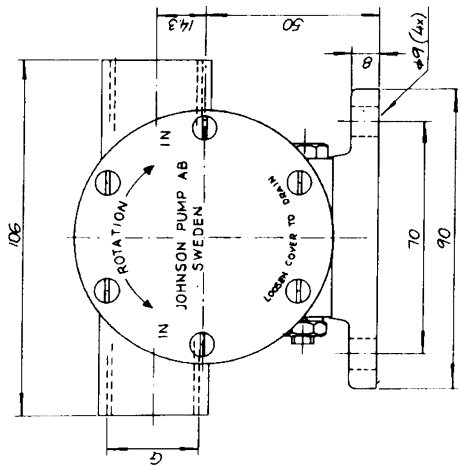
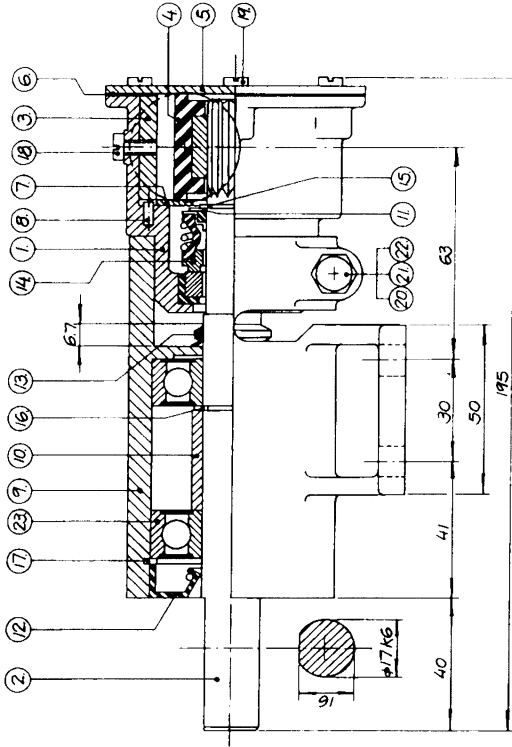


Multipurpose



Pump No. Pump Nr.	Pump type Pumptyp	Impeller Rubberavsl. Gummikval.	Impeller No. Nr.	Cam Thicknes Tjocklek	Cam No. Nr.	Screw Skruv	Body Pumphus	Thread Gänga
10-24210-1	F5B-3000	Negerente	08-1027 B	1/1	4.9	01-42397	01-31927-2	R 3/4"
10-24210-2	F5B-3000	NIT-16	08-1027 B-9	1/2	3.1	01-45014	01-31927-4	3/16"-14 NPTF
10-24210-3	F5B-3020	Negerente	08-1027 B-9	1/1	4.9	05-04-175		
10-24210-4	F5B-3020	NIT-16	08-1027 B-9	1/1	4.9	05-04-175		
10-24210-5	F5B-3000T	Negerente	08-1027 B-9	1/1	4.9	05-04-175		
10-24210-6	F5B-3000T	NIT-16	08-1027 B-9	1/1	4.9	05-04-175		
10-24210-7	F5B-3020T	Negerente	08-1027 B-9	1/1	4.9	05-04-175		
10-24210-8	F5B-3020T	NIT-16	08-1027 B-9	1/1	4.9	05-04-175		

Part No. Del nr.	Description Beskrivning	Material	Impulsion Varvtal
23	Kulager - Balls bearing		05-08-22
22	Mutter - Nut		05-05-115
21	Bricka - Washer		05-01-115
20	Skruv - Screw		05-04-05
19	Skruv - Screw		05-04-115
18	Skruv - Screw		See table
17	Låsring - Retaining ring		05-31-17
16	Låsring - Retaining ring		05-31-17
15	Låsring - Retaining ring		05-31-21
14	Wax tätning - Mech seal		05-34-105
13	Wax tätning - Mech seal		05-34-115
12	Lappstäm - Lips seal		05-19-503
11	Bricka - Washer		05-01-121
10	Distansstycke - Spacer		01-45170
9	Lagerbox - Bearing housing		01-24208
8	Stift - Pin		01-42400
7	Stiftbricka - Wear plate		01-42399
6	Låsring - Retaining ring		01-42401
5	Lock - End cover		01-42398
4	Impeller		See table
3	Kam - Cam		See table
2	Axel - Shaft		01-35177
1	Pumphus - Body		See table

Johnson Pump AB  
 Type F5B-3000  
 Scale 1:1  
 Date 85-02-25  
 Drawn by [Signature]  
 Checked by [Signature]  
 Approved by [Signature]