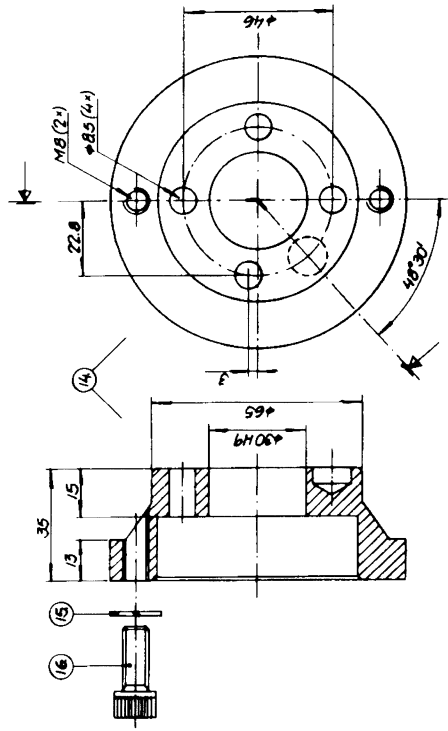
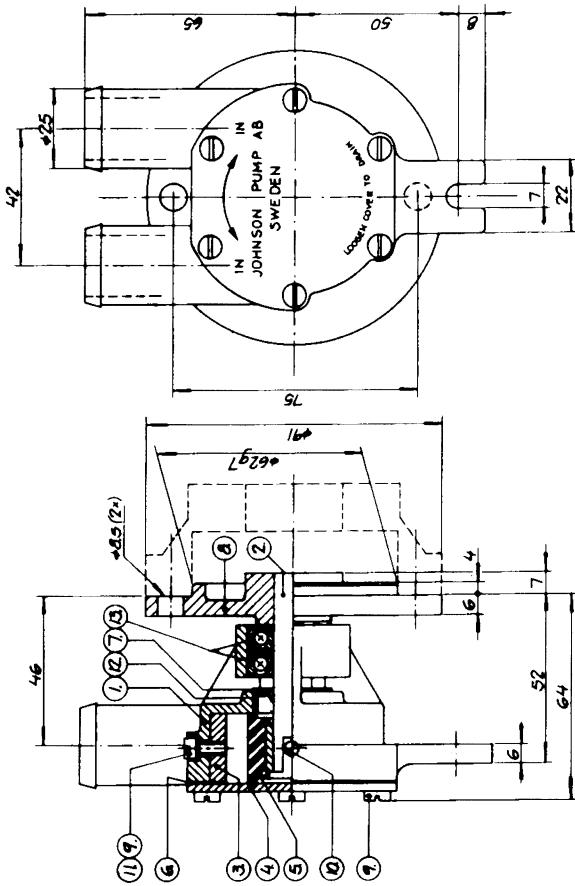


article number 10-24214 pump F4B-9



Part No.	Part Name	Quantity	Material
10-24214-1	Pump housing	1	Cast iron
10-24214-2	Impeller	1	Cast iron
10-24214-3	Impeller nut	1	Cast iron
10-24214-4	Impeller washer	1	Cast iron
10-24214-5	Impeller lock washer	1	Cast iron
10-24214-6	Impeller lock screw	1	Cast iron
10-24214-7	Impeller lock nut	1	Cast iron
10-24214-8	Impeller lock washer	1	Cast iron
10-24214-9	Impeller lock screw	1	Cast iron
10-24214-10	Impeller lock nut	1	Cast iron
10-24214-11	Impeller lock washer	1	Cast iron
10-24214-12	Impeller lock screw	1	Cast iron
10-24214-13	Impeller lock nut	1	Cast iron
10-24214-14	Impeller lock washer	1	Cast iron
10-24214-15	Impeller lock screw	1	Cast iron
10-24214-16	Impeller lock nut	1	Cast iron

Carrier complete - Medbringare komplett 09-45804

Pump no. 10-24214-1-6

Service kit 09-45872

Pos.	Qty.	Description	Material	Dimension	Drawing no.
16	2	Screw	Stålv		See table
15	1	Washer	Stålv		See table
14	1	Adapter	Stålv		See table
13	2	Impeller	Stålv		See table
12	1	Impeller nut	Stålv		See table
11	1	Impeller washer	Stålv		See table
10	1	Impeller lock screw	Stålv		See table
9	1	Impeller lock nut	Stålv		See table
8	1	Impeller lock washer	Stålv		See table
7	1	Impeller lock screw	Stålv		See table
6	1	Impeller lock nut	Stålv		See table
5	1	Impeller lock washer	Stålv		See table
4	1	Impeller lock screw	Stålv		See table
3	1	Impeller lock nut	Stålv		See table
2	1	Impeller lock washer	Stålv		See table
1	1	Impeller lock screw	Stålv		See table

Johnson Impellerpump  
Type F4B-9, 10-24214

This pump is the property of Johnson Pump AB. It is not to be used for any other purpose than intended. The user is responsible for the correct use of the pump. The user is also responsible for the correct use of the pump. The user is also responsible for the correct use of the pump.