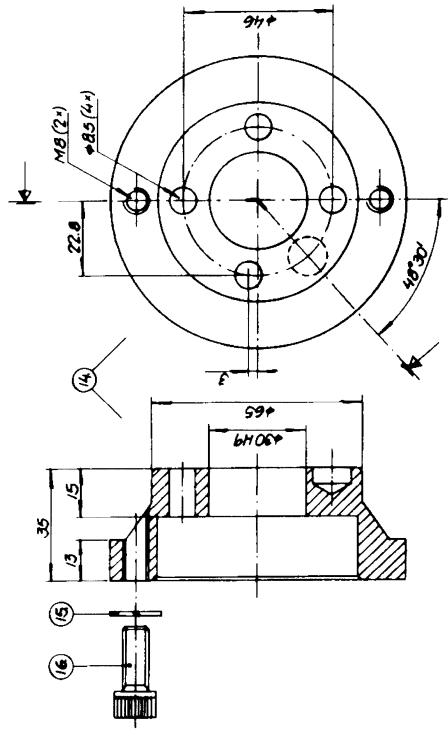
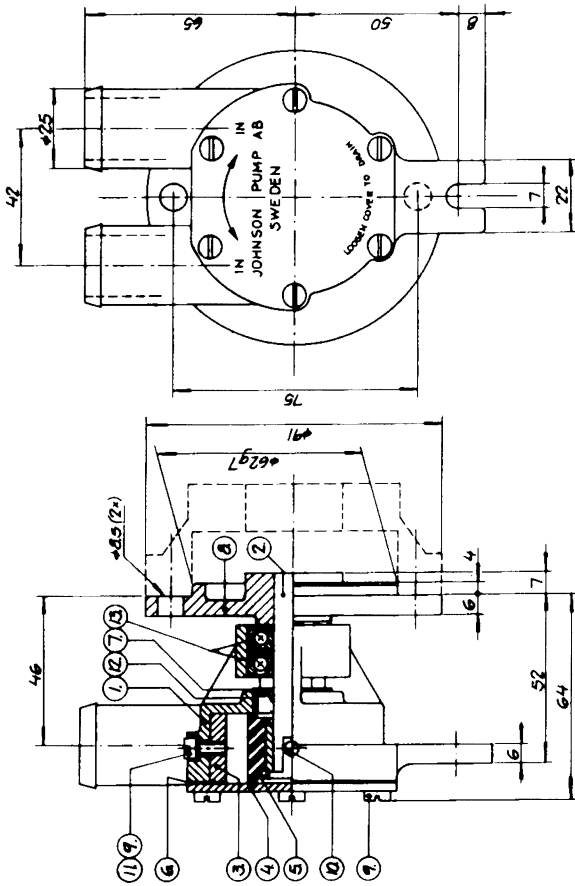


article number 10-24214 pump F4B-9



Part No.	Part Name	Quantity	Material
10-24214-1	Pump No. Amplyph	1	F4B-9
10-24214-2	Washer	2	F4B-903
10-24214-3	Washer	2	F4B-902
10-24214-4	Washer	1	F4B-9
10-24214-5	Washer	1	F4B-903
10-24214-6	Washer	2	F4B-902
01-45660	Cam	1	01-45660
01-45661	Thickness	1	01-45661
01-45662	Thickness	1	01-45662
01-45663	Thickness	1	01-45663
01-45664	Thickness	1	01-45664
01-45665	Thickness	1	01-45665
01-45666	Thickness	1	01-45666
01-45667	Thickness	1	01-45667
01-45668	Thickness	1	01-45668
01-45669	Thickness	1	01-45669
01-45670	Thickness	1	01-45670

Pos.	Qty.	Description	Material	Dimension	Drawing no.
16	2	Screw	Stålv		See table
15	1	Washer	Stålv		See table
14	1	Adapter	Stålv		See table
13	2	Washer	Stålv		See table
12	1	Ball bearing	Stålv		See table
11	1	Washer	Stålv		See table
10	1	Screw	Stålv		See table
9	1	Washer	Stålv		See table
8	1	Washer	Stålv		See table
7	1	Washer	Stålv		See table
6	1	Washer	Stålv		See table
5	1	Washer	Stålv		See table
4	1	Washer	Stålv		See table
3	1	Washer	Stålv		See table
2	1	Washer	Stålv		See table
1	1	Body	Stålv		See table

Carrier complete - Medbringare komplett 09-45804
 Pump no. 10-24214-1-6
 Service kit 09-45872

This pump is the property of Johnson Pump AB. It is not to be used for any other purpose than intended. The user is responsible for the correct use of the pump. The user is also responsible for the correct use of the pump. The user is also responsible for the correct use of the pump.

109-45804, 09-45872 HILK
 860515 TE
 Date: 11/11/88