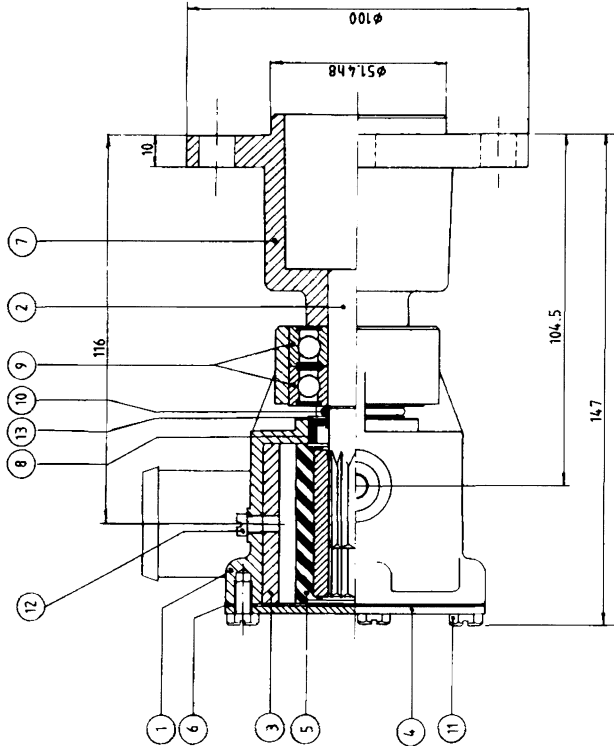
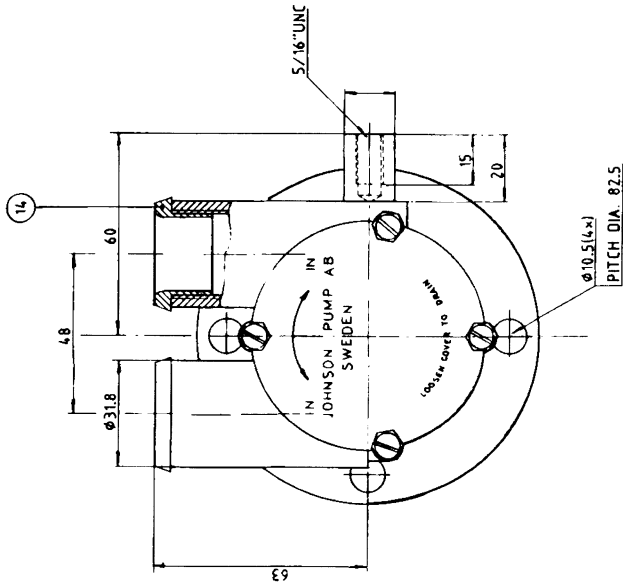


article number 10-24316 pump F6B-9

Upper Devs	0	Lower Devs	-0.046
Ø514h8			



1	IMEDBRINGARE KOMPL. - CARRIER COMPL.	09-45972
1	SERVICE KIT	09-45825
14	2 SLANGBUSSNING - TUBERUSHING	01-45953
13	1 BRICKA - WASHER	01-45680
12	1 SKRUV - SCREW	SEE TABLE
11	4 SKRUV - SCREW	05-04-550
10	1 O-RING	05-06-501
9	2 KULLAGER - BALLBEARING	05-08-128
8	1 LAPPTÄTNING - LIPSEAL	05-29-515
7	1 IMEDBRINGARE - CARRIER	01-35283
6	1 PÅKNING - GASKET	01-45315
5	1 IMPELLER	08-0178
4	1 LOCK - ENDCOVER	01-45312-1
3	1 KAM - CAM	SEE TABLE
2	1 AXEL - SHAFT	SEE TABLE
1	1 PUMPHUS - BODY	01-45681
	1 PUMPHUS - BODY	01-24231-1

PUMP NO. PUMP NR.	PUMPTYPE PUMPTYP	CAM - KAM THICKNESS TJOCKLEK	NR	SCREW SKRUV
10-24316-01	F6B-9	1/1	4.9	01-45670
10-24316-02	F6B-902	1/2	3.1	01-45687
				05-04-174
				05-04-175

100	PO2	04	10-24231-1	Kar	-01	900802	RE	/PJ
10-24231-1	10-24231-1	10-24231-1	10-24231-1	10-24231-1	10-24231-1	10-24231-1	10-24231-1	10-24231-1