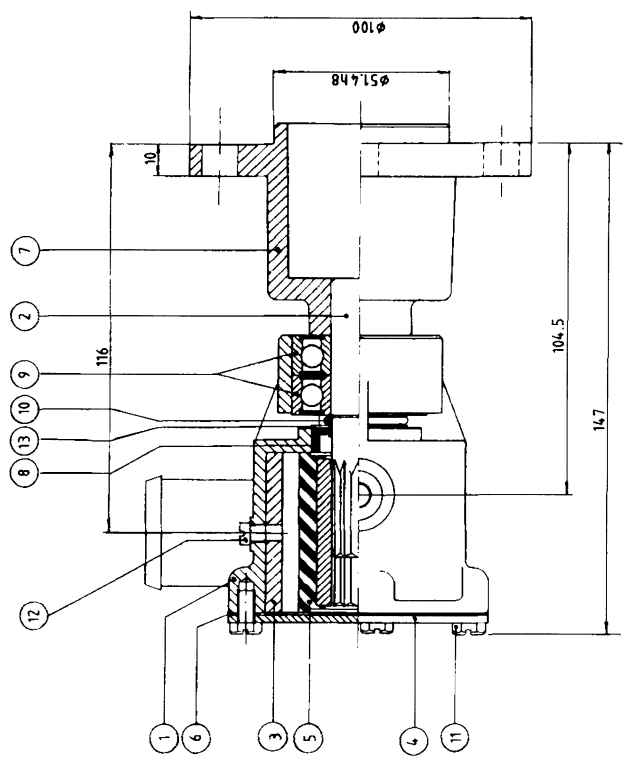
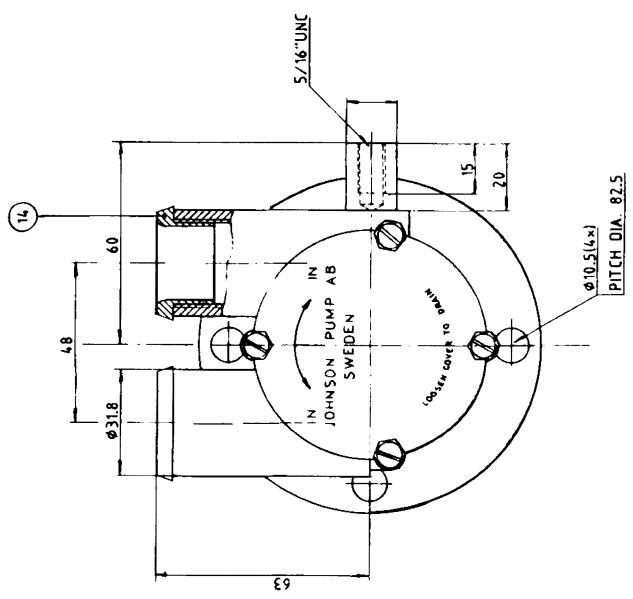


article number 10-24316 pump F6B-9

Ø514h8	0	-0.046
--------	---	--------



1	IMEDBRINGARE KOMPL. - CARRIER COMPL.	09-45972
1	SERVICE KIT	09-45825
14	SLANGBUSSNING - TUBERUSHING	01-45953
12	BRICKA - WASHER	01-45680
17	SKRUV - SCREW	SEE TABLE
11	SKRUV - SCREW	05-04-550
10	O-RING	05-06-501
9	KULLAGER - BALLBEARING	05-08-128
8	LAPPTÄNING - LIPSEAL	05-29-515
7	IMEDBRINGARE - CARRIER	01-35283
6	PACKNING - GASKET	01-45315
5	IMPELLER	08-0178
4	LOCK - ENDCOVER	01-45312-1
3	KAM - CAM	SEE TABLE
2	AXEL - SHAFT	01-45681
1	PUMPHUS - BODY	01-24231-1

PUMP NO. PUMP NR.	PUMPTYPE PUMPTYP	CAM - KAM THICKNESS TJOCKLEK	NR	SCREW SKRUV
10-24316-01	F6B-9	1/1	4.9	01-45670
10-24316-02	F6B-902	1/2	3.1	01-45687
				05-04-174
				05-04-175

100	PO2	04	10-24231-1	Kar	-01	900802	RE	PJ
100	100	100	100	100	100	100	100	100