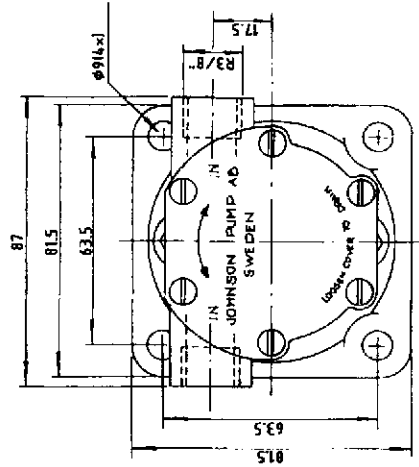
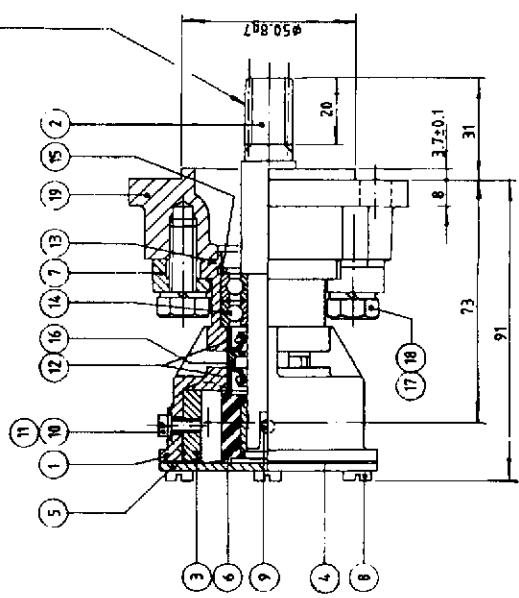


50.8a7	-0.010	-0.020
--------	--------	--------

SPLINE SPECIFICATION	
NO. OF TEETH	12
MODULE	1.0
MAJOR DIA.	16
MINOR DIA.	14
PRESSURE ANGLE	20°



* 1	Service MR	09-45866
19 1	Mellanfångs - Adapter	01-35287-1
19 2	Bräcka - Washer	05-04-101
17 2	Skruv - Screw	05-04-671
18 1	Distansbuckla - Spacer	01-45955
16 1	Lagring - Retaining ring	05-04-131
14 2	Kullager - Ballbearing	05-08-503
13 1	O-ring	05-08-521
12 2	Lappning - Lipsal	05-29-139
11 1	Bräcka - Washer	See Table
10 1	Skruv - Screw	See Table
9 1	Skruv - Screw	05-04-126
8* 6	Skruv - Screw	05-04-163
7 2	Klamra - Clamp	01-43238
6* 1	Impeller	08-80-8
5 1	Lock - Endcover	01-45282
4* 1	Packning - Gasket	01-45284
3 1	Kam - Cam	See Table
2 1	Axel - Shaft	01-35293
1 1	Pumphus - Body	01-35239

PUMP NO.	PUMPTYPE	CAM NO.	THICKNESS	SCREW NO.	WASHER NO.	PCS.	
10-24321-01	F4B-9	01-42389	1/1	5.3	05-04-114	05-01-120	1
10-24321-02	F4B-903	01-45288	2/3	4.0	05-04-163		2
10-24321-03	F4B-902	01-45084	1/2	2.5	05-04-163		2

10-24321-01	F4B-9	01-42389	1/1	5.3	05-04-114	05-01-120	1
-------------	-------	----------	-----	-----	-----------	-----------	---