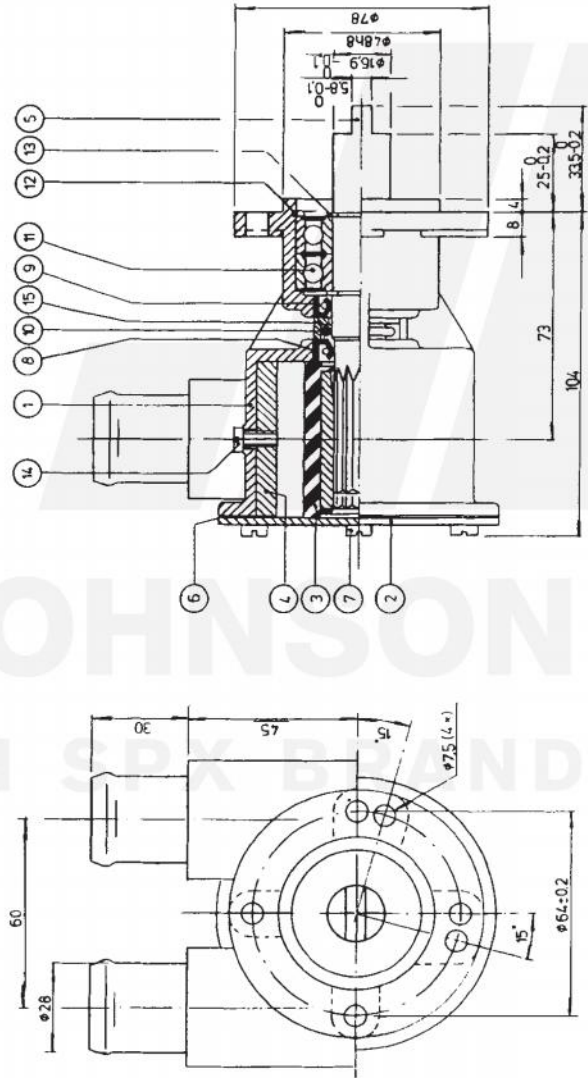


Approved for Release	Approved for Release
Approved for Release	Approved for Release
Approved for Release	Approved for Release
Approved for Release	Approved for Release

TYP-PUMPNR. TILLY-ÄR + VECKA ŠTÄMPLAŠ PÅ LOCKET.



DRAWING NO.	PUMP NO./ PARTS LIST	PUMPTYPE
03-24386	10-24386-01	F7B-9

PART NO'S ACCORDING TO PARTS LIST

003	P03	Andring vx-40x34x0,2	950827	16	PJ
008	P04	8,5x4x0,2	94017	14	AN
	P01	VOA A01	900703	25	RJ
004	003				

Part No. / Part Name	Material	Quantity	Remarks
003 P03	Steel	16	Washer
008 P04	Steel	14	Washer
004 003	Steel		
001 P01	Steel	1	Impeller
002 P02	Steel	1	Impeller Nut
003 P03	Steel	1	Impeller Washer
004 P04	Steel	1	Impeller Lock Washer
005 P05	Steel	1	Impeller Lock Nut
006 P06	Steel	1	Impeller Lock Washer
007 P07	Steel	1	Impeller Lock Nut
008 P08	Steel	1	Impeller Lock Washer
009 P09	Steel	1	Impeller Lock Nut
010 P10	Steel	1	Impeller Lock Washer
011 P11	Steel	1	Impeller Lock Nut
012 P12	Steel	1	Impeller Lock Washer
013 P13	Steel	1	Impeller Lock Nut
014 P14	Steel	1	Impeller Lock Washer
015 P15	Steel	1	Impeller Lock Nut
016 P16	Steel	1	Impeller Lock Washer
017 P17	Steel	1	Impeller Lock Nut
018 P18	Steel	1	Impeller Lock Washer
019 P19	Steel	1	Impeller Lock Nut
020 P20	Steel	1	Impeller Lock Washer
021 P21	Steel	1	Impeller Lock Nut
022 P22	Steel	1	Impeller Lock Washer
023 P23	Steel	1	Impeller Lock Nut
024 P24	Steel	1	Impeller Lock Washer
025 P25	Steel	1	Impeller Lock Nut
026 P26	Steel	1	Impeller Lock Washer
027 P27	Steel	1	Impeller Lock Nut
028 P28	Steel	1	Impeller Lock Washer
029 P29	Steel	1	Impeller Lock Nut
030 P30	Steel	1	Impeller Lock Washer
031 P31	Steel	1	Impeller Lock Nut
032 P32	Steel	1	Impeller Lock Washer
033 P33	Steel	1	Impeller Lock Nut
034 P34	Steel	1	Impeller Lock Washer
035 P35	Steel	1	Impeller Lock Nut
036 P36	Steel	1	Impeller Lock Washer
037 P37	Steel	1	Impeller Lock Nut
038 P38	Steel	1	Impeller Lock Washer
039 P39	Steel	1	Impeller Lock Nut
040 P40	Steel	1	Impeller Lock Washer
041 P41	Steel	1	Impeller Lock Nut
042 P42	Steel	1	Impeller Lock Washer
043 P43	Steel	1	Impeller Lock Nut
044 P44	Steel	1	Impeller Lock Washer
045 P45	Steel	1	Impeller Lock Nut
046 P46	Steel	1	Impeller Lock Washer
047 P47	Steel	1	Impeller Lock Nut
048 P48	Steel	1	Impeller Lock Washer
049 P49	Steel	1	Impeller Lock Nut
050 P50	Steel	1	Impeller Lock Washer
051 P51	Steel	1	Impeller Lock Nut
052 P52	Steel	1	Impeller Lock Washer
053 P53	Steel	1	Impeller Lock Nut
054 P54	Steel	1	Impeller Lock Washer
055 P55	Steel	1	Impeller Lock Nut
056 P56	Steel	1	Impeller Lock Washer
057 P57	Steel	1	Impeller Lock Nut
058 P58	Steel	1	Impeller Lock Washer
059 P59	Steel	1	Impeller Lock Nut
060 P60	Steel	1	Impeller Lock Washer
061 P61	Steel	1	Impeller Lock Nut
062 P62	Steel	1	Impeller Lock Washer
063 P63	Steel	1	Impeller Lock Nut
064 P64	Steel	1	Impeller Lock Washer
065 P65	Steel	1	Impeller Lock Nut
066 P66	Steel	1	Impeller Lock Washer
067 P67	Steel	1	Impeller Lock Nut
068 P68	Steel	1	Impeller Lock Washer
069 P69	Steel	1	Impeller Lock Nut
070 P70	Steel	1	Impeller Lock Washer
071 P71	Steel	1	Impeller Lock Nut
072 P72	Steel	1	Impeller Lock Washer
073 P73	Steel	1	Impeller Lock Nut
074 P74	Steel	1	Impeller Lock Washer
075 P75	Steel	1	Impeller Lock Nut
076 P76	Steel	1	Impeller Lock Washer
077 P77	Steel	1	Impeller Lock Nut
078 P78	Steel	1	Impeller Lock Washer
079 P79	Steel	1	Impeller Lock Nut
080 P80	Steel	1	Impeller Lock Washer
081 P81	Steel	1	Impeller Lock Nut
082 P82	Steel	1	Impeller Lock Washer
083 P83	Steel	1	Impeller Lock Nut
084 P84	Steel	1	Impeller Lock Washer
085 P85	Steel	1	Impeller Lock Nut
086 P86	Steel	1	Impeller Lock Washer
087 P87	Steel	1	Impeller Lock Nut
088 P88	Steel	1	Impeller Lock Washer
089 P89	Steel	1	Impeller Lock Nut
090 P90	Steel	1	Impeller Lock Washer
091 P91	Steel	1	Impeller Lock Nut
092 P92	Steel	1	Impeller Lock Washer
093 P93	Steel	1	Impeller Lock Nut
094 P94	Steel	1	Impeller Lock Washer
095 P95	Steel	1	Impeller Lock Nut
096 P96	Steel	1	Impeller Lock Washer
097 P97	Steel	1	Impeller Lock Nut
098 P98	Steel	1	Impeller Lock Washer
099 P99	Steel	1	Impeller Lock Nut
100 P100	Steel	1	Impeller Lock Washer

**F7B-9 Impeller pump**  
**Art. No. 10-24386-01**

Service Kit No. 09-45592

Part no.	Description GB	Position	Quantity
04-46194-01	BODY F7B-9	1	1
01-42441	ENDCOVER F7B-	2	1
08-1028B	IMPELLER	3	1
01-42679	CAM 1/1 F7B/F70B	4	1
01-46195	SHAFT F7B-9	5	1
01-42445	GASKET F4B/F7B-	6	1
0.0279.033	SCREW M5X8 ISO1207 BRASS	7	6
0.2233.001	LIP SEAL 16X28X7 DPSM	8	1
0.2234.482	OIL SEAL 17X28X7 DIN3760A R NBR	9	1
0.2173.402	O-RING 15.3X2.4 SS1586 NBR70	10	1
0.3431.742	BALL BEARING 6203 2 RS1 ST	11	2
0.0371.040	RETAIN. RING BORE D40 DIN472 SPRST	12	1
0.0370.017	EXT. CIRCLIP D17 DIN471 ST	13	2
01-46794-01	SCREW 12-24UNCX9.5 BRASS	14	1
01-45181	WASHER F5/F7B-9	15	1