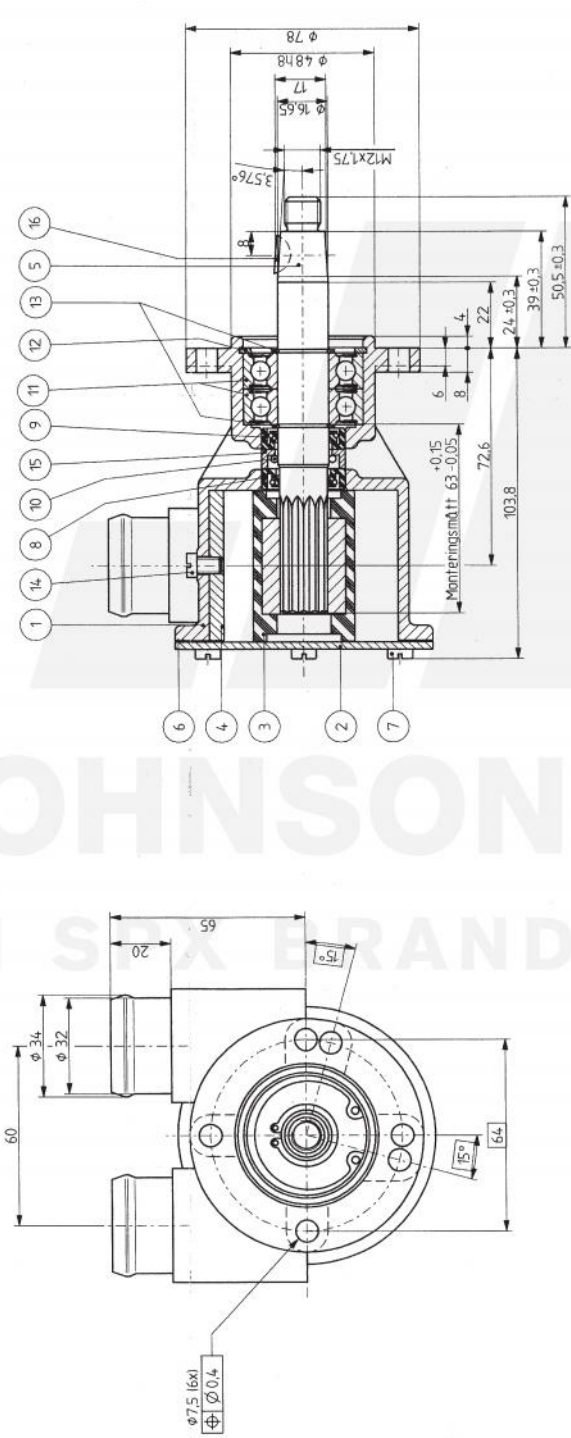


JOHNSON PUMP
AN SPX BRAND



**Customer
Branded**

Projekt: 2581

NO. 10	REV. 01	DATE	DESCRIPTION
			Den 01 sept 1978

JOHNSON PUMP
 ÖRSBÖ - SWEDEN
 TRN 1778

970102 AN 1:1
 03-24542
 P01

Ritning nr	03-24542	Pump nr / Drawing no	10-24542-01	Pump typ / Pump type	F7B-903	Märkning på lock / Mark on endcover	Pump typ / Pump type	F7B-903
Dröjnings nr / Drawing no	10-24542-01	Pump nr / Pump no	10-24542-01	Pump typ / Pump type	F7B-903	Märkning på lock / Mark on endcover	Pump typ / Pump type	F7B-903

Pump typ - pump nr + tillv. år + veckon
 Pump type - pump no + man. year + week

Detaljn enligt stycklista
 Part nos according to parts list

1678	P01	A1	P01 var. A02	986608	LU
	A02		Monteringsmitt tillkom	970204	AN

NO. 10	REV. 01	DATE	DESCRIPTION
			Den 01 sept 1978

JOHNSON PUMP
 ÖRSBÖ - SWEDEN
 TRN 1778

970102 AN 1:1
 03-24542
 P01

F7B-903 Impeller pump

Art. No. 10-24542-01

Service Kit No. 09-45592

Part no.	Description GB	Position	Quantity
01-24125-2	BODY F7B-9	1	1
01-42441	ENDCOVER F7B-	2	1
08-1028B	IMPELLER	3	1
01-42442	CAM 2/3 F7B/F70B	4	1
01-46674	SHAFT F7B-903	5	1
01-42445	GASKET F4B/F7B-	6	1
0.0138.987	TAP BOLT M 5X8 M DIN933 A2-70	7	6
0.2233.001	LIP SEAL 16X28X7 DPSM	8	1
0.2234.482	OIL SEAL 17X28X7 DIN3760A R NBR	9	1
0.2173.402	O-RING 15.3X2.4 SS1586 NBR70	10	1
0.3431.742	BALL BEARING 6203 2 RS1 ST	11	2
0.0371.040	RETAIN. RING BORE D40 DIN472 SPRST	12	1
0.0370.017	EXT. CIRCLIP D17 DIN471 ST	13	2
01-46794-07	SCREW 12-24UNCX8 BRASS	14	1
01-45181	WASHER F5/F7B-9	15	1
0.0503.027	WOODRUFFKEY 3X4.8X13 ST	16	1