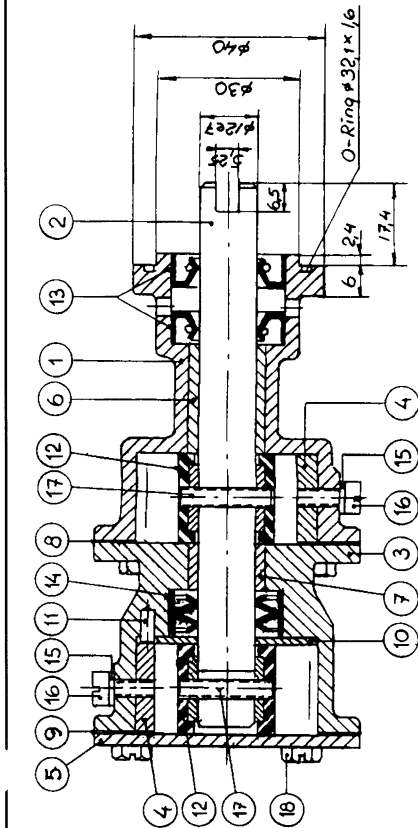
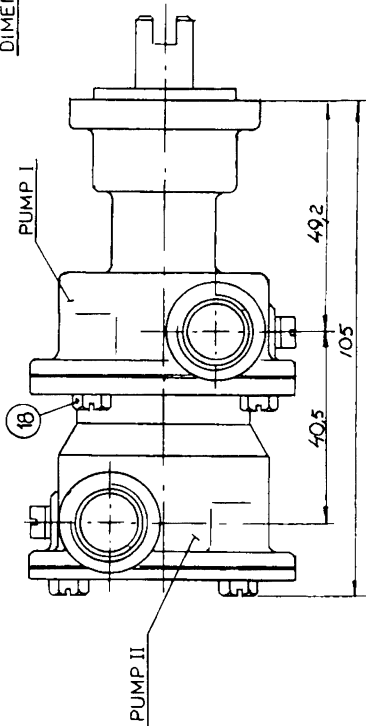


Part No. Det. nr. Anl.	Description Benämning	Material	Dimension
18	8 SCREW SKRUV		05-04-176
17	2 SCREW SKRUV		05-04-123
16	2 SCREW SKRUV		05-04-114
15	2 WASHER BRICKA		05-01-120
14	1 LIP SEAL LÄPPTÄTNING		05-29-502
13	2 LIP SEAL LÄPPTÄTNING		05-29-139
12	2 IMPELLER IMPELLER		08-808 B
11	1 PIN STIFT		01-42400
10	1 WEARPLATE SLITBRICKA		01-45087
9	1 GASKET PÅCKNING		SEE TABLE
8	1 GASKET PÅCKNING		SEE TABLE
7	1 BUSHING BUSSNING		01-45110
6	1 BUSHING BUSSNING		01-43131
5	1 ENDCOVER LOCK		01-43239
4	2 CAM KAM		01-42910
3	1 BODY PUMPHUS		01-35062-1
2	1 SHAFT AXEL		01-45109
1	1 BODY PUMPHUS		SEE TABLE



DIMENSIONS IN mm.



PUMP NO	HANDLING		
	PUMP I	PUMP II	BODY ①
10-35065-1	Seawater	Seawater	GASKET ⑧ 01-43240 l=0,15
- II - 2	Seawater	Seawater	01-32411
- II - 3	Closed fresh-water system	Seawater	01-35026
- II - 4	Closed fresh-water system	Seawater	01-32411
- II - 5	Seawater	Closed fresh-water system	01-35026
- II - 6	Seawater	Closed fresh-water system	01-32411

This drawing is the property of J.P. Protected in accordance with prevailing law. Denna ritning är J.P.'s egendom. Skyddad enligt gällande lag.

JOHNSON PUMP AB
OREBRO SWEDEN
Tel. 019/11 95 50

Scale Skala 1:1
Date Datum 81-10-27
Sign. AH

Title Titel JOHNSON IMPELLERPUMP
TYPE F35B/F35B-9 COOLING/COOLING

Part No. Det. nr. Anl. 10-35065-1
Draw No. Rit. nr. 10-35065-1

PO2	Områd, pos 3-6 tillkommit	81-10-27	AH
32	1 Div. ändr. enl. AM 92	79-09-05	JT
Rev. No. Ändr. nr.	Revision	Date Datum	Sign.