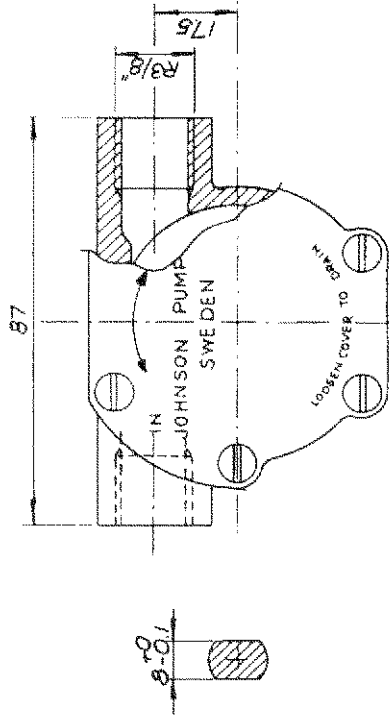
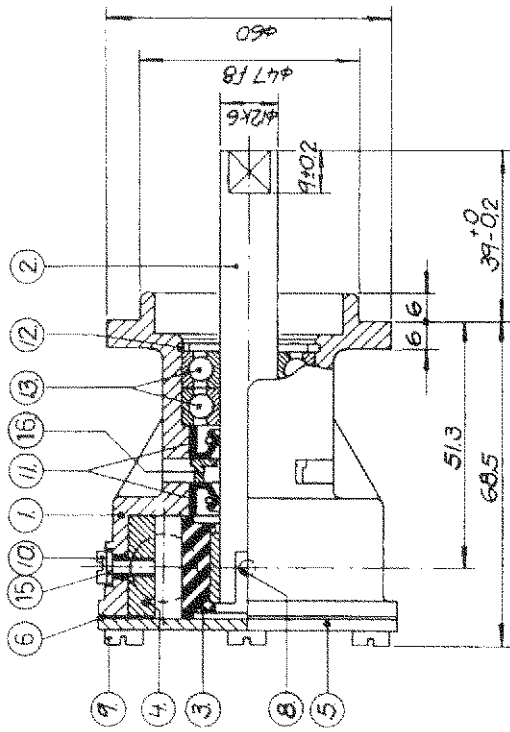
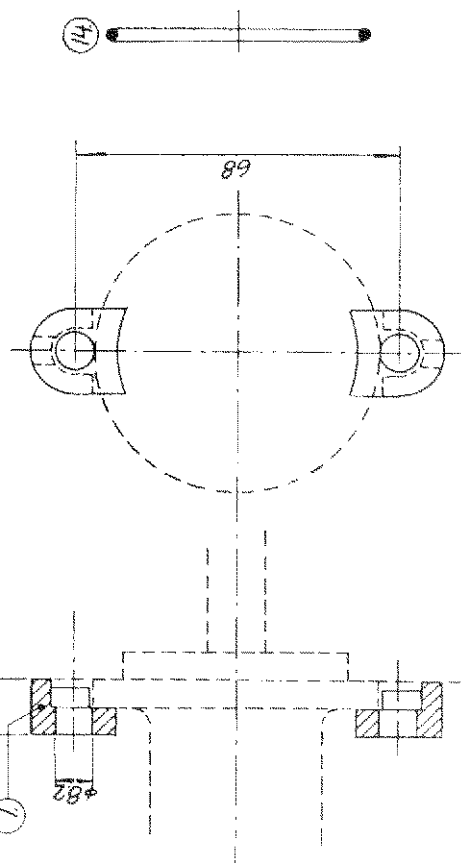


Pump nr. 10-35167 tillhör och vecka stämpas på locket



PUMP NO.	PUMPTYPE	CAM	SCREW	WASHER	NOS
PUMP NR.	PUMPTYP	KAM	SKRUV	BRICKA	ANTAL
10-35167-1	F4B	01-42389	05-04-114	05-01-120	1
10-35167-2	F4B-902	01-45084	05-04-163	05-01-120	2
10-35167-3	F4B-903	01-45288	05-04-114	05-01-120	1



Part No.	Description	Material	Dimension	Draw No.
Del nr.	Beskrivning			Rit nr.
16	Distansbricka - Spacer			01-45955
15	Bricka - Washer			See table
14	O-ring		496.2.4	05-06-523
13	Kulbägar - Ballbearing			05-08-503
12	Låsring - Retaining ring			05-34-131
11	Lappbådn - Lipseal			05-29-139
10	SKRUV - Screw			See table
9	SKRUV - Screw			05-04-163
8	SKRUV - Screw			05-04-124
7	Klamma - Clamp			01-43238
6	Packning - Gasket			01-45284
5	Lock - Endcover			01-45282
4	Kam - Cam			See table
3	Impeller			08-810 B
2	Axel - Shaft			01-45569
1	Pumprhus - Body			01-35099-2

This drawing is the property of J.P. Protected in accordance with prevailing law. Denning rättslig skydd genom Sveriges emilj gällande lag.

Tolerance unless otherwise noted
Tolerans där ej annat anges

Unmachined surfaces
Orebehandlade ytor

Sharp edges broken
Skarpa kanter brytas

Burrs not permitted
Bastäckor ej tillåtna

Grader initials etc
S i 1:17.2

Radius unless otherwise noted
Radie där ej annat anges

Detail: 82-12-07

Scale 1:1

Sign. J.C.

The Title Johnson Impeller pump

Draw No 10-35167/P04

JOHNSON PUMP AB

ÖREBRO SWEDEN

10-35167-3-01

Rev. No.	Revision	Date	Sign.
203	P04	950628/16	
134	P03	860917/16	
2	05-01-120.05-04-114	840206/LS	
1	10-35167-3	83-1027/LS	