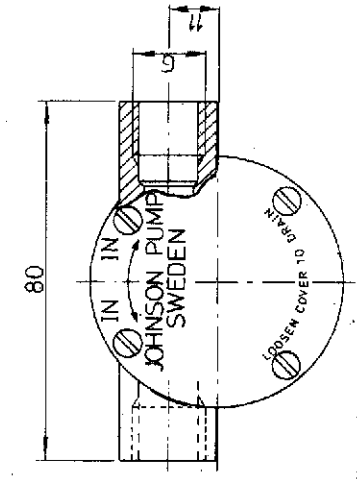
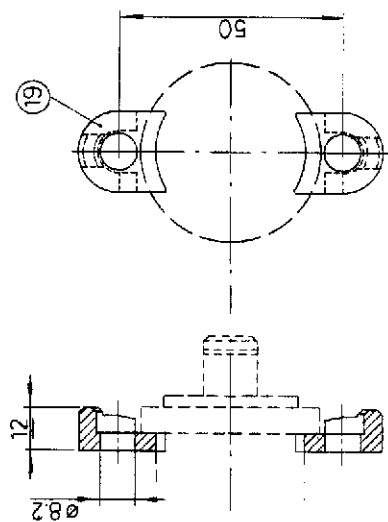
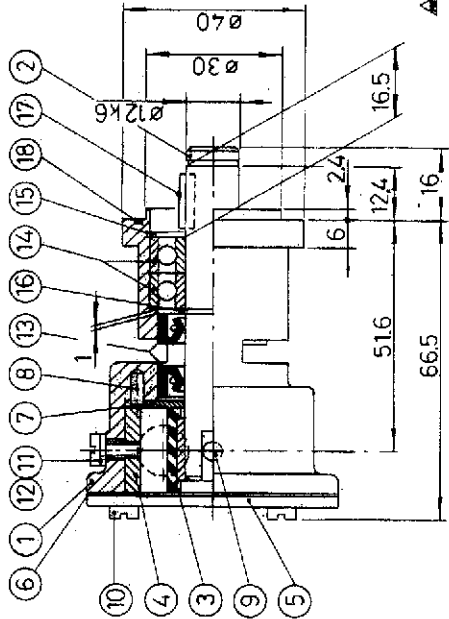


TYPE NR, ILLV, ÅR OCH VECKA STÄMPLAS PÅ LOCKET



Pump no	Ball bearing	G	Pumpfus
10-35187-1	05-08-503	ISO 7/1-Rp 3/8	01-35096-2
10-35187-2	05-08-130	ISO 7/1-Rp 3/8	01-35096-2
10-35187-3	05-08-130	3/8-18 NPTF	01-35096-4



Part No.	No.	Antal	Description	Material	Dimension
1	1	1	Pumpfus	See table/See table	01-43238
2	1	1	Impeller	08-808B	05-06-521
3	1	1	Cam	05-03-521	05-34-501
4	1	1	Lock	05-04-114	05-29-139
5	1	1	Endcover	05-04-163	05-01-120
6	1	1	Gasket	05-04-123	05-04-163
7	1	1	Wear plate	01-42400	01-42400
8	1	1	Pin	01-45087	01-45087
9	1	1	Skriv	01-43240	01-43240
10	4	4	Skriv	01-43239	01-43239
11	1	1	Bricka	01-42910	01-42910
12	1	1	Washer	08-808B	08-808B
13	2	2	Lipplätning	01-45669	01-45669
14	2	2	Kullager	See table/See table	See table/See table
15	1	1	Låsring		
16	1	1	Retaining ring		
17	1	1	Key		
18	1	1	O-ring		
19	2	2	Klamma		

Rev. No.	Ändring av lockstämpel	930628	1/6	PJ
357 P04	10-35187-3 tillkom	940314	AN	PJ
244 P03	10-35187-2 tillkom	930301	PJ	NR
P02	12.4 was 11.9	84-11-19	Jt	
1	Key 05-03-521 was 05-03-505	84-08-15	Jt	
Rev. No.	Ändring	Revision	Datum	Sign.

Title	Scale	Draw No.
JOHNSON IMPELLERPUMP	1:1	10-35187/PO.5
TYPE F35B-9		

JOHNSON PUMP AB
ÖREBRO SWEDEN
Tel. 019.11.35.30

Part No.	Description	Material	Dimension
1	Pumpfus	See table/See table	01-43238
2	Impeller	08-808B	05-06-521
3	Cam	05-03-521	05-34-501
4	Lock	05-04-114	05-29-139
5	Endcover	05-04-163	05-01-120
6	Gasket	05-04-123	05-04-163
7	Wear plate	01-42400	01-42400
8	Pin	01-45087	01-45087
9	Skriv	01-43240	01-43240
10	Skriv	01-43239	01-43239
11	Bricka	01-42910	01-42910
12	Washer	08-808B	08-808B
13	Lipplätning	01-45669	01-45669
14	Kullager	See table/See table	See table/See table
15	Låsring		
16	Retaining ring		
17	Key		
18	O-ring		
19	Klamma		