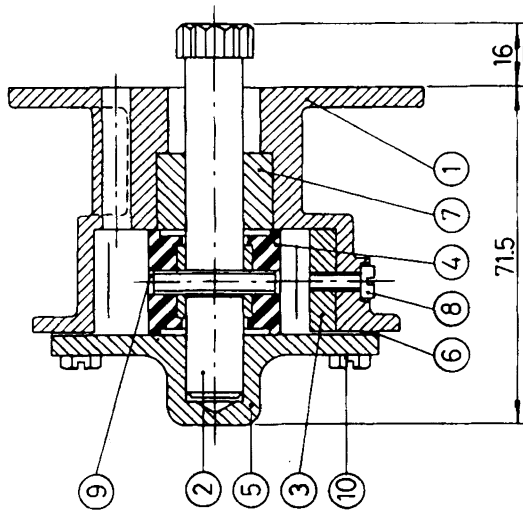
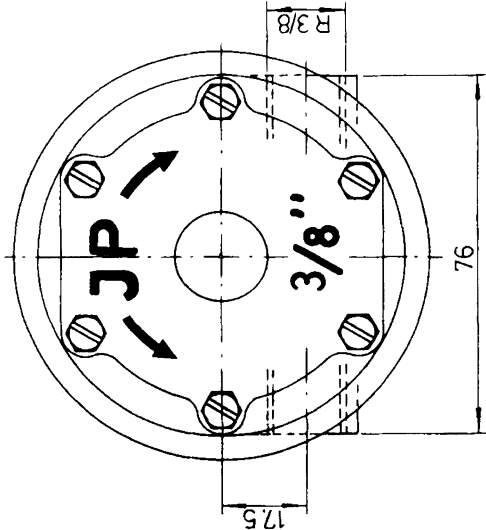
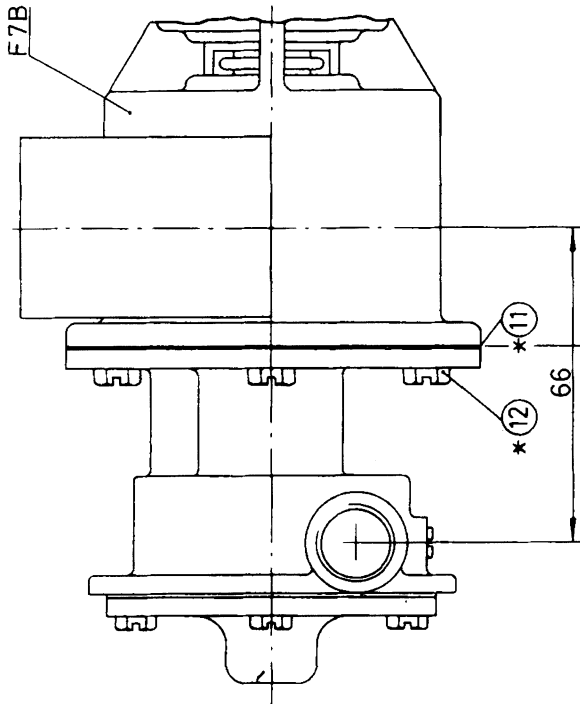




\* 6+6pcs screws and 1pcs gasket will be delivered separately.  
 6+6st skruvar och 1st packning levereras separat.



Mark on endcover Märkning på lock	Pump no. Pump nr.	Cam/Kam No. No.	Thickness Tjocklek	Screw Skruv
Pumotype-Pump nr. + hekkycode	10-35205-01	01-42389	1/1	5.3 05-04-115
Pumtyp: Pump nr. + hekkod	10-35205-01	01-42388	2/3	4.0 05-04-114

* 12	6-6	Skruv			0504550*05-04-117
* 11	1	Gasket			01-42445
10	6	Skruv			05-04-176
9	1	Skruv			05-04-124
8	1	Skruv			See table
7	1	Bussning			01-45397
6	1	Gasket			01-42391
5	1	Endcover			01-42388-2
4	1	Impeller			08-810 B
3	1	Cam			See table
2	1	Shaft			01-45709
1	1	Body			01-35143-2

Part No. Del nr.	Antal	Description Beskrivning	Material	Dimension	Draw No. Retn nr.
* This drawing is the property of JP. Protected in accordance with prevailing law. Denna ritning är JP:s egendom. Skyddad enligt gällande lag.					
* Tolerance unless otherwise noted Tolerans om ej annat anges					
* Sharp edges broken Skarpa kanter brytes					
* Unmachined surfaces Omachade ytor					
* Bore not permitted Borrad håls etc					
* Graduated for ± IT 14/2					
* Radius unless otherwise noted Rädius om ej annat anges					
* Datum 84-02-2					
* Sign. S.					
* Scale 1:1					
* Draw No 10-35205/P02					
* Retn nr 10-35205/P02					

F7B-Shaft to be cut off  
 F7B-Axel kapas

221	P02	Mark on endcover changed.	960613	JG
P01	10-35205-02	titlk.	880414	TE
Alt nr	Andr nr	Revision	Datum	Sign
		Ändring		