

Viking Thrudeck & Bulkhead

ALWAYS A WORKING PUMP FOR YOUR SAFETY

When the power is out you can always depend on the Viking hand-operated diaphragm bilge pump from SPX Johnson Pump. The pump is available in two models for various installation alternatives. It can be mounted behind walls, through deck and under bulkheads.

Viking Thrudeck and Viking Bulkhead are designed for the best pump efficiency using the slightest effort. Due to angled valves the pump resistance is very small. The capacity is approximately 95 liters/minute.

The diaphragm pump is easy to install. There are built-in nuts for mounting behind walls or through bulkheads. All you have to do is to drill a 3 1/2" hole for the lever and four small holes for the screws.

The Viking Bilge Pump can also be used for pumping toilet waste due to the large valve openings. Since all elastomers are made of nitrile, the Viking pump is also suitable as refuelling pump for diesel.



Features & Benefits

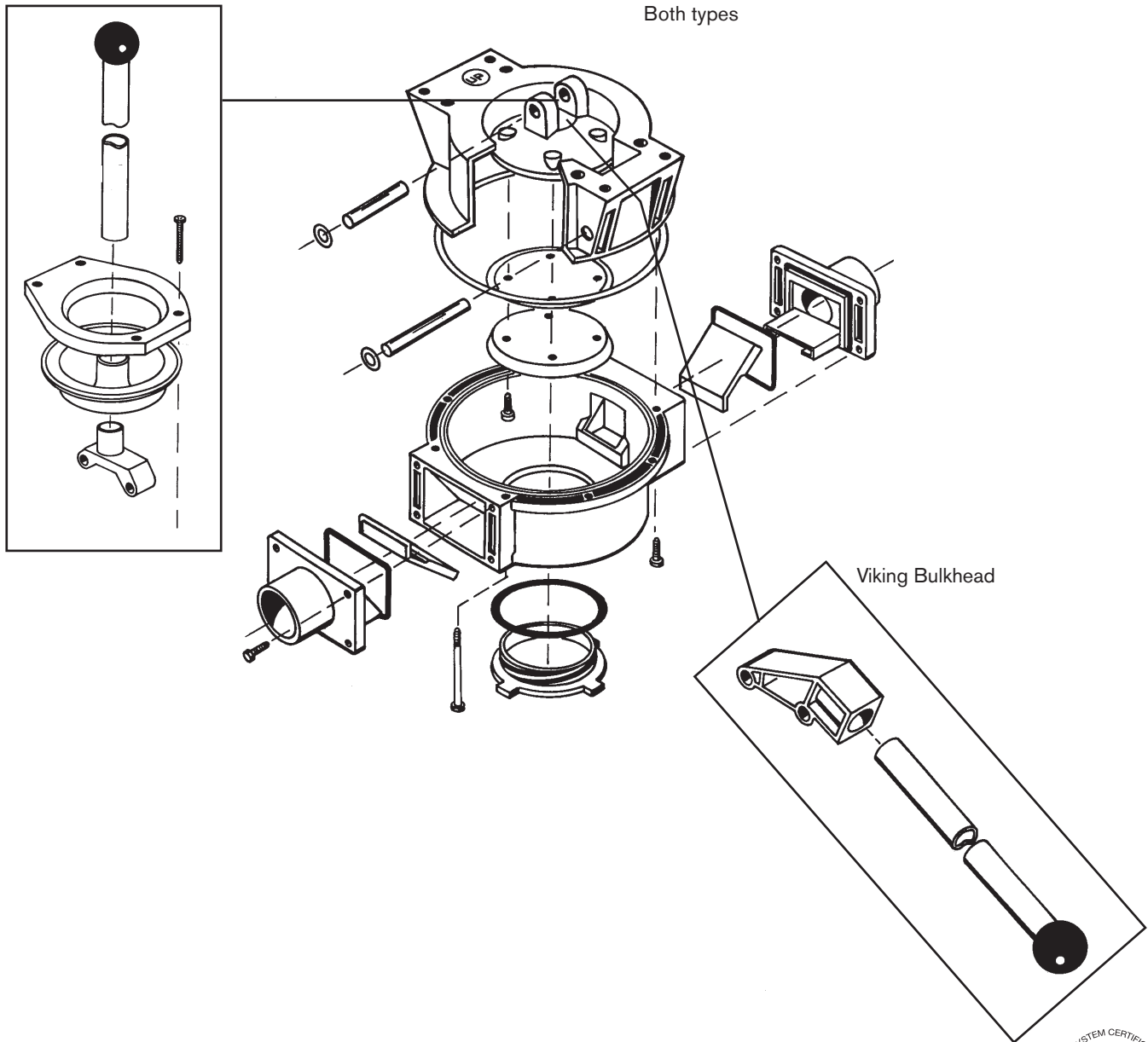
- Viking Thrudeck – For mounting through deck or through bulkhead
- Viking Bulkhead – For mounting on bulkhead or deck
- Dimensions:

Dia	164 mm
Height	133 mm
Handle length	285 mm
- Connections for either 1.1/2" or 1" hose
- Detachable lever
- Lever can be mounted in 8 different positions compared with the flow direction
- Inspection cover for easy cleaning
- Screws and shaft in stainless steel
- Nitrile rubber details

Available models

PART NO.	DESCRIPTION
70-50005	VIKING THRUDECK 1.½"
70-50025	VIKING THRUDECK 1"
70-50007	VIKING BULKHEAD 1.½"
70-50027	VIKING BULKHEAD 1"

Viking Thrudeck



SPX Flow Technology Sweden AB, P.O.Box 1436, SE-701 14 Örebro, Sweden
 P: +46 (0)19 21 83 00 F: +46 (0)19 27 23 72 E: johnson-pump.marine@spx.com

For more information about our worldwide locations, approvals, certifications, and local representatives, please visit www.spx.com.

SPX Corporation reserves the right to incorporate our latest design and material changes without notice or obligation. Design features, materials of construction and dimensional data, as described in this bulletin, are provided for your information only and should not be relied upon unless confirmed in writing.

JP-930-GB Version: 01/2013 Issued: 05/2013 COPYRIGHT © 2012 SPX Corporation