

Little GIANT[®]

Pump Company

3-MD-SC



Features

- Thermally Protected, Open, Fan Cooled Motor
- Ball Bearings
- 6' Power Cord with 3-Prong Plug (No plug on 230V)
- Specific Gravity to 1.1
- Fluid Temperature to 150 Degrees F.
- Ambient Air Temperature to 77 Degrees F.
- NOTE: Consult your local distributor or the factory for applications with higher ambient temperatures, specific gravities and viscosities.

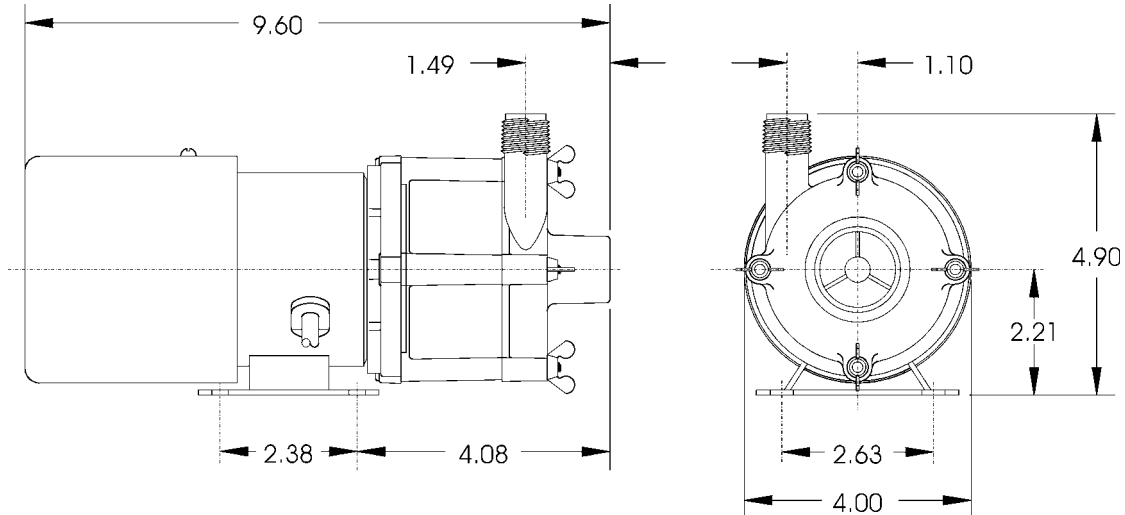
Construction

- Volute — Glass-filled Polypropylene
- Housing — Glass-filled Polypropylene
- Impeller — Glass-filled Polypropylene
- Shaft — Ceramic
- Thrust Washers — Ceramic
- O-Ring - Nitrile

The Little Giant MD-SC series features leakproof, seal-less magnetic drives and are designed for in-line, non submersible use. Volute, magnet housing and impeller are glass-filled polypropylene for excellent chemical resistance. Ceramic shaft and thrust washers are 99.5% pure alumina for excellent wear and trouble-free service. Pumping heads are easily rotated, cleaned or serviced with no special tools required. Spindle shaft is supported at both ends to prevent impeller damage during start-up and stop of pump.

Little Giant Pump Co.

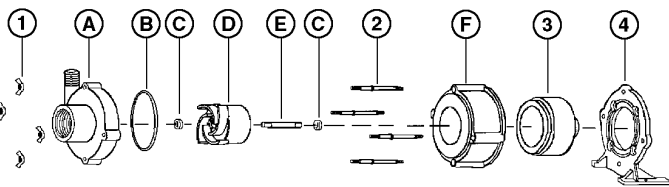
3-MD-SC



NOTE: Designs and dimensions may vary for various reasons (i.e. type of motor). This information should be used as general guide rather than an unqualified guarantee. Specifications are subject to change without prior notice.

Specifications

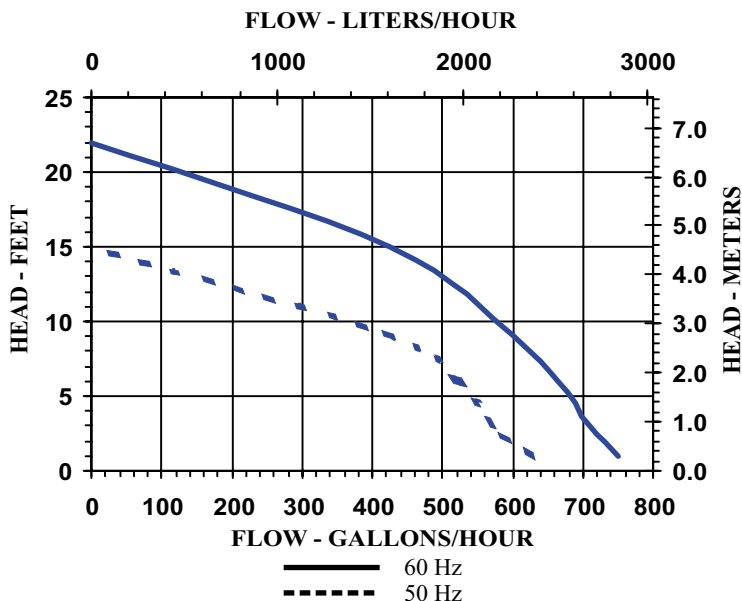
| Model No. | Item No. | Intake | Discharge | Listing(s) | HP | Volts | Hertz | Amps | Watts | Performance (GPH @ Head) | | | | | Shut Off | | Pwr. Cord (ft) | Weight (Lbs.) |
|-----------|----------|-----------|-----------|------------|------|-------|-------|------|-------|--------------------------|-----|-----|-----|-----|----------|-----|----------------|---------------|
| | | | | | | | | | | 1' | 3' | 6' | 9' | 15' | Feet | PSI | | |
| 3-MD-SC | 581503 | 3/4" FNPT | 1/2" MNPT | UR/C-CSA | 1/12 | 115 | 60 | 2.4 | 190 | 750 | 710 | 665 | 600 | 425 | 21.9 | 9.5 | 6 | 8.5 |
| 3-MD-SC | 581513 | 3/4" FNPT | 1/2" MNPT | UR/C-CSA | 1/12 | 230 | 60 | 1.2 | 190 | 750 | 710 | 665 | 600 | 425 | 21.9 | 9.5 | 6 | 8.5 |
| 3-MD-SC | 581576 | 3/4" FNPT | 1/2" MNPT | UR | 1/12 | 230 | 50 | 1.7 | 205 | 625 | 570 | 520 | 430 | | 15 | 6.5 | 6 | 7.70 |
| 3-MD-SC | 581597 | 3/4" FNPT | 1/2" MNPT | | | | | | | | | | | | | 0.0 | 6 | 2.00 |



Replacement Parts

| ITEM | PART NO. | DESCRIPTION |
|------|----------|----------------|
| A | 181203 | Volute |
| B | 924007 | O-Ring |
| C | 921077 | Thrust Washer |
| D | 181140 | Impeller |
| E | 180057 | Shaft |
| F | 182005 | Housing |
| 1 | 920003 | Wing Nut |
| 2 | 911403 | Stud, Collared |
| 3 | 182602 | Drive Magnet |
| 4 | 180037 | Mtg. Bracket |

Note: Parts A-F Contact Fluid.



Little Giant Pump Co.
 PO Box 12010 Phone: 405.947.2511
 Okla. City, OK 73157 Fax: 405.228.1550
www.LittleGiantPump.com