

Little GIANT[®]

Pump Company

PE-1.5-MDI-SC



Features

- Thermally Protected, Epoxy Encapsulated Motor
- FOR SUBMERSIBLE USE ONLY
- 6' Power Cord with 3-Prong Plug
- Specific Gravity to 1.1
- Fluid Temperature to 77 Degrees F.
- NOTE: Consult your local distributor or the factory for applications with higher ambient temperatures, specific gravities and viscosities.

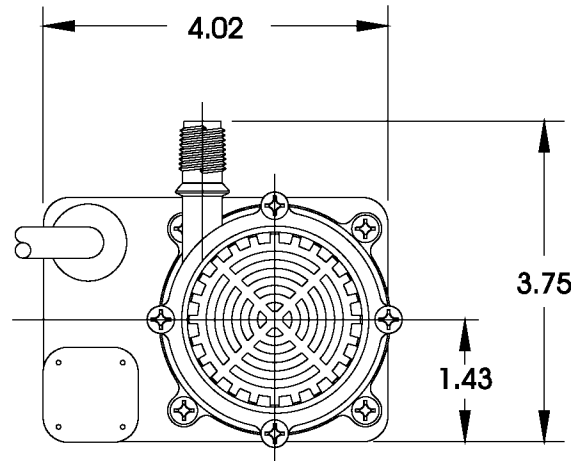
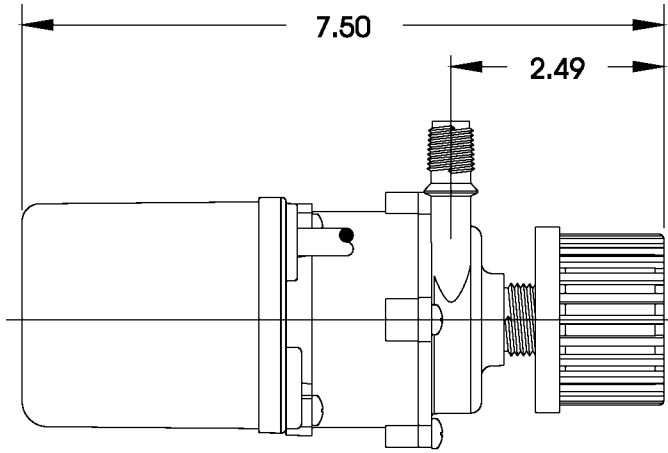
Construction

- Volute — Glass-filled Polypropylene
- Magnet Housing — Glass-filled Polypropylene
- Impeller — Glass-filled Polypropylene
- Shaft — Ceramic
- Thrust Washers — Ceramic
- O-Ring — Nitrile
- Motor Housing — Polyester/Polyethylene/
Epoxy/PVC

The Little Giant PE-1.5-MDI-SC series features leakproof, seal-less magnetic drives and are designed for submersible use only. Volute, magnet housing and impeller are glass-filled polypropylene for excellent chemical resistance. Ceramic shaft and thrust washers are 99.5% pure alumina for excellent wear and trouble-free service. Pumping heads are easily rotated, cleaned or serviced with no special tools required. Spindle shaft is supported at both ends to prevent impeller damage during start-up and stop of pump.

Little Giant Pump Co.

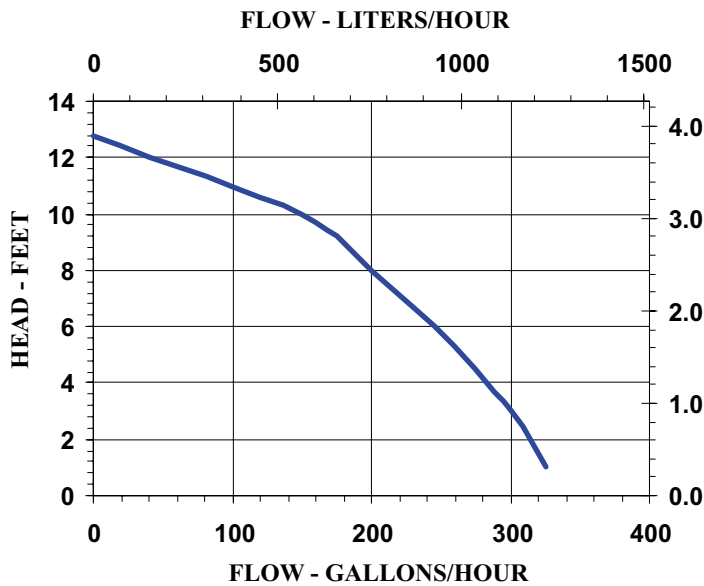
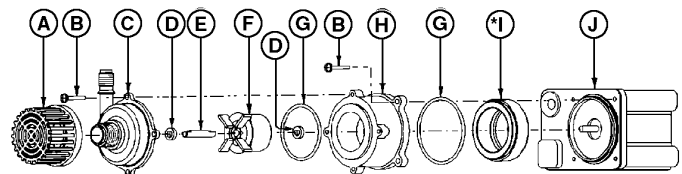
PE-1.5-MDI-SC



NOTE: Designs and dimensions may vary for various reasons (i.e. type of motor). This information should be used as general guide rather than an unqualified guarantee. Specifications are subject to change without prior notice.

Specifications

| Model No. | Item No. | Intake | Discharge | Listing(s) | HP | Volts | Hertz | Amps | Watts | Performance (GPH @ Head) | | | | | Shut Off Feet | Pwr. PSI | Pwr. Cord (ft) | Weight (Lbs.) |
|---------------|----------|-----------|-----------|------------|------|-------|-------|------|-------|--------------------------|-----|-----|-----|-----|---------------|----------|----------------|---------------|
| | | | | | | | | | | 1' | 3' | 6' | 8' | 10' | | | | |
| PE-1.5-MDI-SC | 589204 | 1/2" MNPT | 1/4" FNPT | UR/C-CSA | 1/35 | 115 | 60 | 0.9 | 63 | 325 | 300 | 245 | 200 | 150 | 12.8 | 5.5 | 6 | 5.00 |



Replacement Parts

| ITEM | PART NO. | DESCRIPTION |
|------|----------|---------------------|
| A | 118913 | Screen |
| B | 902402 | Screw |
| C | 189003 | Volute |
| D | 921077 | Thrust Washer |
| E | 189042 | Shaft |
| F | 189010 | Impeller |
| G | 924134 | O-Ring (Volute) |
| G | 924133 | O-Ring (Motor Hsg.) |
| H | 189045 | Housing |
| I | 189028 | Drive Magnet |

Little Giant Pump Co.

PO Box 12010
Okla. City, OK 73157

Phone: 405.947.2511
Fax: 405.228.1550

www.LittleGiantPump.com