
PES-A-PW SERIES



Features

- Energy efficient
- Corrosion resistant body
- Built-in flow control
- 6' power cord
- 2.1' maximum lift
- 5 watts
- Discharge accepts 3/8" or 1/2" I.D. tubing

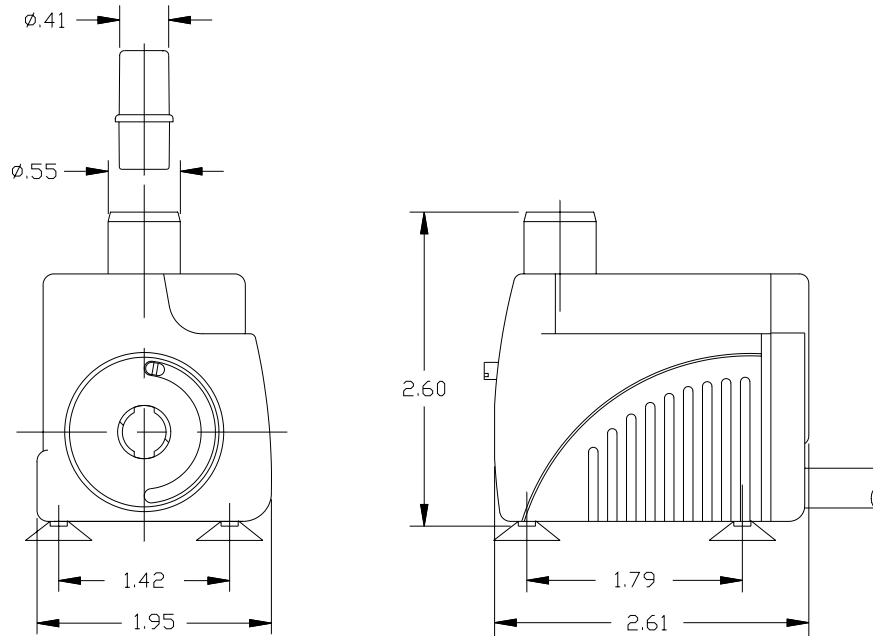
Construction

- Motor — Wet-Rotor (Hysteresis) Epoxy Encapsulated
- Intermittent Liquid Temp. up to — 120° F
- Discharge — 3/8" or 1/2" Slip
- Housing — Glass filled polyester
- Cover — Glass filled polyester
- Volute — ABS
- Impeller — Polyester
- Screen — ABS

This wet-rotor pump, often referred to as a magnetic-drive pump by other manufacturers, utilizes an epoxy-encapsulated motor and plastic housing. A permanent magnet is attached to the impeller. The magnet acts as the rotor would in a conventional motor. The water being pumped surrounds the rotor, thus the term "wet-rotor". It is seal-less and oil-less. This pump works well in water garden, statuary and some industrial applications. It is compact in design and is the most energy efficient type of pump Little Giant manufactures. The other side of this efficiency is very little starting torque. Therefore, the pump does not produce as much pressure and will not pump water as high as its epoxy-encapsulated, direct-drive counterpart.

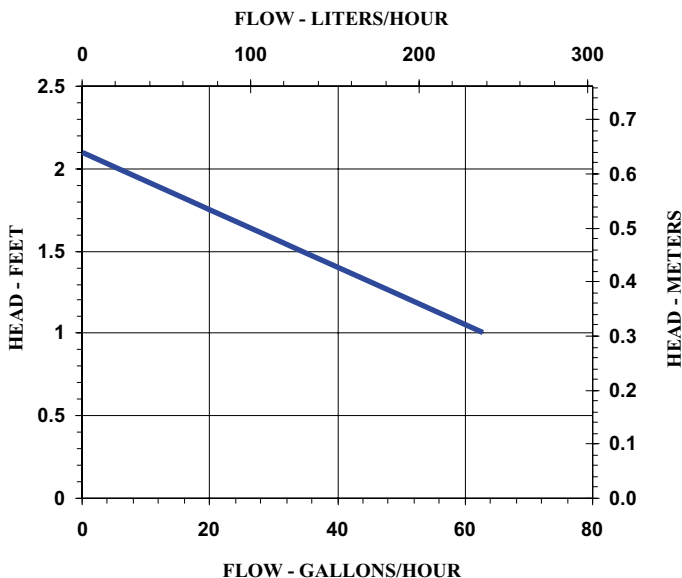
Little Giant Pump Co.

PES-A-PW SERIES



Specifications

Model No.	Item No.	Discharge	Listings	HP	Volts	Hertz	Amps	Watts	Performance (GPH @ Head)		Shut Off Feet	PSI	Pwr. Cord (ft)	Weight (Lbs.)
									1'					
PES-A-PW	566603	3/8" or 1/2" Slip	UL/CSA	N/A	115	60	0.1	5	63		2.1	0.9	6	1.00
PES-A	519550	3/8" or 1/2" Slip	UL/CSA	N/A	115	60	0.1	5	63		2.1	0.9	6	1.00



Replacement Parts

Filter, Foam	119551
Plate, Filter	119552
Impeller Assy	599088
Screen	119554
Volute/Plate	119556
Feet/Discharge	119557

Little Giant Pump Co.

PO Box 12010
Okla. City, OK 73157

Phone: 405.947.2511
Fax: 405.228.1550

www.LittleGiantPump.com