

# Little GIANT<sup>®</sup>

## Pump Company

### TE-7-MD-HC



#### Features

- Thermally Protected, Totally Enclosed, Fan Cooled, Capacitor Start Motor
- Ball Bearings
- Conduit Box (Must be field wired)
- Specific Gravity to 1.1
- Fluid Temperature to 200 Degrees F.
- Ambient Air Temperature to 77 Degrees F.
- NOTE: Consult your local distributor or the factory for applications with higher ambient temperatures, specific gravities and viscosities.

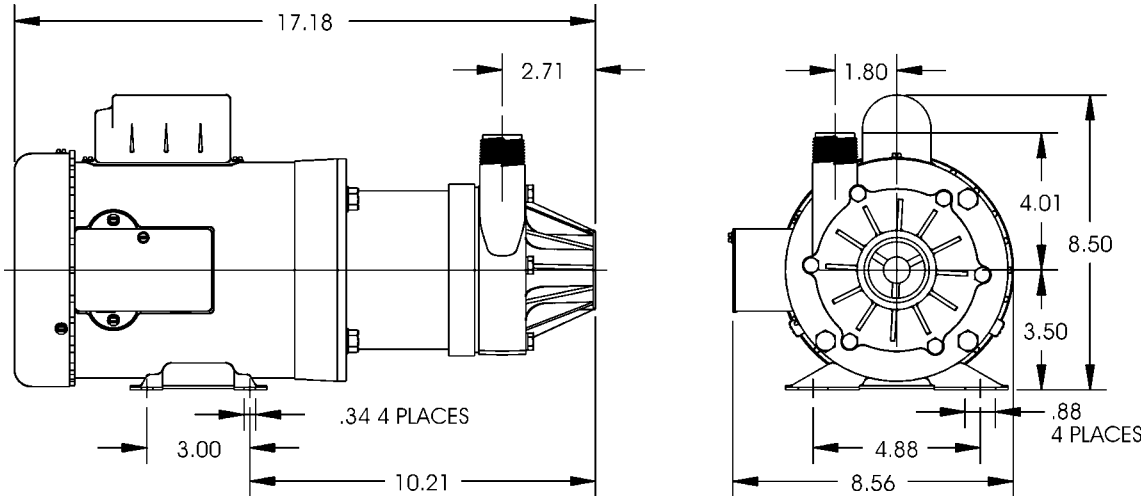
#### Construction

- Volute — Glass-filled Ryton<sup>®</sup>
- Backplate — Glass-filled Ryton<sup>®</sup>
- Impeller — Glass-filled Ryton<sup>®</sup> with Carbon Bushing
- Shaft — Ceramic
- Thrust Washers — Ceramic
- O-Ring — Viton<sup>®</sup>

The Little Giant MD-HC series features leakproof, seal-less magnetic drives and are designed for in-line, non submersible use. Volute, magnet housing and impeller are glass-filled Ryton<sup>®</sup> for excellent chemical resistance. Ceramic shaft and thrust washers are 99.5% pure alumina for excellent wear and trouble-free service. Pumping heads are easily rotated, cleaned or serviced with no special tools required. Spindle shaft is supported at both ends to prevent impeller damage during start-up and stop of pump.

# Little Giant Pump Co.

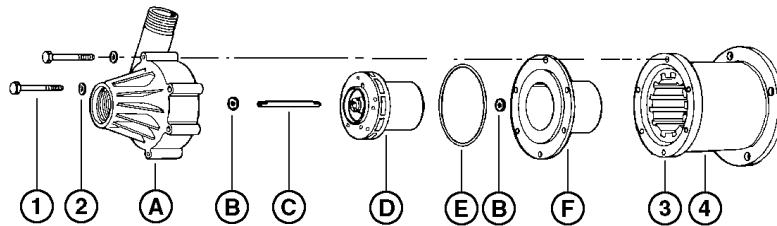
## TE-7-MD-HC



NOTE: Designs and dimensions may vary for various reasons (i.e. type of motor). This information should be used as general guide rather than an unqualified guarantee. Specifications are subject to change without prior notice.

### Specifications

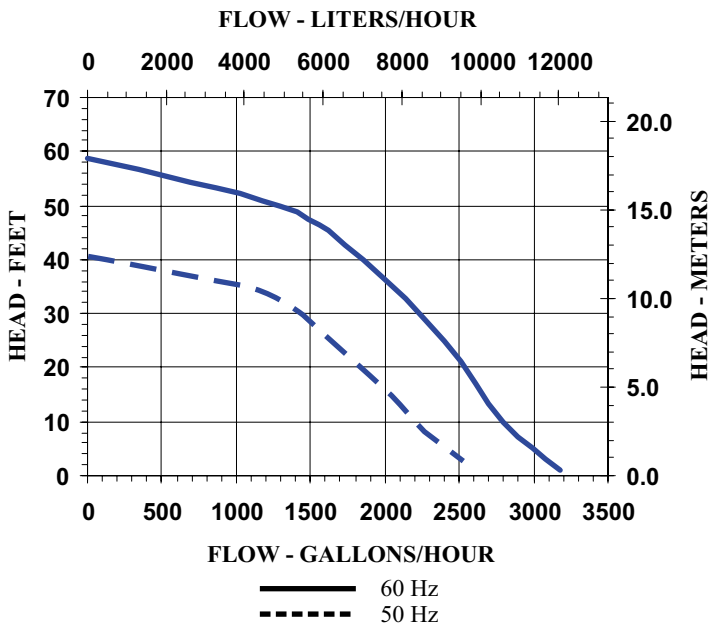
Model No.	Item No.	Intake	Discharge	Listing(s)	HP	Volts	Hertz	Amps	Watts	Performance (GPH @ Head)					Shut Off		Pwr. Cord (ft)	Weight (Lbs.)
										1'	10'	25'	40'	50'	Feet	PSI		
TE-7-MD-HC	587010	1-1/2" FNPT	1" MNPT	UR/C-CSA	3/4	115	50/60	10.4/11.8	1080/1230	3180	2800	2400	1850	1300	58.9	25.5	N/A	40.00
TE-7-MD-HC	587040	1-1/2" FNPT	1" MNPT	UR/C-CSA	3/4	230	50/60	5.2/5.9	1080/1230	3180	2800	2400	1850	1300	58.9	25.5	N/A	40.00
TE-7-MD-HC	3 Phase					460	50/60	1.2/1.45	1080/1230									
7-MD-HC	587103	1-1/2" FNPT	1" MNPT															8.00



### Replacement Parts

ITEM	PART NO.	DESCRIPTION
A	187005	Volute
B	187085	Thrust Washer
C	187056	Shaft
D	187172	Impeller
E	924016	O-Ring
F	187023	Backplate
1	903712	Bolt
2	921050	Washer
3	187121	Drive Magnet
4	187073	Mtg. Bracket

Note: Parts A-F Contact Fluid.



**Little Giant Pump Co.**  
 PO Box 12010  
 Okla. City, OK 73157  
 Phone: 405.947.2511  
 Fax: 405.228.1550  
[www.LittleGiantPump.com](http://www.LittleGiantPump.com)