

ELECTRIC MOTOR DRIVEN END SUCTION CENTRIFUGAL

ACE-S



ACE-S SERIES CENTRIFUGAL PUMPS SQUARE FLANGE (1/2 HP - 2 HP)

Ideal for booster and lift applications for irrigation.

POWER - 3600 RPM, single phase; square flange motors.

PORTS - For air bleeding when priming; for draining to prevent frost damage.

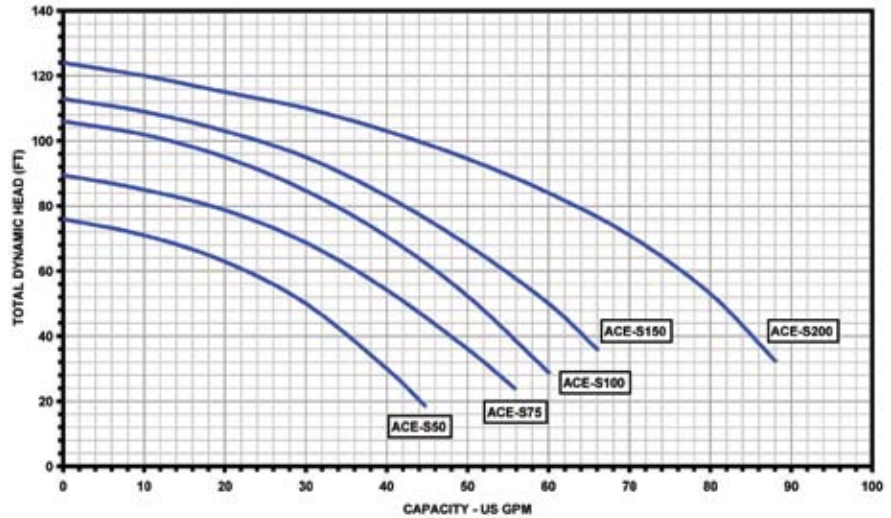
SHAFT FLINGER - Combined with large drain hole in adapter bracket prevents moisture from damaging bearings.

SEAL - Standard Buna with carbon-ceramic mechanical seal.

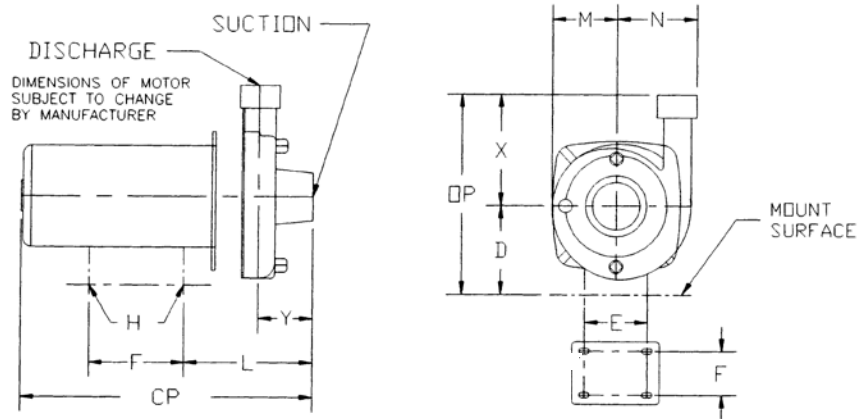
CASING - Cast gray iron, thick wall.

IMPELLER - Enclosed glass filled Noryl impeller with reinforced SS hub, providing a smooth surface for high efficiency.

Performance



Dimensions



Water Systems

Sump and Sewage

Lawn and Sprinkler

Electric Motor Driven

Engine Driven

Frame Mount

Hand Pumps

Irrigation and Industrial

PERFORMANCE CHART										
HP	Total Head in Feet									
	20	30	40	50	60	70	80	100	120	
	Capacities in U.S. GPM									
1/2	46	38	32	24	15	-	-	-	-	-
3/4	55	52	47	38	32	25	15	-	-	-
1	60	57	54	49	44	39	32	12	-	-
1 1/2	67	65	63	59	54	49	39	24	-	-
2	104	97	92	88	81	75	66	48	15	-

Model	Suct. NPT	Disch. NPT	CP	D	Information for Mounting									
					E	F	H 4 Slots	L	M	N	OP	X	Y	
ACE-S50SD	1 1/4	1	13.75	4.00	4.88	3.00	7/16x15/16	5.53	3.69	4.00	8.90	4.90	2.63	
ACE-S75SD			14.07											
ACE-S100SD			15.57											
ACE-S150SD			15.90											
ACE-S200SD	1 1/2	1 1/4	15.82	4.46	4.88	3.00	-	5.88	4.12	4.72	10.78	6.31	2.88	

*Dimensions measured in inches

ACE-S SERIES - ELECTRIC MOTOR DRIVEN							
Model No.	Order No.	HP	Suct. NPT	Disch. NPT	Electrical Characteristics	Ship Wt. (lbs.)	Description
ACE-S50SD	614561	1/2	1 1/4"	1"	1/60/115/230V	31	Single phase motors have built-in thermal overload protection and higher than NEMA service factor up to 2 HP only. All have stainless steel shafts or a replaceable sleeve.
ACE-S75SD	614562	3/4	1 1/4"	1"	1/60/115/230V	32	
ACE-S100SD	614563	1	1 1/4"	1"	1/60/115/230V	37	
ACE-S150SD	614564	1 1/2	1 1/4"	1"	1/60/115/230V	42	
ACE-S200SD	614565	2	1 1/2"	1 1/4"	1/60/115/230V	46	

ELECTRIC MOTOR DRIVEN END SUCTION CENTRIFUGAL



ACE SERIES END SUCTION CENTRIFUGAL PUMP WITH C-FACE MOTOR (1/2 HP - 2 HP)

Ideal for hot water circulation transfer as well as irrigation and industrial applications.

POWER - 3600 RPM, single phase, C-face industry standard motors.

PORTS - For air bleeding when priming; for draining to prevent frost damage.

SHAFT FLINGER - Combined with large drain hole in adapter bracket prevents moisture from damaging bearings.

SEAL - High temperature (200°F) mechanical seals are standard on the ACE series.

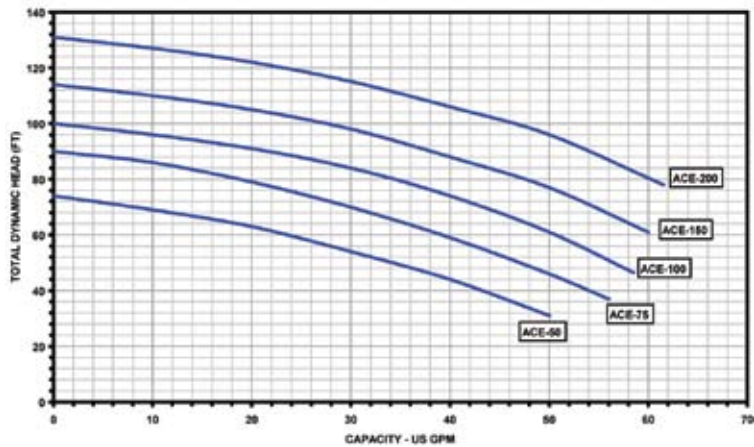
CASING - Cast gray iron, thick wall.

IMPELLER - The ACE series use cast gray iron impellers.

LESS POWER (KITS)						
Model	Order No.	HP	Suct. NPT	Disch. NPT	Frame Size	Ship Wt. (lbs.)
ACE-50LP	615037	1/2	1 1/4"	1"	*56J	10
ACE-75LP	615047	3/4	1 1/2"	1 1/4"	*56J	10
ACE-100LP	615057	1	1 1/2"	1 1/4"	*56J	10
ACE-150LP	615068	1 1/2	2"	1 1/2"	*56J	12
ACE-200LP	615076	2	2"	1 1/2"	*56J	12

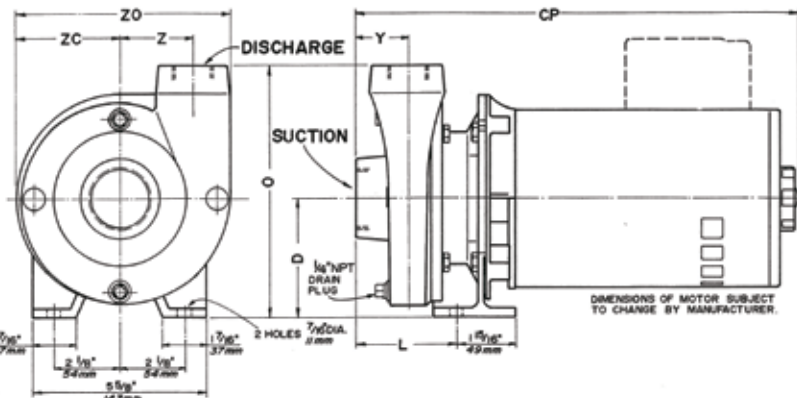
*Pumps use 56J C face motors.

Performance



PERFORMANCE CHART									
HP	Total Head in Feet								
	20	30	40	50	60	70	80	100	120
Capacities in U.S. GPM									
1/2	-	51	43	35	24	8	-	-	-
3/4	-	-	54	47	39	30	19	-	-
1	-	-	60	56	51	44	34	1	-
1 1/2	-	-	-	-	60	55	48	27	-
2	-	-	-	-	-	-	61	46	23

Dimensions



Model	Suction NPT	Discharge NPT	CP	D	L	O	Y	Z	ZC	ZO
ACE-50	1 1/4"	1"	12.56	3.81	3.25	8.06	1.69	2.41	3.38	7.06
ACE-75	1 1/2"	1 1/4"	13.94							
ACE-100			14.25	4.81	3.56	8.81	1.88	2.66	3.75	7.75
ACE-150			15.13							
ACE-200			15.63							

*Dimensions measured in inches

ACE SERIES - ELECTRIC MOTOR DRIVEN

Model No.	Order No.	HP	Suct. NPT	Disch. NPT	Electrical Characteristics	Ship Wt. (lbs.)	Description
ACE-50	615030	1/2	1 1/4"	1"	1/60/115/230V	32	C-Face jet pump motors, cast iron impeller, and high temp EPDM seal (200°F)
ACE-75	615040	3/4	1 1/2"	1 1/4"	1/60/115/230V	36	
ACE-100	615050	1	1 1/2"	1 1/4"	1/60/115/230V	39	
ACE-150	615060	1 1/2	2"	1 1/2"	1/60/115/230V	47	
ACE-200	615070	2	2"	1 1/2"	1/60/115/230V	53	

ACE

Water Systems

Sump and Sewage

Lawn and Sprinkler

Electric Motor Driven

Engine Driven

Frame Mount

Hand Pumps

Irrigation and Industrial

ELECTRIC MOTOR DRIVEN END SUCTION CENTRIFUGAL

ACE - 300 & 500

Water Systems

Sump and Sewage

Lawn and Sprinkler

Electric Motor Driven

Engine Driven

Frame Mount

Hand Pumps

Irrigation and Industrial



ACE - 300 & 500 SERIES

END SUCTION
CENTRIFUGAL PUMPS
JM FRAME (3 HP - 5 HP)

POWER - 3600 RPM, single and three phase industry standard JM motors.

PORTS - For air bleeding when priming; for draining to prevent frost damage.

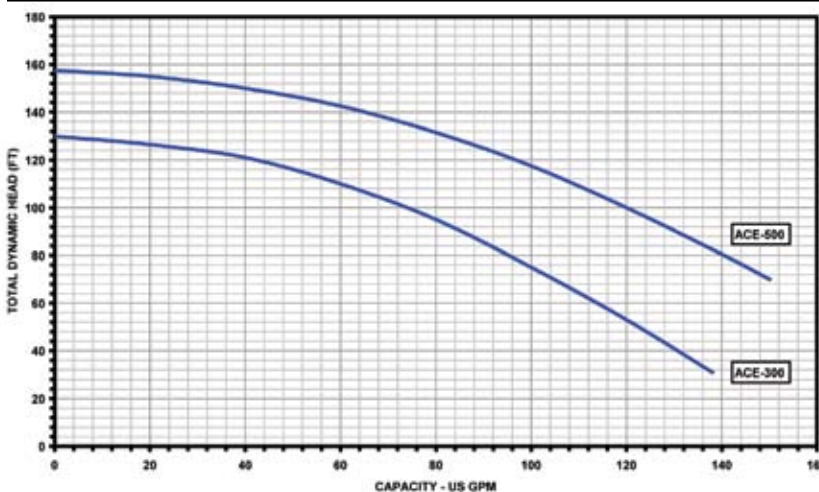
SHAFT FLINGER - Combined with large drain hole in adapter bracket prevents moisture from damaging bearings.

SEAL - High temperature 200° F mechanical seal.

CASING - Cast gray iron, thick wall.

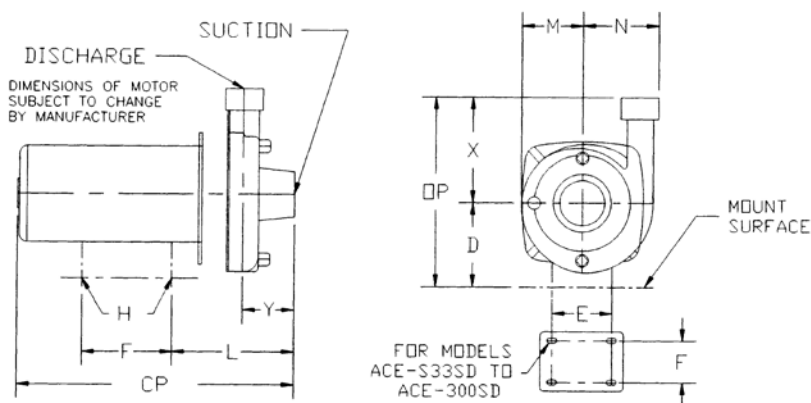
IMPELLER - Enclosed cast gray iron impellers.

Performance



HP	Total Head in Feet										
	20	30	40	50	60	70	80	100	120	140	160
3	145	140	132	124	116	110	104	82	62	-	-
5	172	172	170	165	162	160	156	135	110	82	15

Dimensions



Model	Suct. NPT	Disch. NPT	CP	D	E	F	L	M	N	OP	X	Y
ACE-300	2"	2"	17.25	4.99	5.75	-	8.79	4.12	5.69	10.37	6.31	3.25
ACE-500	2"	2"	19.00	4.05	7.50	5.50	8.79	4.12	5.69	10.37	6.31	3.25

*Dimensions measured in inches

LESS POWER (KITS)

Model	Order No.	HP	Suct. NPT	Disch. NPT	Frame Size	Ship Wt. (lbs.)
ACE-300LP	614995	3	2"	2"	145JM	33
ACE-500LP	614996	5	2"	2"	182/184JM	55

ACE SERIES - ELECTRIC MOTOR DRIVEN

Model No.	Order No.	HP	Suct. NPT	Disch. NPT	Electrical Characteristics	Ship Wt. (lbs.)	Description
ACE-300SD	614571	3	2"	2"	1/60/230V	83	JM motor frame, and cast iron impeller.
ACE-300-3SD	614567	3	2"	2"	3/60/208-230/460V	83	
ACE-500SD	614569	5	2"	2"	1/60/230V	134	
ACE-500-3SD	614570	5	2"	2"	3/60/208-230/460V	129	