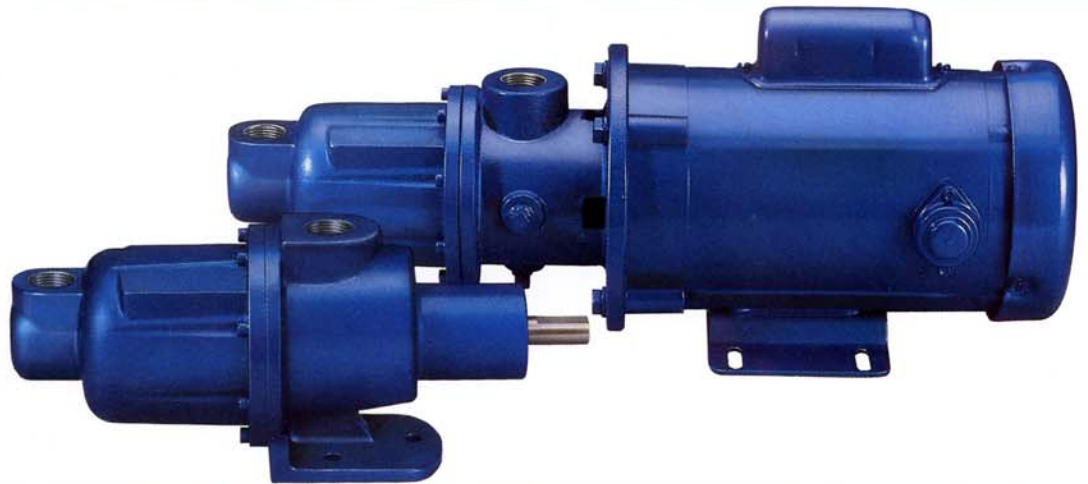


# MOYNO® 500

Progressing Cavity Pumps



CERTIFICATE No. 101442



**MOYNO**

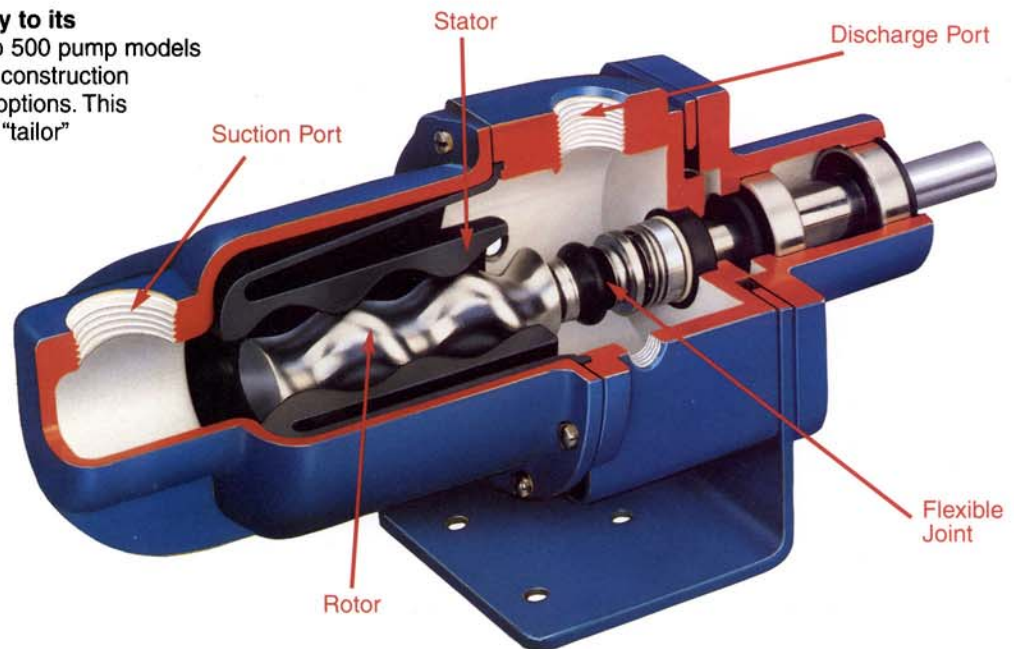
*Always the Right Solution™*

# Moyno® 500 Pumps: Outstanding Benefits for Unsurpassed Value!

Why choose Moyno 500 pumps over other pumps for commercial and general purpose industrial applications? The answer lies in the many benefits Moyno 500 pumps offer – an outstanding combination of performance enhancing advantages that other types of pumps simply cannot match. Here are just some of the benefits you can enjoy with Moyno 500 pumps:

- **Assure yourself of proven pump design.** Moyno 500 pumps are pre-engineered and thoroughly tested, with designs that have proven themselves in scores of applications year after year. With Moyno 500 pumps, you know up front that they will perform for you.
- **Match your pump precisely to its application.** Over 70 Moyno 500 pump models are available, in a variety of construction materials, with many pump options. This broad offering allows you to "tailor" a Moyno 500 pump to the specific needs of your application.
- **Place your pump where you need it the most.** Moyno 500 pumps combine high performance with efficient size. These compact, lightweight pumps fit in tight or difficult spaces, giving you more installation flexibility.
- **Use the pump drive source of your choice.** Moyno 500 pumps are available in both motorized models and non-motorized versions that work with various drive sources. You not only choose the pump you need, you also choose how to power it.
- **Eliminate priming.** As long as there is material in the suction line, Moyno 500 pumps are self priming.
- **Eliminate excessive operating noise.** Moyno 500 pumps operate quietly...the only sound you hear is the low hum of the drive motor. That makes it comfortable to work around a Moyno 500 pump installation. It also contributes to the overall quiet operation of OEM equipment into which the pump is installed.

- **Ensure steady, repeatable flow.** Moyno 500 pumps provide accurate, repeatable, non-pulsating, low-shear flow which remains steady even under wide variations in suction head.
- **Reduce pump maintenance.** With premium components, you rarely need to repair a Moyno 500 pump. When you do, design simplicity allows you to make the repairs quickly using standard tools. There are no valves to stick or wear out and no timing gears to align, saving you time and money.
- **Use the same pump for different applications.** For ultimate versatility, you can use the Moyno 500 pump in a wide variety of applications. Whether you are pumping



clean, clear liquids or viscous, abrasive, corrosive or solids-laden fluids, the Moyno 500 pump can handle the job.

- **Access industry-leading technology.** Choosing Moyno 500 pumps means access to Moyno's state-of-the-art manufacturing and developmental lab facilities plus nearly 60 years of progressing cavity pump design innovation. The result is product performance reliability you can depend on time after time.
- **Receive full-service support from local stocking distributors.** Moyno maintains a worldwide network of stocking distributors ready to assist you with applications information, product knowledge and extensive pump and replacement parts inventories. You receive fast, accurate solutions to your pumping needs. Your Moyno 500 pump receives first-rate support, no matter where you are located.

# The Moyno® 500 Pump Line

---

## 200 Series Pumps

- Capacities to 5 GPM
- Pressures to 40 PSI
- Compact size
- Motorized and non-motorized models
- Dual, heavy-duty ball bearings, fully sealed and pre-lubricated
- Mechanical seal



## 300 Series Pumps

- Capacities to 15 GPM
- Pressures to 150 PSI
- Interchangeable rotors and stators
- Fluid temperature range to 210°F
- Packing gland or mechanical seals available
- Motorized and non-motorized models available



## 301 Series Pumps

- Capacities to 13 GPM
- Pressures to 25 PSI
- Phenolic housing and rotor for chemical corrosion resistance
- Reverse covered seal between rotor and shaft eliminates metal exposure to fluids
- Non-motorized with hose connections, resilient cushion and cradle mounting



## 356/367 Series Pumps

- Capacities to 50 GPM
- Pressures to 50 PSI
- Full range of elastomer materials
- Fluid temperatures to 240°F
- Packing and mechanical seals available
- Motorized and non-motorized models available



## 400 Series Grinder Pumps

- Capacities to 15 GPM
- Discharge to 100 PSI
- Cast iron cutter disk
- Replaceable carbide cutting tips
- Hardened tool-steel cutter ring



## 600 Series Pumps

- Capacities to 30 GPM
- High pressure and fluid viscosity capabilities
- Pressures to 600 PSI
- Reverse operation capability
- Packing or mechanical seals available



## How Moyno 500 Pumps Work

The progressing cavity design forms a series of sealed cavities 180 degrees apart. These cavities contain the pumped fluid. As the rotor turns, the cavities “progress” from the suction to the discharge end of the pump, carrying the pumped fluid with them. As one cavity decreases and empties itself of fluid, the opposite cavity increases at exactly the same rate, filling with fluid. The result is a constant, uniform, non-pulsating flow that provides low shearing action for minimum degradation of shear-sensitive materials and low velocity capabilities for effective pumping of viscous fluids.

### “Wobble” Stators

Most Moyno 500 pumps are equipped with an innovative “wobble” stator, a fully molded stator with an integral “skirt” separating the suction and discharge ends of the pump. This unique design actually increases the compression fit during operation between rotor and stator, for greater pumping performance. The wobble stator design can handle pressures to 150 PSI and is available on the Series 200, 300, 301, 356/367 and 400 pumps.



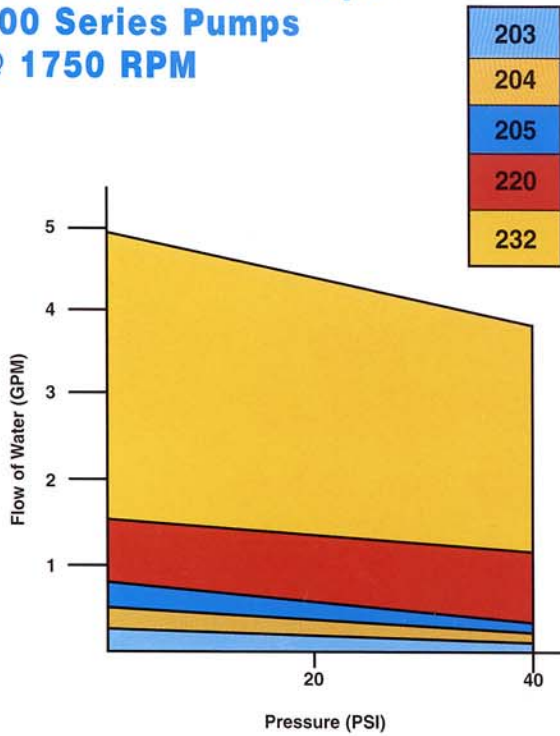
### “Tube” Stators

Moyno 500 pumps with a tube-type stator design can easily handle high-pressure pumping of heavy-duty industrial fluids. The tube-type design permits additional length to be added, increasing pressure capabilities for greater operating efficiencies. The tube stator design can handle pressures to 600 PSI, and is available on the Series 600 pumps.

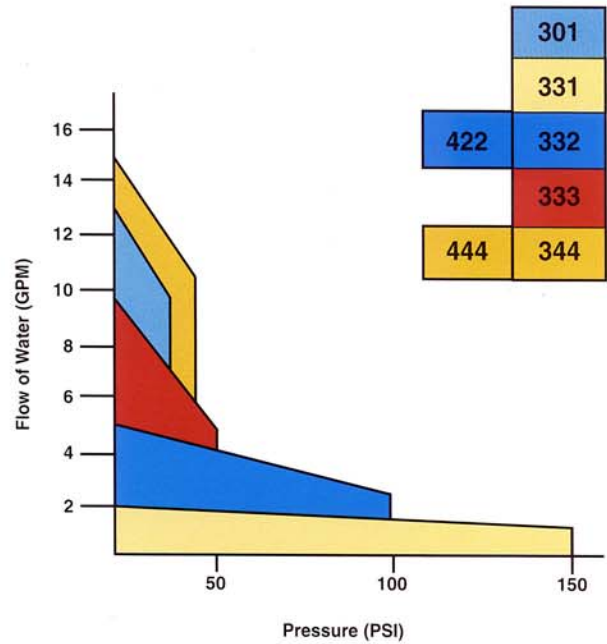


# Moyno® 500 Pump Performance

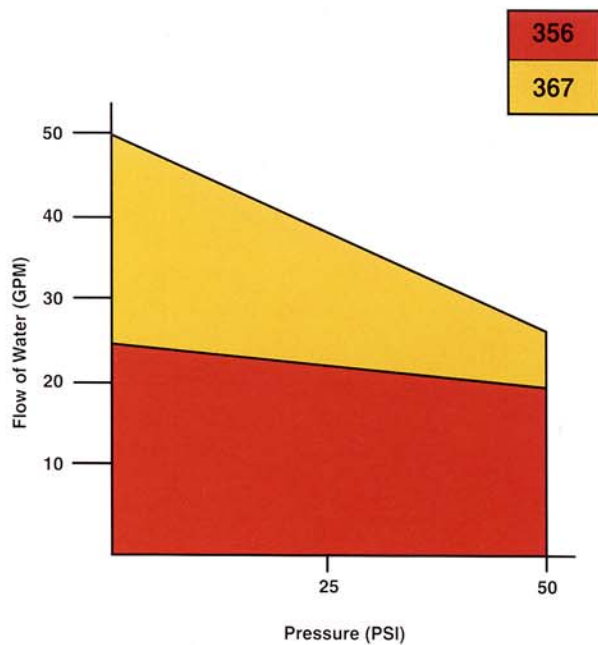
**Performance Envelope  
200 Series Pumps  
@ 1750 RPM**



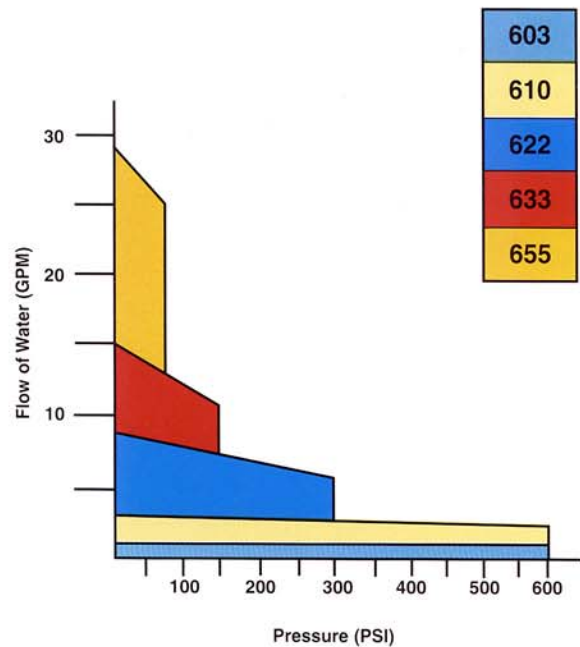
**Performance Envelope  
300/400 Series Pumps  
@ 1750 RPM**



**Performance Envelope  
356/367 Series Pumps  
@ 1750 RPM**



**Performance Envelope  
600 Series Pumps  
@ 1750 RPM**



# Application Versatility ... From A to Z

Versatile Moyno® 500 pumps are used in these and hundreds of other applications...

Abrasive chemicals and slurries	Emulsions	Jet fuel	Radar equipment
Agricultural spray wash systems	Emergency drainage	Kerosene	Raw and digested sewage
Airless paint sprayers	Explosives	Kitchen waste	Recreational facilities
Anti-freeze lubricants	Fabric coatings	Knit fabric mills	Reverse osmosis systems
Asphalt transfer	Feed additives	Laboratory testing	Roofing compounds
Batching systems	Fiberboard manufacturing	Lime slurries	Saline solution (hemodialysis machines)
Bilge pumps	Filtration systems	Liquid aluminum	Slurries (high solids content)
Boat and barge duty	Fuel transfer	Liquid manure	Spraying systems
Boiler feed (low pressure)	Garbage disposal	Lubricants	Sump pump-out
Bridge deck flooding	Glue	Machine tool coolants	Swimming pool drainage
Campground facilities	Grain mash slurries	Marine septic systems	Tank sump cleaning
Caulking	Grout	Metered injection systems	Thickened underflow
Centrifugal priming, scavaging and seal flush systems	Gum and wood chemicals	Mining operations	Titanium dioxide
Closed loop cooling systems	Heat pump supply	Molasses based feeds	Toner
Construction applications	Heat exchanger service	Nitric acid	Transfer applications
Dairy applications	Heavy crude	Non-ferrous metal	Urine (agriculture)
Dental suction	High-pressure feed/transfer systems	Nutrient additives	Vehicle wash down
Dirty oil	Home applications	OEM applications	Waste management
Drainage	Industrial circulation and transfer	Offshore drilling	Wastewater treatment
Drum transfer	Industrial waste and sewage sampling	Oil and sand	Water and sewage sampling
EDM dielectric fluids	Ink	Oil scum	Zebra mussel removal
Effluent sampling	Insecticides	Oily water separators	
		Paint	
		Pilot and prototype systems design	
		Pit de-watering	
		Polymer treatment	

For information about Moyno products or for technical assistance, write or call:

Moyno, Inc.  
P.O. Box 960  
Springfield, OH 45501-0960  
U.S.A.  
Telephone: .....1-877-4UMOYNO  
Facsimile: .....937-327-3572  
Web site: [www.moyno.com](http://www.moyno.com)

Note: Information contained herein is subject to change without notice. Before making a final product selection, please contact a Moyno representative.

**Your Moyno Authorized Distributor is:**

Bulletin 90-M



*Always the Right Solution™*